

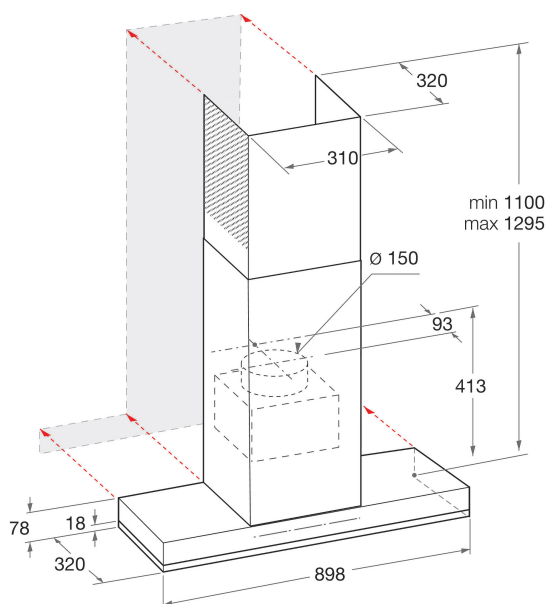
WHSS 90F TS K

12NC: 859991542330

GTIN (EAN) code: 8003437231018

Whirlpool

SENSING THE DIFFERENCE



MAIN FEATURES

Product group	Hood
Colour body	Black
Material body	Stainless steel
Colour chimney	Inox
Material chimney	Stainless steel
Typology	Wall-mounted
Installation type	Wall-mounted
Type of control	Electronic
Type of control settings	-
Decor panel options	Not possible
Motor location	Integrated motor in hood chimney
Operating Mode	Convertible
Electrical connection rating (W)	167
Current (A)	0,7
Voltage (V)	220-240
Frequency (Hz)	50/60
Length of Electrical Supply Cord (cm)	150
Plug type	Schuko
Chimney height (mm)	615
Height of product, without chimney (mm)	413
Height of the product	1100
Width of the product	898
Depth of the product	320
Minimum niche height	0
Minimum niche width	0
Niche depth	0
Net weight (kg)	23.2

TECHNICAL FEATURES

Type of manual control devices	Touch control
Type of automatic control devices	-
Number of motors	1
Total power of the motors (W)	160
Number of speed settings: boost option availability	Continuous
Boost presence	Yes
Maximum output air extraction (m ³ /h)	779
Boost position air extraction (m ³ /h)	779
Maximum output recirculating air (m ³ /h)	559
Boost position output recirculating (m ³ /h)	669
Light Control Type	Continuous
Number of lights	2
Type of lamps used	Strip LED
Total power of the lamps (W)	7
Diameter of air outlet (mm)	150
No-return airflow flap	Yes
Grease filter material	Washable stainless steel
Odour filter	Yes

PERFORMANCES

Sound power at min. speed (2010/30/EU)	43
Sound power at max. speed (2010/30/EU)	57
Noise level with boost position (dB(A) re 1 pW)	55