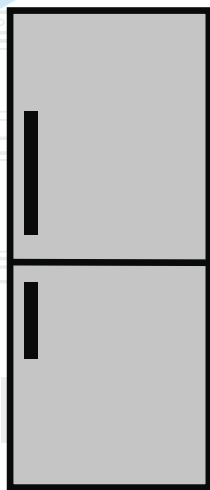


# Refrigerator Frigorifero Хладилник Hladilnik Ledusskapis Šaldytuvas Ладилник

Instruction of use  
Istruzioni per l'uso  
Инструкции за употреба  
Navodila za uporabo  
Lietošanas instrukcija  
Naudojimo instrukcija  
Упатство за употреба



BCSA285K2S

EN | IT | BG | SL | LV | LT | MK

**beko**



## Please read this manual first!

Dear Customer,

We hope that your product, which has been produced in modern plants and checked under the most meticulous quality control procedures, will provide you an effective service.

For this, we recommend you to carefully read the entire manual of your product before using it and keep it at hand for future references.




### This manual

- Will help you use your appliance in a fast and safe way.
- Read the manual before installing and operating your product.
- Follow the instructions, especially those for safety.
- Keep the manual in an easily accessible place as you may need it later.
- Besides, read also the other documents provided with your product.

Please note that this manual may be valid for other models as well.

### Symbols and their descriptions

This instruction manual contains the following symbols:

-  Important information or useful usage tips.
-  Warning against dangerous conditions for life and property.
-  Warning against electric voltage.



### **WARNING!**

In order to ensure a normal operation of your refrigerating appliance, which uses a completely environmentally friendly refrigerant the R600a (flammable only under certain conditions) you must observe the following rules:

- Do not hinder the free circulation of the air around the appliance.
- Do not use mechanical devices in order to accelerate the defrosting, others than the ones recommended by the manufacturer.
- Do not destroy the refrigerating circuit.
- Do not use electric appliances inside the food keeping compartment, other than those that might have been recommended by the manufacturer.

### Recycling



This product is supplied with the selective sorting symbol for waste electrical and electronic equipment (WEEE). This means that this product must be handled pursuant to European Directive 2002/96/EC in order to be recycled or dismantled to minimise its impact on the environment. For further information, please contact your local or regional authorities.

Electronic products not included in the selective sorting process are potentially dangerous for the environment and human health due to the presence of hazardous substances.

## CONTENTS

---

### **1 Your refrigerator** **3**

### **2 Important Safety Warnings** **4**

Intended use .....	4
General safety.....	4
For products with a water dispenser....	6
Child safety.....	6
HCA Warning .....	6
Things to be done for energy saving ..	6

### **3 Installation** **7**

Points to be considered when re-transporting your refrigerator .....	7
Before operating your refrigerator .....	7
Electric connection .....	7
Disposing of the packaging .....	7
Disposing of your old refrigerator .....	8
Placing and Installation .....	8
Replacing the interior light bulb .....	8

### **4 Preparation** **9**

Reversing the doors .....	10
---------------------------	----

### **5 Using your refrigerator** **11**

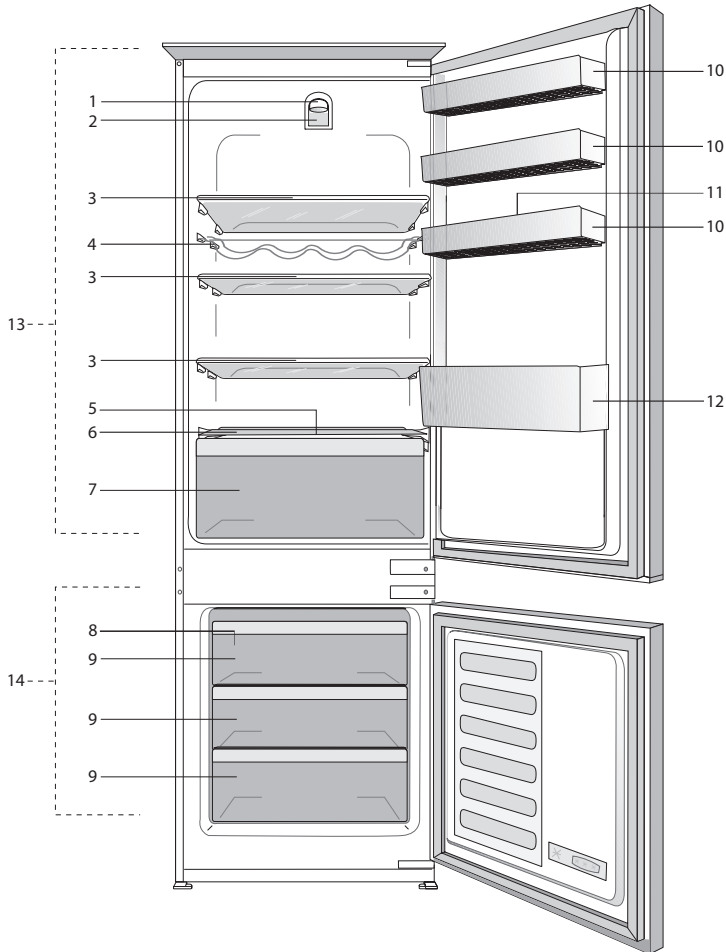
Thermostat setting button.....	11
Defrost .....	11

### **6 Maintenance and cleaning** **13**

Protection of plastic surfaces .....	13
--------------------------------------	----

### **7 Recommended solutions for the problems** **14**

# 1 Your refrigerator



- |  |                                |
|--|--------------------------------|
| 1) Thermostat knob                               | 9) Freezer compartment drawers |
| 2) Lamp housing                                  | 10) Adjustable door shelves    |
| 3) Movable shelves                               | 11) Egg compartment            |
| 4) Wine rack                                     | 12) Bottle shelf               |
| 5) Defrost water collection channel - drain tube | 13) Fridge compartment         |
| 6) Crisper cover                                 | 14) Freezer compartment        |
| 7) Crisper                                       |                                |
| 8) Ice bank                                      |                                |

**i** Figures that take place in this instruction manual are schematic and may not correspond exactly with your product. If the subject parts are not included in the product you have purchased, then it is valid for other models.

## 2 Important Safety Warnings

---

Please review the following information. Failure to observe this information may cause injuries or material damage. Otherwise, all warranty and reliability commitments will become invalid.

Original Spare parts will be provided for 10 years, following the product purchasing date.

### Intended use

This product is intended to be used:

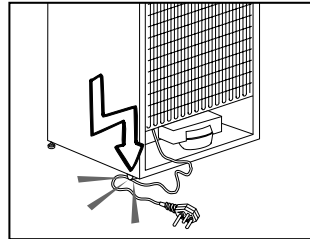
- indoors and in closed areas such as homes;
- in closed working environments such as stores and offices;
- in closed accommodation areas such as farm houses, hotels, pensions.
- This product should not be used outdoors.

### General safety

- When you want to dispose/scrap the product, we recommend you to consult the authorized service in order to learn the required information and authorized bodies.
- Consult your authorized service for all your questions and problems related to the refrigerator. Do not intervene or let someone intervene to the refrigerator without notifying the authorised services.
- For products with a freezer compartment; Do not eat cone ice cream and ice cubes immediately after you take them out of the freezer compartment! (This may cause frostbite in your mouth.)

- For products with a freezer compartment; Do not put bottled and canned liquid beverages in the freezer compartment. Otherwise, these may burst.
- Do not touch frozen food by hand; they may stick to your hand.
- Unplug your refrigerator before cleaning or defrosting.
- Vapor and vaporized cleaning materials should never be used in cleaning and defrosting processes of your refrigerator. In such cases, the vapor may get in contact with the electrical parts and cause short circuit or electric shock.
- Never use the parts on your refrigerator such as the door as a means of support or step.
- Do not use electrical devices inside the refrigerator.
- Do not damage the parts, where the refrigerant is circulating, with drilling or cutting tools. The refrigerant that might blow out when the gas channels of the evaporator, pipe extensions or surface coatings are punctured causes skin irritations and eye injuries.
- Do not cover or block the ventilation holes on your refrigerator with any material.
- Electrical devices must be repaired by only authorised persons. Repairs performed by incompetent persons create a risk for the user.
- In case of any failure or during a maintenance or repair work, disconnect your refrigerator's mains supply by either turning off the relevant fuse or unplugging your appliance.

- Do not pull by the cable when pulling off the plug.
- Place the beverage with higher proofs tightly closed and vertically.
- Never store spray cans containing flammable and explosive substances in the refrigerator.
- Do not use mechanical devices or other means to accelerate the defrosting process, other than those recommended by the manufacturer.
- This product is not intended to be used by persons with physical, sensory or mental disorders or unlearned or inexperienced people (including children) unless they are attended by a person who will be responsible for their safety or who will instruct them accordingly for use of the product.
- Do not operate a damaged refrigerator. Consult with the service agent if you have any concerns.
- Electrical safety of your refrigerator shall be guaranteed only if the earth system in your house complies with standards.
- Exposing the product to rain, snow, sun and wind is dangerous with respect to electrical safety.
- Contact authorized service when there is a power cable damage to avoid danger.
- Never plug the refrigerator into the wall outlet during installation. Otherwise, risk of death or serious injury may arise.
- This refrigerator is intended for only storing food items. It must not be used for any other purpose.
- Label of technical specifications is located on the left wall inside the refrigerator.
- Never connect your refrigerator to electricity-saving systems; they may damage the refrigerator.
- If there is a blue light on the refrigerator, do not look at the blue light with optical tools.
- For manually controlled refrigerators, wait for at least 5 minutes to start the refrigerator after power failure.
- This operation manual should be handed in to the new owner of the product when it is given to others.
- Avoid causing damage on power cable when transporting the refrigerator. Bending cable may cause fire. Never place heavy objects on power cable. Do not touch the plug with wet hands when plugging the product.



- Do not plug the refrigerator if the wall outlet is loose.
- Water should not be sprayed directly on inner or outer parts of the product for safety purposes.
- Do not spray substances containing inflammable gases such as propane gas near the refrigerator to avoid fire and explosion risk.
- Never place containers filled with water on top of the refrigerator, otherwise this may cause electric shock or fire.
- Do not overload your refrigerator with excessive amounts of food. If overloaded, the food items may fall down and hurt you and damage refrigerator when you open the door.
- Never place objects on top of the refrigerator; otherwise, these objects may fall down when you open or close the refrigerator's door.
- As they require a precise temperature, vaccines, heat-sensitive medicine and scientific materials and etc. should not be kept in the refrigerator.

- If not to be used for a long time, refrigerator should be unplugged. A possible problem in power cable may cause fire.
- The plug's tip should be regularly cleaned; otherwise, it may cause fire.
- The plug's tip should be cleaned regularly with a dry cloth; otherwise, it may cause fire.
- Refrigerator may move if adjustable legs are not properly secured on the floor. Properly securing adjustable legs on the floor can prevent the refrigerator to move.
- When carrying the refrigerator, do not hold it from door handle. Otherwise, it may be snapped.
- When you have to place your product next to another refrigerator or freezer, the distance between devices should be at least 8 cm. Otherwise, adjacent side walls may be humidified.

### **For products with a water dispenser**

- Pressure of water mains should be minimum 1 bar. Pressure of water mains should be maximum 8 bars.
- Use only potable water.

### **Child safety**

- If the door has a lock, the key should be kept away from reach of children.
- Children must be supervised to prevent them from tampering with the product.

### **HCA Warning If your product's cooling system contains R600a:**

This gas is flammable. Therefore, pay attention to not damaging the cooling system and piping during usage and transportation. In the event of damage, keep your product away from potential fire sources that can cause the product catch a fire and ventilate the room in which the unit is placed.

### **Ignore this warning if your product's cooling system contains R134a.**

Type of gas used in the product is stated in the type plate which is on the left wall inside the refrigerator. Never throw the product in fire for disposal.

### **Things to be done for energy saving**

- Do not leave the doors of your refrigerator open for a long time.
- Do not put hot food or drinks in your refrigerator.
- Do not overload your refrigerator so that the air circulation inside of it is not prevented.
- Do not install your refrigerator under direct sunlight or near heat emitting appliances such as ovens, dishwashers or radiators.
- Pay attention to keep your food in closed containers.
- For products with a freezer compartment; You can store maximum amount of food items in the freezer when you remove the shelf or drawer of the freezer. Energy consumption value stated for your refrigerator has been determined by removing freezer shelf or drawer and under maximum load. There is no harm to use a shelf or drawer according to the shapes and size of food to be frozen.
- Thawing frozen food in fridge compartment will both provide energy saving and preserve the food quality.



### 3 Installation

---

⚠ Please remember that the manufacturer shall not be held liable if the information given in the instruction manual is not observed.

#### Points to be considered when re-transporting your refrigerator

1. Your refrigerator must be emptied and cleaned prior to any transportation.
2. Shelves, accessories, crisper and etc. in your refrigerator must be fastened securely by adhesive tape against any jolt before repackaging.
3. Packaging must be tied with thick tapes and strong ropes and the rules of transportation printed on the package must be followed.

#### Please do not forget...

Every recycled material is an indispensable source for the nature and for our national resources. If you wish to contribute to recycling the packaging materials, you can get further information from the environmental bodies or local authorities.

#### Before operating your refrigerator

Before starting to use your refrigerator check the following:

1. Is the interior of the refrigerator dry and can the air circulate freely in the rear of it?
2. Clean the interior of the refrigerator as recommended in the "Maintenance and cleaning" section.
3. Plug the refrigerator into the wall outlet. When the fridge door is open, the fridge compartment interior light will come on.

4. You will hear a noise as the compressor starts up. The liquid and gases sealed within the refrigeration system may also give rise to noise, even if the compressor is not running and this is quite normal.

5. Front edges of the refrigerator may feel warm. This is normal. These areas are designed to be warm to avoid condensation

#### Electric connection

Connect your product to a grounded socket which is being protected by a fuse with the appropriate capacity.

Important:

- The connection must be in compliance with national regulations.
- The power cable plug must be easily accessible after installation.
- The specified voltage must be equal to your mains voltage.
- Extension cables and multiway plugs must not be used for connection.

⚠ A damaged power cable must be replaced by a qualified electrician.

⚠ Product must not be operated before it is repaired! There is danger of electric shock!

#### Disposing of the packaging

The packing materials may be dangerous for children. Keep the packing materials out of the reach of children or dispose of them by classifying them in accordance with the waste instructions. Do not dispose of them along with the normal household waste.

The packing of your refrigerator is produced from recyclable materials.

## Disposing of your old refrigerator

Dispose of your old refrigerator without giving any harm to the environment.

- You may consult your authorised dealer or waste collection center of your municipality about the disposal of your refrigerator.

Before disposing of your refrigerator, cut out the electric plug and, if there are any locks on the door, make them inoperable in order to protect children against any danger.

## Placing and Installation

⚠ If the entrance door of the room where the refrigerator will be installed is not wide enough for the refrigerator to pass through, then call the authorised service to have them remove the doors of your refrigerator and pass it sideways through the door.

1. Install your refrigerator to a place that allows ease of use.
2. Keep your refrigerator away from heat sources, humid places and direct sunlight.
3. There must be appropriate air ventilation around your refrigerator in order to achieve an efficient operation. If the refrigerator is to be placed in a recess in the wall, there must be at least 5 cm distance with the ceiling and at least 5 cm with the wall. If the floor is covered with a carpet, your product must be elevated 2,5 cm from the floor.
4. Place your refrigerator on an even floor surface to prevent jolts.
5. Do not keep your refrigerator in ambient temperatures under 10°C.

## Replacing the interior light bulb

To change the Bulb/LED used for illumination of your refrigerator, call your Authorised Service.

The lamp(s) used in this appliance is not suitable for household room illumination. The intended purpose of this lamp is to assist the user to place foodstuffs in the refrigerator/freezer in a safe and comfortable way.

The lamps used in this appliance have to withstand extreme physical conditions such as temperatures below -20°C.

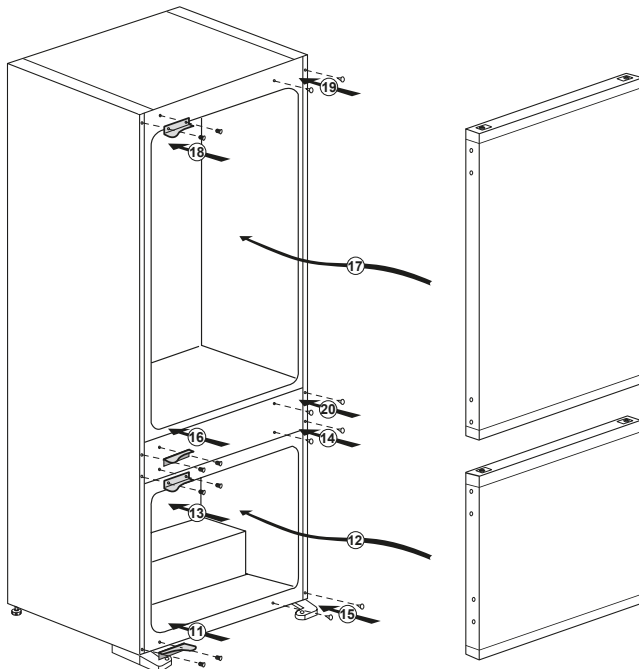
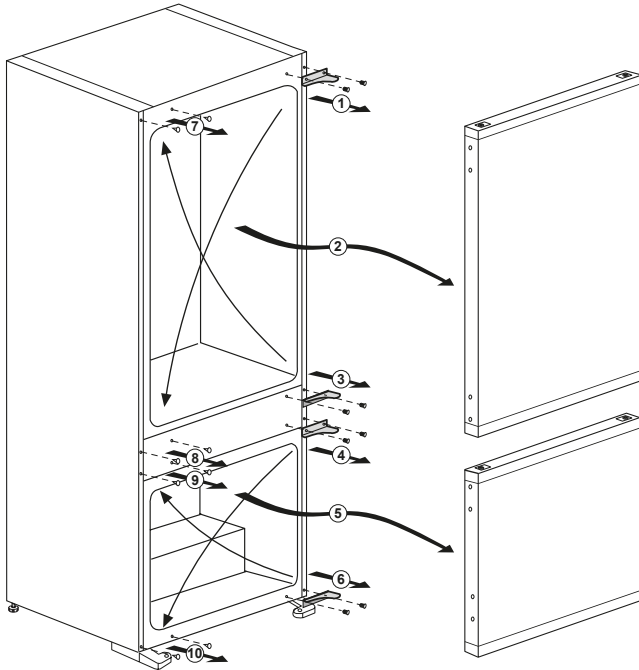
## 4 Preparation

---

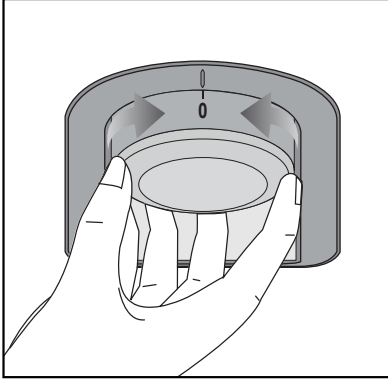
- i** Your refrigerator should be installed at least 30 cm away from heat sources such as hobs, ovens, central heater and stoves and at least 5 cm away from electrical ovens and should not be located under direct sunlight.
- i** The ambient temperature of the room where you install your refrigerator should at least be 10°C. Operating your refrigerator under cooler conditions than this is not recommended with regard to its efficiency.
- i** Please make sure that the interior of your refrigerator is cleaned thoroughly.
- i** If two refrigerators are to be installed side by side, there should be at least 2 cm distance between them.
- i** When you operate your refrigerator for the first time, please observe the following instructions during the initial six hours.
  - The door should not be opened frequently.
  - It must be operated empty without any food in it.
  - Do not unplug your refrigerator. If a power failure occurs out of your control, please see the warnings in the “Recommended solutions for the problems” section.
- i** Original packaging and foam materials should be kept for future transportations or moving.

# Reversing the doors

Proceed in numerical order.



## 5 Using your refrigerator



### Thermostat setting button

The interior temperature of your refrigerator changes for the following reasons:

- Seasonal temperatures.
- Frequent opening of the door and leaving the door open for long periods.
- Food put into the refrigerator without cooling down to the room temperature.
- The location of the refrigerator in the room (e.g. exposing to sunlight).
- You may adjust the varying interior temperature due to such reasons by using the thermostat. Numbers around the thermostat button indicates the cooling degrees.
- If the ambient temperature is higher than 32°C, turn the thermostat button to maximum position.
- If the ambient temperature is lower than 25°C, turn the thermostat button to minimum position.

### Defrost

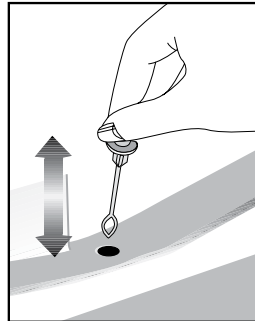
#### A) Fridge compartment

Fridge compartment performs full-automatic defrosting.

Water drops and a frosting up to 7-8 mm can occur on the inner rear wall of the fridge compartment while your refrigerator cools down. Such formation is normal as a result of the cooling system.

The frost formation is defrosted by performing automatic defrosting with certain intervals thanks to the automatic defrosting system of the rear wall. User is not required to scrape the frost or remove the water drops. Water resulting from the defrosting passes from the water collection groove and flows into the evaporator through the drain pipe and evaporates here by itself.

Check regularly to see if the drain pipe is clogged or not and clear it with the stick in the hole when necessary.



## B) Freezer compartment

Deep freezer compartment does not perform automatic defrosting in order to prevent decaying of the frozen food. Defrosting is very straightforward and without mess, thanks to a special defrost collection basin.

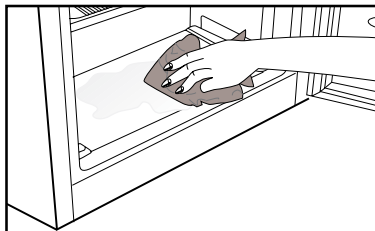
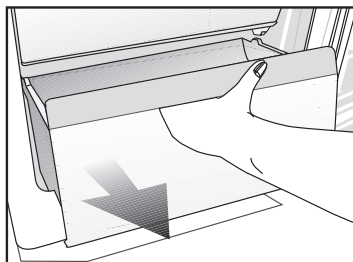
Defrost twice a year or when a frost layer of around 7 (1/4") mm has formed. To start the defrosting procedure, switch off the appliance at the socket outlet and pull out the mains plug. All food should be wrapped in several layers of newspaper and stored in a cool place (e.g. fridge or larder). Containers of warm water may be placed carefully in the freezer to speed up the defrosting. Do not use pointed or sharp-edged objects, such as knives or forks to remove the frost.

Never use hair dryers, electrical heaters or other such electrical appliances for defrosting.

Sponge out the defrost water collected in the bottom of the freezer compartment.

After defrosting, dry the interior thoroughly.

Insert the plug into the wall socket and switch on the electricity supply.



## 6 Maintenance and cleaning

---

- ⚠ Never use gasoline, benzene or similar substances for cleaning purposes.
- ⚠ We recommend that you unplug the appliance before cleaning.
- ⚠ Never use any sharp abrasive instrument, soap, household cleaner, detergent and wax polish for cleaning.
- ℹ Use lukewarm water to clean the cabinet of your refrigerator and wipe it dry.
- ℹ Use a damp cloth wrung out in a solution of one teaspoon of bicarbonate of soda to one pint of water to clean the interior and wipe it dry.
- ⚠ Make sure that no water enters the lamp housing and other electrical items.
- ⚠ If your refrigerator is not going to be used for a long period of time, unplug the power cable, remove all food, clean it and leave the door ajar.
- ℹ Check door seals regularly to ensure they are clean and free from food particles.
- ⚠ To remove door racks, remove all the contents and then simply push the door rack upwards from the base.

### Protection of plastic surfaces

- ℹ Do not put the liquid oils or oil-cooked meals in your refrigerator in unsealed containers as they damage the plastic surfaces of your refrigerator. In case of spilling or smearing oil on the plastic surfaces, clean and rinse the relevant part of the surface at once with warm water.

## 7 Recommended solutions for the problems

Please review this list before calling the service. It might save you time and money. This list includes frequent complaints that are not arising from defective workmanship or material usage. Some of the features described here may not exist in your product.

The refrigerator does not operate.
<ul style="list-style-type: none"><li>• Is the refrigerator properly plugged in? Insert the plug to the wall socket.</li><li>• Is the fuse of the socket which your refrigerator is connected to or the main fuse blown out? Check the fuse.</li></ul>
Condensation on the side wall of the fridge compartment (MULTIZONE, COOL CONTROL and FLEXI ZONE).
<ul style="list-style-type: none"><li>• Very cold ambient conditions. Frequent opening and closing of the door. Highly humid ambient conditions. Storage of food containing liquid in open containers. Leaving the door ajar. Switching the thermostat to a colder degree.</li><li>• Decreasing the time the door left open or using it less frequently.</li><li>• Covering the food stored in open containers with a suitable material.</li><li>• Wipe the condensation using a dry cloth and check if it persists.</li></ul>
Compressor is not running.
<ul style="list-style-type: none"><li>• Protective thermic of the compressor will blow out during sudden power failures or plug-out plug-ins as the refrigerant pressure in the cooling system of the refrigerator has not been balanced yet. Your refrigerator will start running approximately after 6 minutes. Please call the service if the refrigerator does not startup at the end of this period.</li><li>• The fridge is in defrost cycle. This is normal for a full-automatically defrosting refrigerator. Defrosting cycle occurs periodically.</li><li>• Your refrigerator is not plugged into the socket. Make sure that the plug is properly fit into the socket.</li><li>• Are the temperature adjustments correctly made?</li><li>• Power might be cut off.</li></ul>



The fridge is running frequently or for a long time.

- Your new product may be wider than the previous one. This is quite normal. Large refrigerators operate for a longer period of time.
- The ambient room temperature may be high. This is quite normal.
- The refrigerator might have been plugged in recently or might have been loaded with food. Cooling down of the refrigerator completely may last for a couple of hours longer.
- Large amounts of hot food might have been put in the refrigerator recently. Hot food causes longer running of the refrigerator until they reach the safe storage temperature.
- Doors might have been opened frequently or left ajar for a long time. The warm air that has entered into the refrigerator causes the refrigerator to run for longer periods. Open the doors less frequently.
- Freezer or fridge compartment door might have been left ajar. Check if the doors are tightly closed.
- The refrigerator is adjusted to a very low temperature. Adjust the refrigerator temperature to a warmer degree and wait until the temperature is achieved.
- Door seal of the fridge or freezer may be soiled, worn out, broken or not properly seated. Clean or replace the seal. Damaged/broken seal causes the refrigerator to run for a longer period of time in order to maintain the current temperature.

Freezer temperature is very low while the fridge temperature is sufficient.

- The freezer temperature is adjusted to a very low temperature. Adjust the freezer temperature to a warmer degree and check.

Fridge temperature is very low while the freezer temperature is sufficient.

- The fridge temperature might have been adjusted to a very low temperature. Adjust the fridge temperature to a warmer degree and check.

Food kept in the fridge compartment drawers are freezing.

- The fridge temperature might have been adjusted to a very low temperature. Adjust the fridge temperature to a warmer degree and check.

Temperature in the fridge or freezer is very high.

- The fridge temperature might have been adjusted to a very high degree. Fridge adjustment has an effect on the temperature of the freezer. Change the temperature of the fridge or freezer until the fridge or freezer temperature reaches to a sufficient level.
- Doors might have been opened frequently or left ajar for a long time; open them less frequently.
- Door might have been left ajar; close the door completely.
- Large amount of hot food might have been put in the refrigerator recently. Wait until the fridge or freezer reaches the desired temperature.
- The refrigerator might have been plugged in recently. Cooling down of the refrigerator completely takes time.

The operation noise increases when the refrigerator is running.
<ul style="list-style-type: none"> <li>The operating performance of the refrigerator may change due to the changes in the ambient temperature. It is normal and not a fault.</li> </ul>
Vibrations or noise.
<ul style="list-style-type: none"> <li>The floor is not even or it is weak. The refrigerator rocks when moved slowly. Make sure that the floor is strong enough to carry the refrigerator, and level.</li> <li>The noise may be caused by the items put onto the refrigerator. Items on top of the refrigerator should be removed.</li> </ul>
There are noises coming from the refrigerator like liquid spilling or spraying.
<ul style="list-style-type: none"> <li>Liquid and gas flows happen in accordance with the operating principles of your refrigerator. It is normal and not a fault.</li> </ul>
There is a noise like wind blowing.
<ul style="list-style-type: none"> <li>Fans are used in order to cool the refrigerator. It is normal and not a fault.</li> </ul>
Condensation on the inner walls of refrigerator.
<ul style="list-style-type: none"> <li>Hot and humid weather increases icing and condensation. It is normal and not a fault.</li> <li>Doors might have been left ajar; make sure that the doors are closed fully.</li> <li>Doors might have been opened frequently or left ajar for a long time; open them less frequently.</li> </ul>
Humidity occurs on the outside of the refrigerator or between the doors.
<ul style="list-style-type: none"> <li>There might be humidity in the air; this is quite normal in humid weather. When the humidity is less, condensation will disappear.</li> </ul>
Bad odour inside the refrigerator.
<ul style="list-style-type: none"> <li>Inside of the refrigerator must be cleaned. Clean the inside of the refrigerator with a sponge, lukewarm water or carbonated water.</li> <li>Some containers or package materials might cause the smell. Use a different container or different brand packaging material.</li> </ul>
The door is not closing.
<ul style="list-style-type: none"> <li>Food packages may prevent the door's closing. Replace the packages that are obstructing the door.</li> <li>The refrigerator is not completely upright on the floor and rocking when slightly moved. Adjust the elevation screws.</li> <li>The floor is not level or strong. Make sure that the floor is level and capable to carry the refrigerator.</li> </ul>
Crispers are stuck.
<ul style="list-style-type: none"> <li>The food might be touching the ceiling of the drawer. Rearrange food in the drawer.</li> </ul>

## Leggere innanzitutto il manuale di istruzioni.

Gentile Cliente,

ci auguriamo che l'articolo da Lei scelto, prodotto in moderni stabilimenti e sottoposto ai più severi controlli di qualità, risponda interamente alle Sue esigenze.




A tal fine, La invitiamo a leggere attentamente il manuale di istruzioni del prodotto prima di procedere al suo utilizzo e di conservarlo per eventuali consultazioni future.

## Il presente manuale

- Aiuterà l'utente ad utilizzare l'apparecchio in modo rapido e sicuro.
  - Leggere le istruzioni per l'uso prima di installare e utilizzare il prodotto.
  - Seguire attentamente le istruzioni, in particolare quelle inerenti alla sicurezza.
  - Conservare il presente manuale in un luogo facilmente accessibile per eventuali future consultazioni.
  - Leggere inoltre gli altri documenti forniti assieme al prodotto.
- Il presente manuale può essere valido anche per altri modelli.

## Simboli e loro descrizione

Il manuale di istruzioni contiene i seguenti simboli:

-  Informazioni importanti o consigli utili di utilizzo.
-  Segnale di avvertimento in caso di situazioni pericolose per la persona o i beni.
-  Avvertimento in caso di problemi con il voltaggio.



## AVVERTENZA!

Per garantire il funzionamento adeguato dell'elettrodomestico, che utilizza il refrigerante R600a completamente adatto all'ambiente (infiammabile solo in determinate condizioni), è necessario attenersi alle seguenti regole:

- Non ostacolare la libera circolazione dell'aria attorno all'elettrodomestico.
- Per accelerare lo sbrinamento non utilizzare dispositivi meccanici diversi da quelli consigliati dal produttore.
- Non danneggiare il circuito refrigerante.
- Non utilizzare all'interno del comparto del cibo elettrodomestici diversi da quelli consigliati dal produttore.

## Riciclaggio



Questo prodotto riporta il simbolo di raccolta differenziata per le apparecchiature elettriche ed elettroniche di rifiuto (WEEE).

Ciò significa che il prodotto deve essere gestito in conformità alla direttiva europea 2002/96/EC in modo che durante il riciclaggio e lo smontaggio sia ridotto al minimo l'impatto sull'ambiente. Per ulteriori informazioni contattare le autorità locali o regionali.

I prodotti elettronici non inclusi nel processo di raccolta differenziata sono potenzialmente pericolosi per l'ambiente e la salute umana a causa della presenza di sostanze pericolose.

## INDICE

---

### **1 Il frigorifero** **3**

### **2 Importanti avvertenze per la sicurezza** **4**

Uso previsto .....	4
Sicurezza generale .....	4
Sicurezza bambini .....	6
Avvertenza HCA .....	6
Cose da fare per risparmiare energia...	6

### **3 Installazione** **7**

Punti da tenere in considerazione quando si trasporta nuovamente il frigorifero .....	7
Prima di utilizzare il frigorifero .....	7
Collegamento elettrico .....	7
Smaltimento del materiale di imballaggio .....	8
Smaltimento del vecchio frigorifero ....	8
Posizionamento e installazione .....	8
Sostituzione della lampadina interna...	8

### **4 Preparazione** **9**

Inversione degli sportelli.....	10
---------------------------------	----

### **5 Utilizzo del frigorifero** **11**

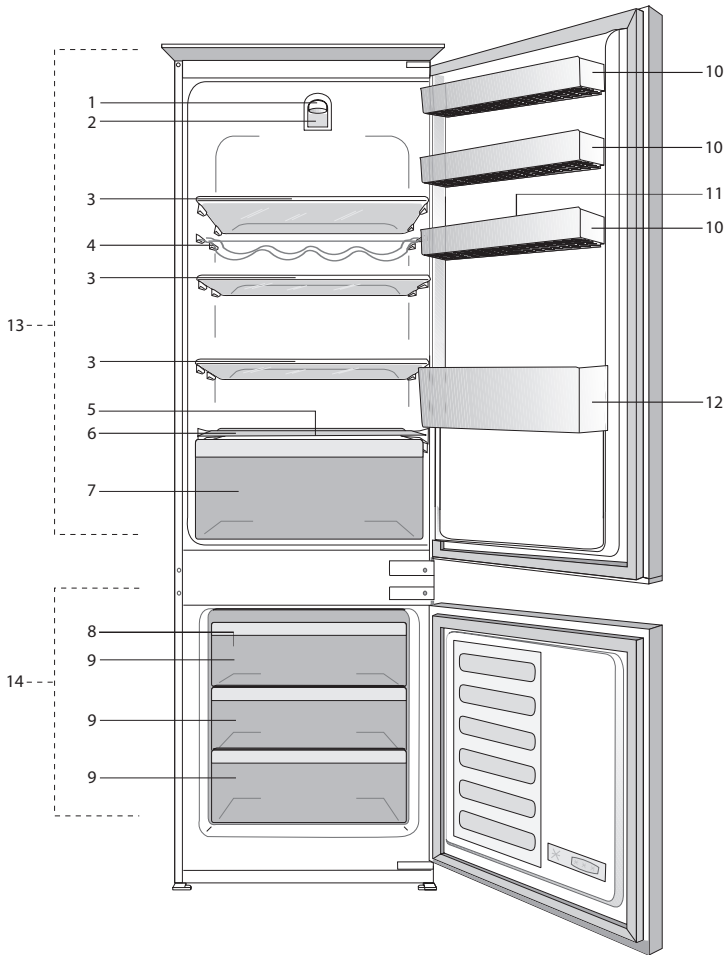
Tasto di impostazione termostato ....	11
Sbrinamento .....	11

### **6 Manutenzione e pulizia** **13**

Protezione delle superfici di plastica....	13
--	----

### **7 Soluzioni consigliate per i problemi** **14**

# 1 Il frigorifero



- |   |   |
|---|---|
| 1) Manopola del termostato  | 9) Scomparti per la conservazione di cibi congelati |
| 2) Alloggiamento della lampadina                                    | 10) Mensole dello sportello regolabili              |
| 3) Mensole amovibili  | 11) Scomparto uova                                  |
| 4) Supporto per bottiglie di vino                                   | 12) Ripiano bottiglie                               |
| 5) Canale di raccolta dell'acqua di sbrinamento – tubo di drenaggio | 13) Scomparto frigo                                 |
| 6) Coperchio scomparto frutta e verdura                             | 14) Scomparto freezer                               |
| 7) Scomparto frutta e verdura                                       |   |
| 8) Borsa del ghiaccio   |   |

**i** Le illustrazioni contenute in questa guida sono schematiche e potrebbero non corrispondere esattamente al prodotto in uso. Se le parti in oggetto non sono incluse nel prodotto acquistato, significa che sono da intendersi per altri modelli.

## 2 Importanti avvertenze per la sicurezza

Prendere in esame le seguenti informazioni. Se queste informazioni non vengono rispettate, possono verificarsi lesioni personali o danni materiali. Quindi tutte le garanzie e gli impegni sull'affidabilità diventerebbero privi di validità.

I pezzi di ricambio originali verranno forniti per 10 anni, successivamente alla data di acquisto del prodotto.

### Uso previsto

- Questo apparecchio è destinato ad un uso domestico e applicazioni simili come:
  - aree destinate a cucina in negozi, uffici e altri ambienti di lavoro;
  - fattorie e da clienti in alberghi, motel e altri ambienti di tipo residenziale;
  - ambienti tipo bed and breakfast;
  - catering e simili applicazioni non commerciali.
- Non deve essere usato all'esterno. L'uso esterno non è appropriato anche se coperto da un tetto.

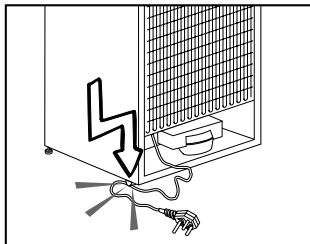
### Sicurezza generale

- Quando si vuole smaltire/eliminare l'apparecchio, è consigliabile consultare il servizio autorizzato per apprendere le informazioni necessarie e conoscere gli enti autorizzati.
- Consultare il servizio di manutenzione autorizzato per tutti i problemi relativi al frigorifero. Non intervenire o far intervenire sul frigorifero senza informare il servizio manutenzione autorizzato.
- Non mangiare coni gelati ghiacciati p cubetti di ghiaccio o gelati appena presi dal freezer! (possono provocare bruciate da freddo alla bocca). (Ciò potrebbe causare sintomi di congelamento in bocca).
- Non mettere bottiglie e lattine di bibite liquide nello scomparto del freezer. altrimenti potrebbero esplodere.

- Non toccare con le mani gli alimenti gelati; possono incollarsi ad esse.
- Il vapore e i materiali per la pulizia vaporizzati non devono mai essere usati per pulire e scongelare il frigorifero. In questo caso il vapore può entrare in contatto con le parti elettriche e provocare corto circuito o scossa elettrica.
- Non usare mai parti del frigorifero come lo sportello come mezzo di supporto o movimento.
- Non utilizzare dispositivi elettrici all'interno del frigorifero.
- Non danneggiare il circuito di raffreddamento, in cui circola il refrigerante, con utensili perforanti o taglienti. Il refrigerante può scoppiare quando i canali del gas dell'evaporatore, le estensioni dei tubi o le pellicole superficiali vengono punti e possono provocare irritazioni alla pelle e lesioni agli occhi.
- Non bloccare o coprire la ventilazione dell'elettrodomestico.
- Le riparazioni agli apparecchi elettrici devono essere eseguite solo da personale qualificato. Le riparazioni eseguite da personale non competente possono provocare danni all'utilizzatore.
- In caso di guasto o durante lavori di riparazione e manutenzione, scollegare la fornitura d'energia principale spegnendo il fusibile principale o scollegando la presa dell'apparecchio.
- Non tirare dal cavo quando si estrae la spina.
- Posizionare le bibite più alte molto vicine e in verticale.
- Non conservare sostanze esplosive come aerosol con gas propellenti infiammabili nell'apparecchio.
- Non utilizzare apparecchiature meccaniche o altri mezzi diversi da quelli consigliati dal produttore, per accelerare il processo di sbrinamento.

- Questo apparecchio non deve essere usato da persone (compresi bambini) con capacità fisiche, sensoriali o mentali ridotte, o mancanza di esperienza e conoscenza, a meno che non ricevano la supervisione o le istruzioni per l'uso dell'apparecchio da parte di una persona responsabile della loro sicurezza.
- Non utilizzare frigoriferi danneggiati. Consultare il servizio assistenza in caso di dubbi.
- La sicurezza elettrica del frigorifero è garantita unicamente se il sistema di messa a terra dell'apparecchiatura è conforme agli standard.
- L'esposizione del prodotto a pioggia, neve, sole e vento è pericolosa per la sicurezza elettrica.
- Contattare l'assistenza autorizzata quando ci sono danni ai cavi ecc., in modo che non creino pericoli per l'utente.
- Non collegare mai il frigorifero alla presa a muro durante l'installazione, per evitare il rischio di morte o lesioni gravi.
- Questo frigorifero è destinato solo alla conservazione di alimenti. Non deve essere usato per altri fini.
- L'etichetta che descrive le specifiche tecniche del prodotto si trova a sinistra nella parte interna del frigorifero.
- Non collegare il frigorifero a sistemi di risparmio energetico poiché possono danneggiare l'apparecchio.
- Se il frigorifero presenta una luce blu, non guardarla usando dispositivi ottici.
- Se l'alimentazione è scollegata negli apparecchi controllati manualmente, attendere almeno 5 minuti prima di ricollegarla.
- Questo manuale deve essere trasferito al successivo proprietario del frigorifero, in caso di passaggio di proprietà.

- Quando si sposta l'apparecchio, assicurarsi di non danneggiare il cavo di alimentazione. Per evitare che il cavo di alimentazione si incendi, evitare di torcerlo. Non mettere oggetti pesanti sul cavo di alimentazione. Quando il frigorifero viene collegato alla rete, non toccare la presa di alimentazione con le mani bagnate.



- Non collegare il frigorifero alla rete se la presa elettrica è allentata.
- Non far schizzare l'acqua direttamente sulle parti esterne o interne del frigorifero per ragioni di sicurezza.
- Non spruzzare materiali infiammabili come gas propano, ecc. nelle vicinanze del frigorifero, a causa del rischio di incendio ed esplosioni.
- Non mettere oggetti pieni di acqua sopra al frigorifero poiché potrebbero provocare uno shock elettrico o un incendio.
- Non sovraccaricare il frigorifero con troppi alimenti. Gli alimenti in eccesso possono cadere quando viene aperto lo sportello, causando lesioni alla persona o danneggiando il frigorifero. Non mettere oggetti sopra al frigorifero poiché potrebbero cadere quando si apre o si chiude lo sportello dell'apparecchio.
- Materiali che richiedono determinate condizioni di temperatura come vaccini, farmaci termosensibili, materiali scientifici, ecc. non devono essere tenuti in frigorifero.

- Se il frigorifero non viene usato per molto tempo, deve essere scollegato dalla rete. Un problema nell'isolamento del cavo elettrico potrebbe provocare un incendio.
- La punta della spina elettrica deve essere regolarmente pulita altrimenti potrebbe provocare un incendio.
- La punta della spina deve essere pulita regolarmente con un panno asciutto; altrimenti può provocare un incendio.
- Il frigorifero potrebbe spostarsi quando i piedini regolabili non sono posizionati in modo fermo a terra. Usando i piedini regolabili si assicura che il frigorifero sia posizionato in modo stabile sul pavimento.
- Se il frigorifero ha una maniglia sullo sportello, non tirare l'apparecchio dalla maniglia quando lo si sposta, altrimenti la maniglia potrebbe staccarsi.
- Se è necessario utilizzare l'apparecchio vicino ad un altro frigorifero o un altro freezer, la distanza tra gli apparecchi deve essere almeno 8 cm. Altrimenti si può creare condensa sulle pareti laterali che sono l'una di fronte all'altra.
- La pressione principale dell'acqua non deve scendere sotto 1 bar. La pressione principale dell'acqua non deve essere superiore a 8 bar.
- Usare solo acqua potabile.

## Sicurezza bambini

- Se la porta ha un lucchetto, la chiave deve essere tenuta lontana dalla portata dei bambini.
- I bambini devono ricevere la supervisione necessaria ad assicurare che non giochino con l'apparecchio.

## Avvertenza HCA

**Se il prodotto è dotato di un sistema di raffreddamento che contiene R600a:**

Questo gas è infiammabile. Pertanto, fare attenzione a non danneggiare il sistema di raffreddamento e le tubazioni durante l'uso e il trasporto. In caso di danni, tenere il prodotto lontano da potenziali fonti di incendio che possono provocarne l'incendio e ventilare la stanza in cui si trova l'unità.

**Ignorare l'avvertenza se il prodotto è dotato di un sistema di raffreddamento che contiene R134a.**

Si può vedere il gas usato nella produzione del dispositivo sull'etichetta informativa che si trova nella parte interna sinistra dello stesso.

Non gettare mai il prodotto nel fuoco.

## Cose da fare per risparmiare energia

- Non lasciare lo sportello del frigorifero aperto per lungo tempo.
- Non inserire cibo caldo o bevande calde nell'elettrodomestico.
- Non sovraccaricare il frigorifero impedendo la circolazione dell'aria al suo interno.
- Non installare il frigorifero sotto la luce diretta del sole o nelle vicinanze di forni, lavastoviglie o radiatori.
- Porre attenzione nel conservare il cibo in contenitori chiusi.
- La quantità massima di alimenti può essere posta nello scomparto freezer del frigorifero quando il ripiano o il cassetto dello scomparto freezer sono rimossi. Il valore di consumo energetico dichiarato per il frigorifero è stato stabilito con il ripiano o il cassetto dello scomparto freezer rimossi e con la quantità massima di alimenti caricata. Non c'è rischio nell'usare un ripiano o un cassetto secondo le forme e le dimensioni degli alimenti da congelare.
- Scongelare alimenti congelati nello scomparto frigo garantisce risparmio energetico e conserva la qualità degli alimenti.



### 3 Installazione

⚠ Ricordarsi che il fabbricante non è responsabile della mancata osservanza delle informazioni fornite nel manuale di istruzioni.

#### **Punti da tenere in considerazione quando si trasporta nuovamente il frigorifero**

1. Deve essere svuotato prima di ogni trasporto.
2. Scaffali, accessori, cestelli ecc. devono essere fissati nel frigorifero in modo sicuro per mezzo di nastro adesivo prima di essere di nuovo imballati.
3. L'imballaggio deve essere eseguito con nastro spesso e forte e le norme di trasporto devono essere scrupolosamente seguite.

#### **Cose da non dimenticare...**

Tutti i materiali riciclati sono una fonte indispensabile per la natura e per le nostre risorse naturali.

Se si vuole contribuire al riciclaggio di materiali da imballo, è necessario rivolgersi per ulteriori informazioni alle autorità locali per l'ambiente.

#### **Prima di utilizzare il frigorifero**

Prima di avviare l'uso del frigorifero, controllare quanto segue:

1. L'interno del frigorifero è asciutto e l'aria può circolare liberamente sul retro?
2. Pulire la parte interna del frigorifero come consigliato nella sezione "Manutenzione e pulizia".

3. Collegare il frigorifero alla presa elettrica. Quando lo sportello del frigorifero viene aperto si accenderà la luce interna allo scomparto frigo.
4. Si udrà un rumore quando il compressore si avvia. I liquidi e i gas sigillati nel sistema refrigerante possono produrre dei rumori, anche se il compressore non è in funzione; questo è abbastanza normale.
5. I bordi anteriori del frigorifero possono essere tiepidi. Questo è normale. Queste zone sono progettate per essere tiepide per evitare la condensazione.

#### **Collegamento elettrico**

Collegare il frigorifero ad una presa di messa a terra protetta da un fusibile della capacità appropriata.

Importante:

- Il collegamento deve essere conforme ai regolamenti nazionali.
- Il cavo di alimentazione deve essere facilmente accessibile dopo l'installazione.
- La tensione specificata deve essere pari a quella di rete.
- Le prolunghe e le prese multiple non devono essere usate per il collegamento.

⚠ Un cavo di alimentazione danneggiato deve essere sostituito da un elettricista qualificato.

⚠ L'apparecchio non deve essere usato finché non viene riparato! C'è pericolo di shock elettrico!

## Smaltimento del materiale di imballaggio

I materiali di imballaggio potrebbero essere dannosi per i bambini.

Tenere i materiali di imballaggio fuori dalla portata dei bambini o smaltirli classificandoli secondo le istruzioni sui rifiuti. Non smaltirli insieme ai normali rifiuti domestici.

L'imballaggio del frigorifero è prodotto con materiali riciclabili.

## Smaltimento del vecchio frigorifero

Smaltimento del vecchio frigorifero senza danni per l'ambiente.

- Bisogna consultare il rivenditore autorizzato o il centro di raccolta rifiuti della propria città per quanto riguarda lo smaltimento del frigorifero.

Prima di smaltire il frigorifero, tagliare la spina elettrica e, se ci sono blocchi allo sportello, renderli inutilizzabili per proteggere i bambini da eventuali pericoli.

## Posizionamento e installazione

⚠ Nel caso in cui la porta di ingresso della stanza in cui il frigorifero deve essere posizionato non è abbastanza grande per il passaggio del frigorifero, chiamare il servizio autorizzato per rimuovere le porte del frigorifero e per farlo passare attraverso la porta.

1. Installare il frigorifero in un luogo che ne permetta il facile utilizzo.
2. Tenere il frigorifero lontano da fonti di calore, luoghi umidi e luce diretta del sole.
3. Intorno al frigorifero deve esserci ventilazione appropriata per poter avere operatività efficiente.

Se il frigorifero deve essere posizionato in un recesso della parete, è necessario porlo ad almeno 5 cm di distanza dal soffitto e a 5 cm dalla parete. Se il pavimento è coperto con un tappeto, l'apparecchio deve essere sollevato di 2,5 cm dal pavimento.

4. Posizionare l'elettrodomestico solo su superfici uniformi e piane per evitare dondolii.

5. Non tenere il frigorifero in ambienti con temperature inferiori ai 10°C.

## Sostituzione della lampadina interna

Per cambiare lampadina/LED utilizzati per illuminare il frigorifero, rivolgersi al Servizio Assistenza Autorizzato. La lampada (le lampade) usata (usate) nell'apparecchiatura non è (sono) adatta (adatte) per l'illuminazione domestica. L'obiettivo previsto per questa lampada è quello di assistere l'utente in fase di posizionamento degli alimenti all'interno del frigorifero / congelatore in modo sicuro e comodo. Le lampadine utilizzate in questo apparecchio devono sopportare condizioni fisiche estreme come temperature inferiori a -20°C.

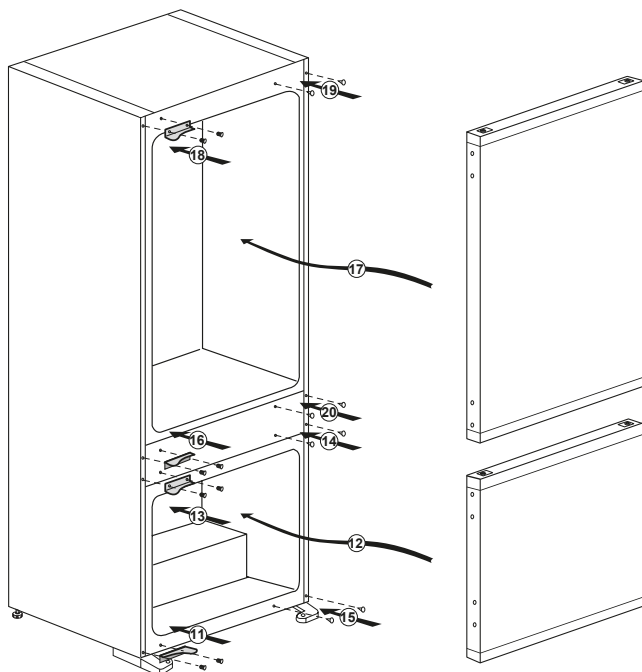
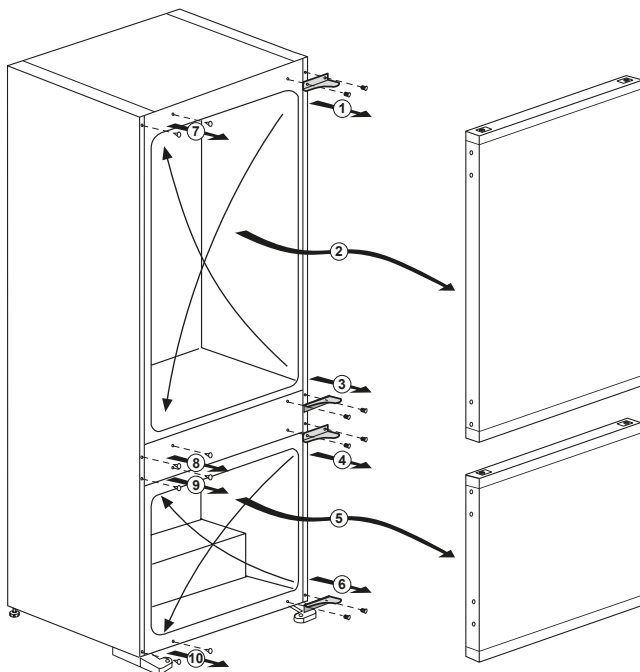
## 4 Preparazione

---

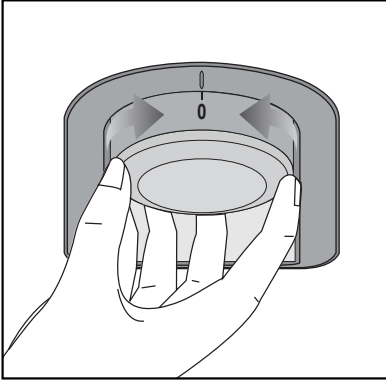
- i** Il frigorifero dovrà essere installato ad almeno 30 cm lontano da fonti di calore, come forni, riscaldamento centrale e stufe e ad almeno 5 cm da forni elettrici e non deve essere esposto alla luce diretta del sole.
- i** La temperatura ambiente della stanza in cui viene installato il frigorifero deve essere almeno 10°C . Usare il frigorifero in ambienti con temperatura inferiore non è consigliabile per motivi di efficienza.
- i** Assicurarsi che l'interno del frigorifero sia ben pulito.
- i** In caso di installazione di due frigoriferi l'uno accanto all'altro, devono esservi almeno 2 cm di distanza tra di loro.
- i** Quando il frigorifero viene messo in funzione per la prima volta, osservare le seguenti istruzioni per le prime sei ore.
  - La porta non si deve aprire frequentemente.
  - Deve funzionare vuoto senza alimenti all'interno.
  - Non staccare il frigo dalla presa di corrente. Se si verifica un calo di potenza al di là del controllo dell'utente, vedere le avvertenze nella sezione "Soluzioni consigliate per i problemi".
- i** Conservare i materiali originali di imballaggio per futuri trasporti o spostamenti.

# Inversione degli sportelli

Procedere in ordine numerico.



## 5 Utilizzo del frigorifero



### Tasto di impostazione termostato

La temperatura interna del frigorifero cambia per le seguenti cause:

- Temperature stagionali.
- Apertura frequente dello sportello e sportello lasciato aperto per lunghi periodi.
- Alimenti messi nel frigorifero senza lasciarli prima raffreddare a temperatura ambiente.
- Posizionamento del frigorifero nella stanza (per esempio, esposizione alla luce solare).
- Qualora si verificano le suddette situazioni, è possibile adattare la temperatura interna del frigorifero utilizzando il termostato. I numeri riportati intorno al tasto indicano i gradi di raffreddamento.
- Se la temperatura ambiente è superiore ai 32°C, ruotare il tasto del termostato fino al punto massimo.
- Se la temperatura ambiente è inferiore ai 25°C, ruotare il tasto del termostato fino al punto minimo.

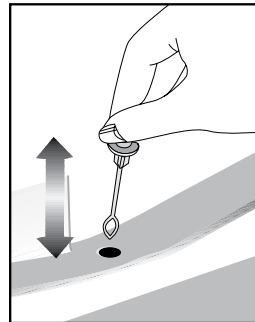
### Sbrinamento

#### A) Scomparto frigo

Lo scomparto frigo effettua l'operazione di sbrinamento in modo totalmente automatico.

È possibile che durante la fase di sbrinamento del frigo si formi uno strato di brina fino a 7-8 mm sulla parete posteriore dello scomparto frigo. Tale fenomeno è una normale conseguenza del sistema di raffreddamento. La brina viene eliminata mediante uno sbrinamento automatico a intervalli, grazie al sistema di sbrinamento automatico posto sulla parete posteriore. Non è pertanto necessario raschiare la brina o rimuovere le gocce d'acqua. L'acqua che viene prodotta dallo sbrinamento passa per la scanalatura di raccolta dell'acqua e fluisce nell'evaporatore attraverso il tubo di scarico e da lì evapora.

Controllare regolarmente per vedere se il tubo di evaporazione è bloccato meno, e pulirlo con il bastoncino nel foro, quando necessario.



## B) Scomparto freezer

Lo scomparto del surgelatore non effettua operazioni di sbrinamento automatico per evitare di compromettere l'integrità dei cibi congelati.

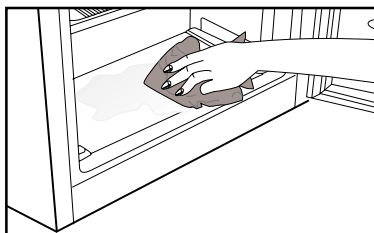
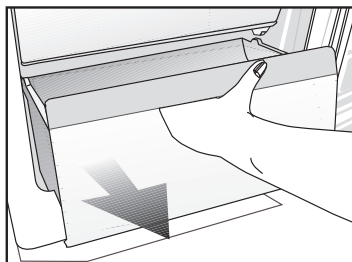
Lo sbrinamento è diretto e senza problemi, grazie a un bacino speciale di raccolta per lo sbrinamento. Sbrinare due volte all'anno o quando si crea uno spessore di ghiaccio di circa 7 mm (1/4"). Per avviare la procedura di sbrinamento, spegnere l'elettrodomestico sulla presa e scollegare il cavo di alimentazione. Tutto il cibo deve essere incartato in diversi strati di carta di giornale e conservato in un luogo fresco (ad esempio un frigorifero o una dispensa). È possibile porre con attenzione contenitori di acqua calda nel freezer per accelerare lo sbrinamento.

Non utilizzare oggetti appuntiti come coltelli o forchette per rimuovere il ghiaccio.

Non utilizzare mai asciugacapelli, stufe o altri elettrodomestici simili per lo sbrinamento.

Pulire via l'acqua di sbrinamento raccolta nella parte inferiore dello scomparto freezer. Dopo lo sbrinamento, asciugare completamente l'interno.

Inserire la spina nella presa a muro e accendere l'alimentazione elettrica.



## 6 Manutenzione e pulizia

---

- ⚠ Non usare mai gasolio, benzene o sostanze simili per scopi di pulizia.
- ⚠ È consigliato scollegare l'apparecchio prima della pulizia.
- ⚠ Non utilizzare mai attrezzi appuntiti o sostanze abrasive, saponi, detergenti per la casa o cere per la pulizia.
- ℹ Utilizzare acqua tiepida per pulire l'alloggiamento del frigorifero e asciugarlo.
- ℹ Utilizzare un panno umido intriso di una soluzione composta da un cucchiaino di bicarbonato di soda e da circa mezzo litro di acqua e pulire l'interno, quindi asciugare.
- ⚠ Assicurarsi che l'acqua non penetri nel quadro di comando della temperatura.
- ⚠ Se il frigorifero non viene usato per un lungo periodo di tempo, scollegare il cavo di alimentazione, rimuovere tutti gli alimenti dal suo interno, pulirlo e lasciare lo sportello aperto.
- ℹ Controllare le guarnizioni della porta periodicamente per garantire che siano pulite e che non siano presenti particelle di cibo.
- ⚠ Per rimuovere il vassoio dello sportello, rimuovere tutto il contenuto e spingere semplicemente il vassoio verso l'alto.

### Protezione delle superfici di plastica

- ℹ Non inserire oli liquidi o piatti cotti in olio nel frigorifero se in contenitori non sigillati poiché questi possono danneggiare le superfici in plastica del frigorifero. In caso di fuoriuscita di olio sulle superfici in plastica, pulire e asciugare le parti della superfici con acqua tiepida.

## 7 Soluzioni consigliate per i problemi

Prima di chiamare il servizio assistenza, rivedere la lista precedente. Si risparmierà tempo e denaro. Questa lista comprende frequenti reclami che non derivano da difetti di lavorazione o dai materiali utilizzati. Alcune delle funzioni descritte qui potrebbero non esistere nel proprio prodotto.

### Il frigorifero non funziona.

- Il frigorifero è correttamente collegato alla corrente? Inserire la spina nella presa a muro.
- Il fusibile della presa a cui è collegato il frigorifero è funzionante o il fusibile principale è saltato? Controllare il fusibile.

### Condensa sulla parete laterale dello scomparto frigo (MULTIZONE, COOL CONTROL e FLEXI ZONE).

- Ambiente in condizioni molto fredde. Apertura e chiusura frequente della porta  
Ambiente in condizioni molto umide Conservazione del cibo contenente liquidi in contenitori aperti. Porta lasciata aperta. Portare il termostato a temperatura inferiore.
- Diminuire il tempo di apertura della porta o aprirla meno frequentemente.
- Coprire il cibo contenuto in contenitori aperti con materiale adatto.
- Asciugare la condensa con un panno asciutto e controllare se continua.

### Il compressore non funziona.

- La protezione termica del compressore è inattiva in caso di mancanza di corrente o di mancato collegamento alla presa, se il sistema refrigerante non è ancora stato regolato. Il frigorifero comincerà a funzionare dopo circa 6 minuti. . Chiamare il servizio assistenza se il frigorifero non inizia a funzionare al termine di questo periodo.
- Il frigorifero è nel ciclo di sbrinamento. Si tratta di una cosa per un frigorifero con sbrinamento completamente automatico. Il ciclo di sbrinamento si verifica periodicamente.
- L'elettrodomestico non è collegato alla presa. Accertarsi che la spina sia inserita in modo corretto nella presa.
- Le regolazioni di temperatura sono eseguite correttamente?
- Potrebbe esserci un'assenza di corrente.



Il freezer funziona frequentemente o per lunghi periodi.

- Il nuovo frigorifero è più grande del precedente. Ciò è abbastanza normale. I grandi frigoriferi lavorano per lunghi periodi di tempo.
- La temperatura ambiente può essere alta. Ciò è abbastanza normale.
- Il frigorifero è stato collegato alla presa di recente o è stato riempito di cibo. Lo sbrinamento completo del frigorifero può durare un paio d'ore.
- Grandi quantità di cibo caldo sono state recentemente inserite. I cibi caldi devono essere raffreddati fino alla temperatura ambiente prima di essere riposti nel frigorifero.
- La porta del freezer rimane aperta per un lungo periodo o le porte sono state aperte di frequente. L'aria tiepida entrata nel frigorifero ne provoca il funzionamento per un periodo più lungo. Aprire le porte meno frequentemente.
- La porta del frigorifero o del freezer è stata lasciata aperta. La/e porta/e non si chiude/chiodono.
- Il frigo è regolato a temperatura molto bassa. Regolare la temperatura del frigorifero ad un livello più alto e attendere fino a che la stessa sia acquisita.
- La chiusura della porta del frigorifero o del freezer può essere usurata, rotta o non inserita in modo appropriato. Pulire o sostituire la guarnizione. Guarnizioni rotte o danneggiate provocano il funzionamento del frigo per periodi più lunghi per mantenere la temperatura corrente.

La temperatura ambiente è molto bassa mentre la temperatura del frigorifero è sufficiente.

- Il frigo è regolato a temperatura molto bassa. Regolare la temperatura ad un livello più alto e controllare.

La temperatura ambiente è molto bassa mentre la temperatura del freezer è sufficiente.

- Il frigorifero potrebbe essere stato regolato a temperatura molto bassa. Regolare la temperatura ad un livello più alto e controllare.

Il cibo che è nei cassetti dello scomparto frigo si sta congelando.

- Il frigorifero potrebbe essere stato regolato a temperatura molto bassa. Regolare la temperatura ad un livello più alto e controllare.

<b>La temperatura del frigo o freezer è molto alta.</b>
<ul style="list-style-type: none"> <li>• Il frigorifero potrebbe essere stato regolato a temperatura molto alta. La regolazione del frigorifero provoca effetti sulla temperatura del freezer. Cambiare la temperatura di frigo o freezer fino a che essa non raggiunge un livello sufficiente.</li> <li>• La porta del freezer rimane aperta per un lungo periodo o le porte sono state aperte di frequente; aprire con minore frequenza.</li> <li>• La porta potrebbe essere rimasta aperta; chiudere la porta completamente.</li> <li>• Grandi quantità di cibo caldo sono state recentemente inserite. Attendere fino a che il frigorifero o freezer non raggiungono la temperatura desiderata.</li> <li>• Il frigorifero è stato collegato alla presa di recente. Lo sbrinamento completo del frigorifero ha bisogno di tempo.</li> </ul>
<b>Il rumore aumenta quando il frigorifero sta lavorando.</b>
<ul style="list-style-type: none"> <li>• La performance operativa del frigorifero può cambiare secondo i cambiamenti della temperatura ambiente. Si tratta di una cosa normale e non di un guasto.</li> </ul>
<b>Vibrazioni o rumore.</b>
<ul style="list-style-type: none"> <li>• Il pavimento non è orizzontale o è debole. Il frigorifero ondeggia quando si sposta lentamente. Accertarsi che il pavimento sia in piano e forte abbastanza da sopportare il frigorifero.</li> <li>• Il rumore potrebbe essere provocato dagli oggetti nel frigorifero. Bisogna rimuovere gli oggetti sopra al frigorifero.</li> </ul>
<b>Ci sono rumori che provengono dal frigorifero come gocciolamenti o spruzzo di liquidi.</b>
<ul style="list-style-type: none"> <li>• Il flusso di liquido e gas si verifica secondo i principi operativi del frigorifero. Si tratta di una cosa normale e non di un guasto.</li> </ul>
<b>C'è un rumore come vento che soffia.</b>
<ul style="list-style-type: none"> <li>• Le ventole sono usate per raffreddare il frigorifero. Si tratta di una cosa normale e non di un guasto.</li> </ul>
<b>Condensa sulla parete interna del frigorifero.</b>
<ul style="list-style-type: none"> <li>• Il clima caldo/umido aumenta il ghiaccio e la condensa. Si tratta di una cosa normale e non di un guasto.</li> <li>• Le porte potrebbero essere state lasciate aperte; assicurarsi che sono completamente chiuse.</li> <li>• La porta del freezer rimane aperta per un lungo periodo o le porte sono state aperte di frequente; aprire con minore frequenza.</li> </ul>
<b>Umidità al di fuori del frigorifero o tra le porte.</b>
<ul style="list-style-type: none"> <li>• Potrebbe esserci umidità nell'aria; questo è normale nei climi umidi. Al diminuire dell'umidità, la condensa scompare.</li> </ul>
<b>Odore cattivo dentro al frigorifero.</b>
<ul style="list-style-type: none"> <li>• L'interno del frigorifero deve essere pulito. Pulire l'interno con una spugna, acqua tiepida o carbonata.</li> <li>• Alcuni contenitori o alcuni materiali per la confezione possono provocare odori. Usare contenitori diversi o marche diverse.</li> </ul>
<b>La porta non è chiusa.</b>
<ul style="list-style-type: none"> <li>• Il cibo impedisce la chiusura della porta. Sostituire le confezioni che ostruiscono la porta.</li> <li>• Il frigorifero non è completamente verticale sul pavimento e rotola quando è spostato leggermente. Regolare le viti di elevazione.</li> <li>• Il pavimento non è orizzontale o forte. Accertarsi che il pavimento sia in piano, forte e in grado di sopportare il frigorifero.</li> </ul>
<b>Gli scomparti frutta e verdura sono bloccati.</b>
<ul style="list-style-type: none"> <li>• Il cibo potrebbe toccare il tetto del cassetto. Risistemare il cibo nel cassetto.</li> </ul>

## Моля първо да прочетете това ръководство!

Уважаеми клиенти,

Надяваме се, че вашият продукт, произведен в съвременни фабрики и проверен при най-стриктни процедури за контрол на качеството, ще ви осигури ефективна работа.




За целта, ви съветваме да прочетете внимателно цялото ръководство за употреба на продукта преди да го ползвате и да го държите под ръка за справки в бъдеще.

### Това ръководство

- Ще ви помогне да използвате уреда по-най-бърз и безопасен начин.
  - Прочетете ръководството преди монтаж и работа с продукта.
  - Следвайте всички инструкции, особено тези за безопасност.
  - Дръжте ръководството на лесно достъпно място, тъй като може да се нуждаете от него.
  - Освен това, прочетете и другите листовки, доставени с продукта.
- Обърнете внимание, че това ръководство може да важи и за други модели уреди.

### Символи и техните описания

Това ръководство за употреба съдържа следните символи:

-  Важна информация или полезни съвети за употреба.
-  Предупреждения при опасност за живота или имуществото.
-  Предупреждения за електрическата мощност.



## **ВНИМАНИЕ!**

Вашия апарат съдържа хладилна течност R 600a (запалим само при определени условия) газ от естествен произход който е силно съвместим със изискванията за опазване на околната среда. За да осигурите нормална работа на Вашият уред моля спазвайте следните правила:

- Осигурете нормална вентилация на уреда.
- Не използвайте механични устройства за размразяване на уреда, освен тези препоръчни от производителя.
- Не наранявайте хладилната верига.
- Не използвайте електрически уреди вътре в апарата.

### Рециклиране



Този продукт носи символ за селективно сортиране за Изхвърляне на електрическо и електронно оборудване (WEEE).

Това означава, че този продукт трябва да се изхвърли в съответствие с Европейската Директива 2002/96/ЕС, за да се рециклира или бъде разглобен с цел намаляване на влиянието върху околната среда. За допълнителна информация се обърнете към местните и регионални власти.

Електронните продукти, които не бъдат включени в процеса на селективно сортиране, са потенциално опасни за околната среда и човешкото здраве поради съдържанието на рискови вещества.

## СЪДЪРЖАНИЕ

---

### **1 Вашият хладилник 3**

### **2 Важни предупреждения относно безопасността 4**

Употреба на уреда .....	4
Обща безопасност .....	4
За продукт с воден разпределител.....	6
Защита от деца .....	6
НСА предупреждение .....	6
Неща, които да направите с цел пестене на енергия.....	6

### **3 Монтаж 7**

На какво да обърнете внимание при повторно транспортиране на хладилника .....	7
Преди да започнете работа с хладилника .....	7
Електрическо свързване .....	7
Изхвърляне на опаковъчните материали .....	7
Изхвърляне на стария ви хладилник. ....	8
Поставяне ни монтиране .....	8
Подмяна на осветителната лампичка .....	8

### **4 Подготовка 8**

Обръщане на вратите.....	9
--------------------------	---

### **5 Използване на хладилника 10**

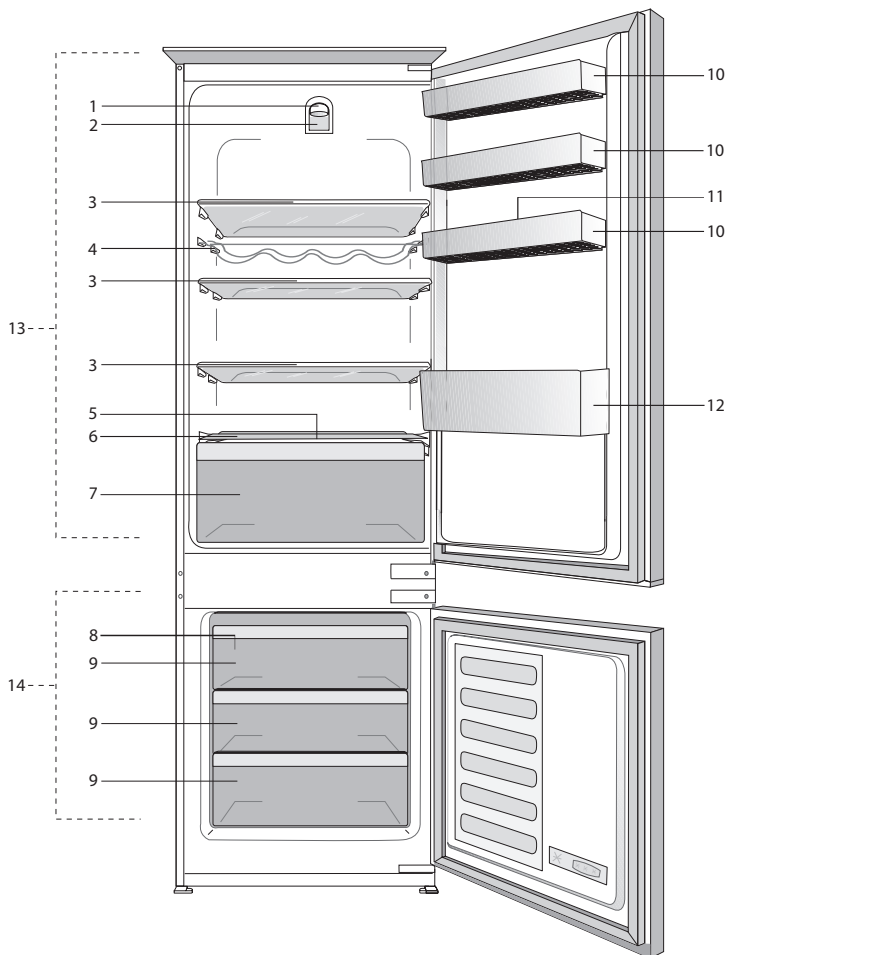
Бутон за настройка на термостата.....	10
Разлеждане .....	10

### **6 Поддръжка и почистване 12**

Предпазване на пластмасовите повърхности .....	12
---	----

### **7 Възможни решения на възникнали проблеми 13**

# 1 Вашият хладилник



1. Копче на термостата
2. Гнездо за лампичката
3. Подвижни рафтове
4. Отдел за бутилки вино
5. Улей за водата от разлеждането - Дренажна тръба
6. Капак на контейнера за плодове и зеленчуци
7. Контейнер за запазване на свежестта

8. Отделение за лед
9. Контейнер за съхранение на замразени храни
10. Подвижни рафтове на вратата
11. Отделение за яйца
12. Рафт за бутилки
13. Хладилно отделение
14. Фризерно отделение

**i** Фигурите в настоящето ръководство за употреба са схематични и може да не отговарят точно на вашия уред. Ако споменатите части липсват във вашия уред, то те важат за други модели.

## 2 Важни предупреждения относно безопасността

Моля, прегледайте следната информация. Неспазването на тази информация може да доведе до наранявания или материални щети. В противен случай всякаква гаранция и отговорност стават невалидни.

### Употреба на уреда

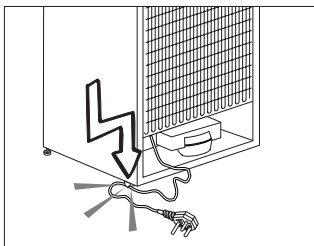
- Този продукт е предназначен за употреба
- в закрити помещения и зони, като например вкъщи;
- в затворена работна среда като например магазин и офиси;
- в затворени сгради за настаняване на хора, като например вили, хотели, пансионни.
- Този продукт не бива да се използва навън.

### Обща безопасност

- Когато решите да изхвърлите продукта, препоръчваме да се консултирате с оторизирания сервиз за да получите нужната информация за това, както и с оторизираните власти.
- Консултирайте се с оторизирания сервиз по всякакви въпроси и проблеми, свързани с хладилника. Не се опитвайте да поправяте сами или да позволявате друг да прави това без да предупредите оторизирания сервиз.
- За продукти с фризерно отделение; Не яжте сладолед или кубчета лед веднага след като ги извадите от фризерното отделение! (Това може да доведе до измръзване в устата ви.)
- За продукти с фризерно отделение; Не поставяйте бутилирани или консервирани течности във фризерното отделение. В противен случай те може да се пръснат.
- Не пийайте замразената храна с ръце; тя може да се залепи за ръката ви.
- Изключете хладилника от контакта преди почистване или размразяване.
- Не бива никога да използвате пара и парни почистващи материали при почистването и разлеждането на хладилника. Парата може да влезе в контакт с електрическите части и да предизвика късо съединение или токов удар.

- Никога не използвайте частите на хладилника, като например вратата за подпора или за стъпване.
- Не използвайте електрически уреди вътре в хладилника.
- Не повреждайте частите, където циркулира охладителя с пробивни или режещи инструменти. Евентуалното изтичане на охладител при пробиване на каналите на изпарителя, удължението на тръбата или покритието върху повърхността може да предизвика раздразнения на кожата или нараняване на очите.
- Не покривайте и не блокирайте с предмети вентилационните отвори на хладилника.
- Електрическите устройства трябва да се ремонтират само от оторизирани лица. Ремонтът, извършен от некомпетентно лице може да създаде риск за потребителя.
- В случай на каквато и да е повреда или по време на поддръжка и ремонт, изключете хладилника от ел. захранване като изключите съответния бушон или извадите щепсела от контакта.
- Не дърпайте за кабела когато искате да извадите щепсела от контакта.
- Високоградусови спиртни напитки трябва да се поставят в хладилника само вертикално и плътно затворени.
- Никога не съхранявайте спрейове съдържащи възпламеними или експлозивни вещества в хладилника.
- Не използвайте механични устройства или други средства, за да ускорите процеса на размразяване, освен посочените от производителя.
- Този уред не е предназначен за употреба от лица с физически, сензорни или умствени разстройства или лица без опит и познания (включително деца), освен ако те не са наблюдавани или инструктирани относно употребата на уреда от отговорно за безопасността им лице.
- Не използвайте хладилника ако е повреден. Ако имате някакви съмнения, се обърнете към сервизния агент.
- Електрическата безопасност на хладилника е гарантирана само ако заземването на ел. инсталация в дома ви отговаря на съответните стандарти.

- Излагането на продукта на дъжд, сняг, слънце и вятър представлява опасност от електрическа гледна точка.
- Свържете се с оторизирания сервиз при повреда в захранващия кабел за да избегнете всякакъв риск.
- Никога не включвайте хладилника в контакта по време на инсталация. В противен случай съществува риск за живота или от сериозно нараняване.
- Тзи хладилник е предназначен само за съхранение на хранителни продукти. Той не бива да се ползва за никакви други цели.
- Етикетът с технически спецификации е разположен върху лявата вътрешна стена на хладилника.
- Никога не свързвайте хладилника с енергоспестяващи системи; те могат да повредят хладилника.
- Ако на хладилника има синя светлина, не разглеждайте синята светлина с оптически устройства.
- За ръчно контролирани хладилници, изчакайте поне 5 минути за да рестартирате хладилника след прекъсване в захранването.
- Това упътване за употреба трябва да се предаде на новия собственик ако уредът бъде продаден на други лица.
- Внимавайте да не повредите захранващия кабел при транспортирането на хладилника. Огъването на кабела може да доведе до пожар. Никога не поставяйте тежки предмети върху захранващия кабел. Не пипайте щепсела с мокри ръце когато включвате уреда в контакта.



- Не включвайте хладилника в разхлабени контакти.
- По причини на безопасността по външността или вътрешността на уреда не бива да се пръска директно вода.
- Не пръскайте субстанции, съдържащи възпламеними газове от рода на пропан газ в близост до хладилника за да избегнете риска от пожар и експлозия.
- Никга не поставяйте съдове, пълни с вода върху хладилника, тъй като това може да доведе до токов удар или пожар.
- Не препълвайте хладилника с прекомерно количество храна. Ако е препълнен, хранителните продукти може да паднат и да ви наранят или да повредят хладилника при отваряне на вратата. Никога не поставяйте предмети върху хладилника; в противен случай те може да изпаднат при отварянето и затварянето на вратата на хладилника.
- Тъй като се нуждаят от точно определена температура на съхранение (ваксини, температурно-зависими лекарства, научни материали, и др.) не бива да се държат в хладилника.
- Ако не бъде използван дълго време, хладилникът трябва да бъде изключен от контакта. Възможно е неизправност в захранващия кабел да доведе до пожар.
- Накрайникът на щепсела трябва да бъде редовно почистван за да се избегне риска от пожар.
- Накрайникът на щепсела трябва да бъде редовно почистван със сух парцал за да се избегне риска от пожар.
- Хладилникът може да мърда ако регулируемите крачета не са стабилно закрепени на пода. Стабилното закрепване на регулируемите крачета на пода може да предпази хладилника от мърдане.
- При преместването на хладилника, не го хващайте за дръжката на вратата. В противен случай тя може да се откъсне.
- Ако се налага да поставите уреда до друг хладилник или фризер, разстоянието между двата уреда трябва да е поне 8см. В противен случай прилежащите странични стени може да се навлажнят.

## За продукт с воден разпределител;

Налягането на водата трябва да е поне 1 бар. Налягането на водата трябва да е под 8 бара.

- Използвайте само питейна вода.

## Защита от деца

- Ако на вратата е поставена ключалка, ключът трябва да се държи далеч от достъпа на деца.
- Децата трябва да бъдат надзиравани за да се избегне играене с уреда.

## НСА предупреждение

### Ак охлаждащата система на уреда ви съдържа R600a:

Този газ е запалим. Затова внимавайте да не повредите охладителната система и тръбите при употреба и транспорт. В случай на повреда, дръжте продукта далеч от потенциални източници на огън, което може да доведе до подпалването на уреда и проветрявайте стаята, където се намира той.

### Не взимайте предвид това предупреждение ако охладителната ви система съдържа R134a.

Типът газ, използван в продукта, е обозначен на страничната табелка с данни върху вътрешната лява страна на хладилника.

Никога не изхвърляйте уреда в огън.

## Неща, които да направите с цел пестене на енергия

- Не оставяйте вратите на хладилника отворени за дълго.
- Не прибирайте горещи храни и напитки в хладилника.
- Не препълвайте хладилника за да не се затруднява въздушната циркулация вътре в него.
- Не инсталирайте хладилника под пряка слънчева светлина или в близост до уреди, излъчващи топлина, като фурни, съдомиялни машини или радиатори.
- Дръжте храната в затворени контейнери.
- За уреди с фризерно отделение; Можете да съхранявате максимално количество хранителни продукти ако свалите рафта или чекмеджето на хладилника. Стойността на енергийната консумация, посочена върху хладилника, е измерена при свален рафт или чекмедже на фризера и при максимално зареждане. Няма никаква опасност да използвате рафт или чекмедже в зависимост от формата и размера на хранителните продукти които замразявате.
- Разлеждането на замразена храна в хладилника ще осигури както пестене на енергия, така и ще запази качеството на хранителните продукти.



## 3 Монтаж

**⚠** Помнете, че производителят не носи отговорност, в случай, че предоставената в ръководството за употреба информация не се спазва.

### На какво да обърнете внимание при повторно транспортиране на хладилника

1. Хладилникът трябва да се изпразни и почисти преди всяко транспортиране.
2. Рафтовете, аксесоарите, контейнера за запазване свежестта и др. в хладилника трябва да се залепят добре с изолирбанд срещу друсането при пренасяне.
3. Опаковката трябва да се обиколи с дебело тиксо и здрави въжета и правилата за транспортиране, напечатани върху опаковката, да се спазват.

#### Не забравяйте...

Всеки рециклиран продукт е от ползва за природата и националните ресурси.

Ако искате да допринесете за рециклирането на опаковъчните материали, може да получите информация за това от местните власти и органи за опазване на околната среда.

### Преди да започнете работа с хладилника

Преди да започнете употреба на хладилника, моля поверете следното:

1. Вътрешността на хладилника суха ли е и може ли въздухът да циркулира свободно в задната му част?
2. Почистете вътрешността на хладилника, както е препоръчано в раздел "**Поддръжка и почистване**".
3. Включете хладилника в контакта. При отваряне на вратата вътрешната лампичка светва.
4. Ще чуете шум, когато компресорът започне да работи. Нормално е течността и газовете в охладителната система да издават шум, дори компресорът да не работи.

5. Предните ъгли на хладилника може да са топли на пипане. Това е нормално. Тези части са проектирани да бъдат топли с цел избягване на кондензацията.

### Електрическо свързване

Свържете хладилника към заземен контакт, който се предпазва от бушон с подходящ капацитет.

Важно:

- Свързването трябва да бъде направено в съответствие с наредбите в страната.
- Щепселът трябва да е лесно достъпен след монтажа.
- Посочената мощност трябва да отговаря на мощността на вашето захранване.
- При свързването не бива да се ползват удължители и разклонители.

**⚠** Ако кабелът е повреден, той трябва да се подмени от квалифициран техник.

**⚠** Уредът не бива да се ползва преди той да бъде поправен! Съществува опасност от токов удар!

### Изхвърляне на опаковъчните материали

Опаковъчните материали може да представляват опасност за децата. Дръжте опаковъчните материали далеч от достъпа на деца или ги изхвърлете разделно, в съответствие с указанията за изхвърляне на отпадъци. Не ги изхвърляйте заедно с другите битови отпадъци.

Опаковката на вашия хладилник е изработена от рециклируеми материали.

## Изхвърляне на стария ви хладилник.

Изхвърлете стария си уред така, че да не навредите на околната среда.

- Може да се консултирате с оторизирания търговец или центъра за събиране на отпадъци във вашата община относно изхвърлянето на хладилника ви.

Преди да изхвърлите хладилника ви, отрежете кабела и, ако вратата е със заключалки, ги направете неизползваеми, така, че да предпазите децата от всякакви евентуални рискове.

## Поставяне ни монтиране

⚠ Ако вратата на стаята, където ще инсталирате хладилника, не е достатъчно широка за да мине през нея хладилника, се обадете в оторизирания сервиз за да свалят вратите на хладилника и го вкарайте странично през вратата.

1. Инсталирайте хладилника на място, където може лесно да се ползва.
2. Дръжте хладилника далеч от топлинни източници, задушни места и пряка слънчева светлина.
3. Трябва да осигурите добра вентилация около хладилника за да може той да работи ефективно. Ако ще монтирате хладилника в ниша в стената, трябва да има поне 5 см разстояние от тавана и стената. Ако подът е покрит с килим, уреждат трябва да се повдигне на 2.5 см от пода.
4. Поставете хладилника върху равна подова повърхност за да се избегне кладене на уреда.
5. Не дръжте хладилника при външна температура под 10°C.

## Подмяна на осветителната лампичка

За да подмените лампичката в хладилника, моля обадете се в оторизирания сервиз. Лампата(ите) в този уред не са подходящи за осветление в битови помещения. Предназначението на тази лампа е да помага на потребителя да оставя хранителни продукти в хладилника/фризера по безопасен и удобен начин.

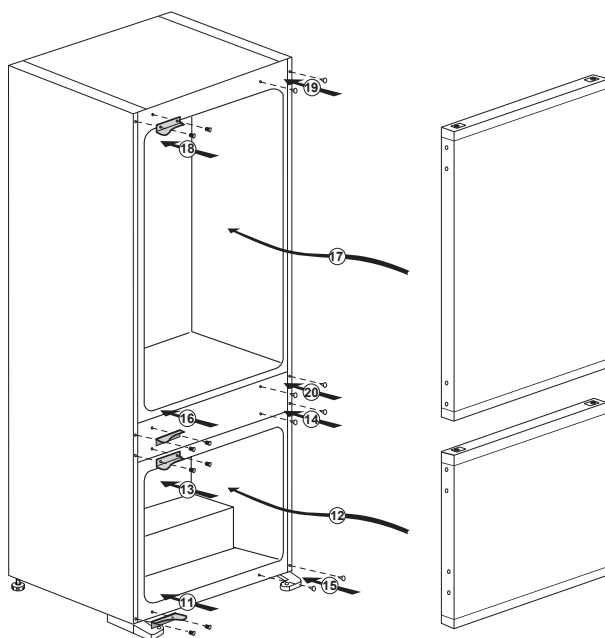
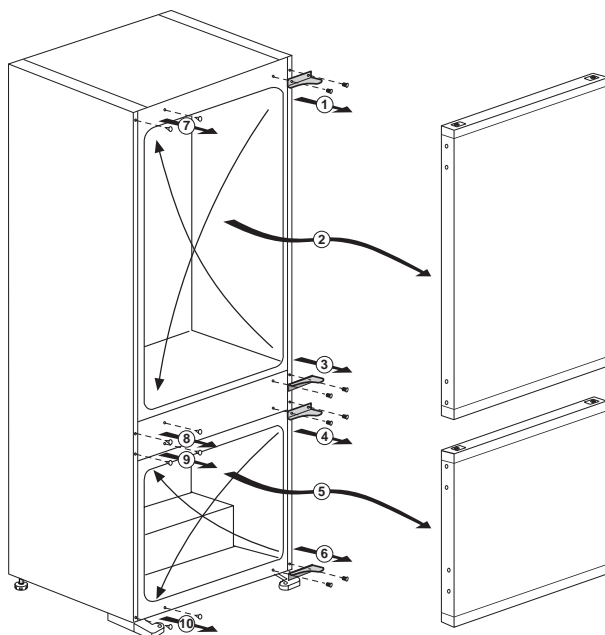
Лампите, използвани в този уред, трябва да издържат на екстремни физически условия като температура под -20°C.

## 4 Подготовка

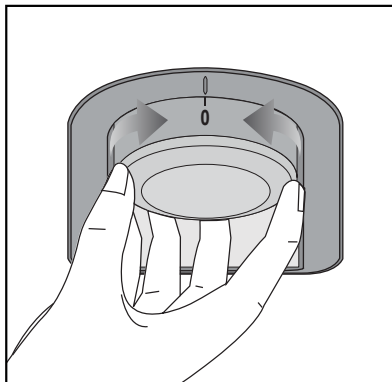
- Хладилникът ви трябва да се инсталира поне на 30 см разстояние от топлинни източници като котлони, фурни, централно парно, на поне 5 см от електрически печки и не трябва да се излага на пряка слънчева светлина.
- Температурата в стаята, където ще инсталирате хладилника, трябва да е поне 10°C. Употребата на хладилника при по-студени условия не е препоръчителна, тъй като това се отразява на ефективността му.
- Проверете дали вътрешността на хладилника е почистена изцяло.
- Ако два хладилника се инсталират един до друг, трябва да има поне 2 см разстояние помежду им.
- Когато използвате хладилника за първи път, следвайте следните указания през първите 6 часа.
  - Вратата не бива да се отваря често.
  - Хладилникът трябва да работи празен, без храна в него.
  - Не изключвайте хладилника от щепсела. Ако има прекъсване на захранването, което не можете да контролирате, моля прочетете предупрежденията в раздел **“Възможни решения на възникнали проблеми”**.
- Оригиналната опаковка и изолиращи материали трябва да се запазят за бъдещо транспортиране или преместване.

## Обръщане на вратите

Процедирайте по ред на номерата.



## 5 Използване на хладилника



### Бутон за настройка на термостата

Вътрешната температура на хладилника се променя поради следните причини:

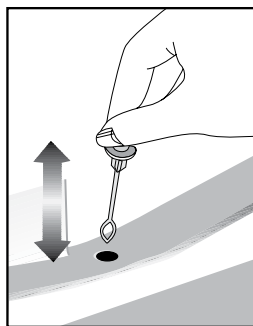
- Сезонни температурни промени.
- Често отваряне на вратата и оставянето и за дълго отворена.
- Поставянето на храна, която не е охладена до стайна температура.
- Мястото на хладилника в стаята (напр. излагане на слънце).
- С помощта на термостата може да нагласите вътрешната температура спрямо тези обстоятелства. Номерата около термостатния бутон показват градусите на охлаждане.
- Ако околната температура е над 32°C, завъртете термостатния бутон на максимална позиция.
- Ако околната температура е под 25°C, завъртете термостатния бутон на минимална позиция.

### Разлеждане

#### А) Хладилно отделение

Хладилното отделение осъществява изцяло автоматично размразяване. Докато хладилникът ви охлажда могат да се появят водни капки и заскрежавания до 8 мм на вътрешната задна стена в хладилното отделение. Тези образувания се получават от охлаждащата система. Образуваният лед се разлежда чрез автоматичното размразяване на няколко интервала, извършвано от автоматичната разлеждаща система на задната стена. На потребителя не се налага да изстърква леда или да премахва водните капки.

Водата, образувана при разлеждането преминава през улея за събиране на вода и през дренажната тръба минава в изпарителя докато се изпари сама. Редовно проверявайте дали дренажната тръба не е запушена и при необходимост я почиствайте с боцване на дупката.



## В) Фризерно отделение

Отделението за дълбоко замразяване не извършва автоматично разлеждане за да не се развали замразената храна.

Размразяването става много лесно и безпроблемно, благодарение на специалното легенче за събиране на размразената вода.

Размразявайте два пъти годишно или при образуване на 7мм (1/4") леден пласт. За да започнете с разлеждането, изключете уреда от превключвателя и извадете захранващия кабел от контакта.

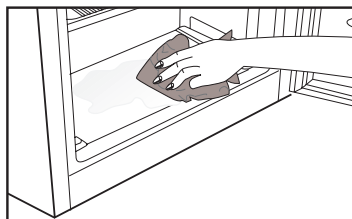
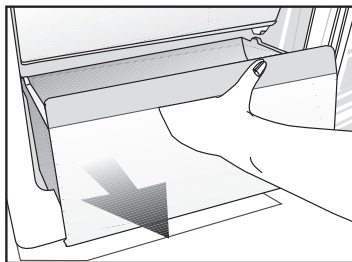
Всички хранителни продукти трябва да се увият в няколко пласта вестник и да се съхраняват на хладно място (напр. хладилник или килер).

Може да поставите внимателно съдове с топла вода във фризера за да се ускори разлеждането.











Не използвайте остри предмети като ножове и вилици за да свалите леда. Никога не използвайте сешуари, ел. печки и други подобни уреди за разлеждане на уреда.

Попийте с гъба водата, събрала се при разлеждането в долната част на отделението на фризера. След разлеждането, подсушете цялостно вътрешността.

Вкарайте щепсела в контакта и включете електрическото захранване.



## 6 Поддръжка и почистване

-  Никога не използвайте газ, бензин или подобни вещества за почистване на уреда.
-  Препоръчваме ви да изключите уреда от контакта, преди почистване.
-  Никога не използвайте за почистване остри или абразивни материали, сапун, домакински препарати, перилни препарати или полир.
-  Използвайте хладка вода, за да почистите корпуса на хладилника, и подсушете.
-  Използвайте влажна кърпа, натопена в разтвор от една супена лъжица сода бикарбонат в половин литър вода, за да почистите вътрешността, и подсушете.
-  В гнездото на лампата и другите електрически компоненти не бива да навлиза вода.
-  Ако хладилникът няма да се използва дълго време, изключете го от контакта, извадете всички хранителни продукти, почистете го и оставете вратата открената.
-  Редовно проверявайте уплътненията на вратата, за да сте сигурни, че са чисти и че по тях няма хранителни остатъци.
-  За да свалите рафт от вратата, извадете всички продукти и го бутнете нагоре от основата му.
-  Никога не използвайте почистващи препарати или вода със съдържание на хлор за почистване на външните повърхности и хромираните части на продукта. Хлорът разяжда такива метални повърхности.

### Предпазване на пластмасовите повърхности

- Не слагайте течни мазнини или готвени в мазнина ястия в хладилника освен в затворен контейнер, тъй като те повреждат пластмасовите повърхности на хладилника. В случай на разливане или омазване на пластмасовите повърхности с мазнина, почистете и изплакнете съответната част от повърхността с топла вода.

## 7 Възможни решения на възникнали проблеми

Моля, прегледайте този списък преди да се обадите в сервиза. Това може да ви спести време и пари. Този списък съдържа проблеми, които не са в резултат на дефетно производство или лоша употреба на материали. Някои от описаните тук характеристики може да не са налични на вашия продукт.

Хладилникът не работи.

- Хладилникът правилно ли е включен в контакта? Включете щепсела в контакта.
- Да не е изгорял бушонът на контакта, към който е свързан хладилника или главният бушон? Проверете бушона.

Кондензация на вода по страничната стена на хладилното отделение (MULTI ZONE, COOL CONTROL ve FLEXI ZONE).

- Много студени външни температурни условия. Често отваряне и затваряне на вратата. Много влажни външни условия. Съхранение на храни със съдържание на течности в отворените контейнери. Оставена откритата вратата.
- Превключете термостата на по-ниска стойност.
- Дръжте вратата отворена по-кратко време или я използвайте по рядко.
- Покривайте храните, съхранявани в отворени контейнери с подходящи материали.
- Избършете кондензираната вода със сух парцал и проверете дали се кондензира отново.

Компресорът не работи.

- Защитният термостат на компресора се изключва при внезапно прекъсване в захранването или при включване и изключване от контакта тъй като налягането на охладителя в охладителната система на хладилника все още не е уравновесен.
- Хладилникът ще започне да работи след около 6 минути. Ако след този период от време хладилникът не почне да работи, се свържете със сервиза.
- Хладилникът е в цикъл на разлеждане. Това е нормално за хладилник с напълно автоматично разлеждане. Цикълът на разлеждане се задейства периодично.
- Хладилникът не е включен в контакта. Проверете дали щепселът е пъхнат докрай в контакта.
- Правилно ли са направени температурните настройки? Прекъснато е ел. захранването. Обадете се в енергоснабдяване.

Хладилникът работи често или продължително време.

- Новият ви хладилник може да е по-широк от предишния. Това е съвсем нормално. Големите хладилници работят по-дълго време.
- Стайната температура е висока. Това е нормално.
- Хладилникът може скоро да е включен в контакта или да е зареден с храна. Пълното охлаждане на хладилника може да продължи няколко часа по-дълго.
- Възможно е наскоро да сте поставили големи количества топла храна в хладилника. Горещата храна води до по-продължителна работа на хладилника до достигане на необходимата ѝ температура на съхранение.
- Вратите може да са били отворяни често или оставени открити за дълго време. Топлият въздух, проникнал в хладилника, го кара да работи за по-продължителни периоди. Избягвайте да отваряте вратите толкова често.
- Вратата на фризерното или хладилно отделение може да е била оставена откритата. Проверете дали вратите са плътно затворени.
- Хладилникът е настроен на много ниска температура. Настройте хладилника на по-висок градус и изчакайте докато достигне температурата.
- Уплътнението на вратата на хладилника или фризера може да е замърсено, износено, повредено или неправилно поставено. Почистете или подменете уплътнението. Повреденото уплътнение кара хладилника да работи по-продължително време за да поддържа температурата.

Температурата във фризера е много ниска, докато температурата в хладилника е задоволителна.

- Фризерът е настроен на много ниска температура. Настройте температурата във фризера на по-висока стойност и проверете.

Температурата в хладилника е много ниска, докато температурата във фризера е задоволителна.

- Хладилникът е настроен на много ниска температура. Настройте температурата в хладилника на по-висока стойност и проверете.

Хранителните продукти, съхранявани в чекмеджетата на хладилното отделение, замръзват.

- Хладилникът е настроен на много ниска температура. Настройте температурата в хладилника на по-висока стойност и проверете.



Температурата в хладилника или фризера е много висока.
<ul style="list-style-type: none"> <li>• Хладилникът е настроен на много висока температура. Настройката на хладилника оказва влияние върху температурата във фризера. Променете температурата в хладилника или фризера до достигане на задоволително ниво.</li> <li>• Вратата може да е оставена откритата. Затворете вратата докрай.</li> <li>• Възможно е наскоро да сте поставили големи количества топла храна в хладилника. Изчакайте хладилникът или фризерът да достигнат желаната температура.</li> <li>• Хладилникът може скоро да е включен в контакта. Пълното охлаждане на хладилника отнема време поради големият обем.</li> </ul>
От хладилника се чува шум, подобен на часовниково тиктакане.
<ul style="list-style-type: none"> <li>• Този шум идва от електромагнитния клапан на хладилника. Електромагнитният клапан работи за да подсуши преминаването на охлаждащата течност през отделението, което може да се настрои на охлаждащи или зампазващи температури и осигурява охлаждащия ефект. Това е нормално и не е признак на повреда.</li> </ul>
Работният шум се увеличава когато хладилникът работи.
<ul style="list-style-type: none"> <li>• Оперативните характеристики на хладилника ви може да се променят в зависимост от промените на околната температура. Това е нормално и не е повреда.</li> </ul>
Вибрации или шум.
<ul style="list-style-type: none"> <li>• Подът не е равен или издръжлив. Хладилникът се люлее при леко помръдване. Уверете се, че подът е равен, издръжлив и способен да издържи хладилника.</li> <li>• Шумът може да идва от предметите, поставени върху хладилника. Те трябва да се свалят от хладилника.</li> </ul>
Чуват се шумове като от разливане на течност или спрей.
<ul style="list-style-type: none"> <li>• Потокът на течност и газ е в съответствие с оперативните принципи на хладилника ви. Това е нормално и не е повреда.</li> </ul>
Чува се шум като от духане на вятър.
<ul style="list-style-type: none"> <li>• Въздушните активатори (вентилатори) се използват за да може хладилникът да охлажда по-ефективно. Това е нормално и не е повреда.</li> </ul>
Кондензация по вътрешните страни на хладилника.
<ul style="list-style-type: none"> <li>• Топлият и влажен климат повишава залеждането и кондензацията. Това е нормално и не е повреда.</li> <li>• Вратите са открити. Проверете дали вратите са плътно затворени.</li> <li>• Вратите може да са отворени твърде често или да са оставени отворени продължително време. Избягвайте да отваряте вратата толкова често.</li> </ul>
Отвън на хладилника или между вратите се събира влага.
<ul style="list-style-type: none"> <li>• Климатът е влажен. Това е съвсем нормално при влажен климат. Когато влажността във въздуха намалее, кондензираната вода ще изчезне.</li> </ul>
Лоша миризма в хладилника.
<ul style="list-style-type: none"> <li>• Вътрешността на хладилника трябва да се почисти. Почистете вътрешността на хладилника с гъба, топла или газирана вода.</li> <li>• Миризмата може да излиза от контейнери или опаковъчни материали. Използвайте друг контейнер или различна марка опаковъчни материали.</li> </ul>
Вратата/вратите не се затваря(т).
<ul style="list-style-type: none"> <li>• Пакетите с храна може да пречат на затварянето на вратата. Преместете пакетите, които пречат на вратата.</li> <li>• Хладилникът може да не е нивелиран напълно вертикално върху пода и да се люлее при леко помръдване. Настойте повдигащите винтове.</li> <li>• Подът не е равен или издръжлив. Уверете се, че подът е равен и способен да издържи хладилника.</li> </ul>
Контейнерите за запазване на свежестта са заклещени.
<ul style="list-style-type: none"> <li>• Храната може да докосва горната част на чекмеджето. Разместете храната в чекмеджето.</li> </ul>

## Prosimo, da najprej preberete navodila za uporabo!

Dragi kupec,

Upamo, da bo naprava, ki je bila izdelana v modernih obratih in preizkušena z natančnimi postopki kakovosti, zagotovila učinkovito delovanje.

Zato priporočamo, da pred uporabo pazljivo preberete celotna navodila za uporabo naprave in jih hranite v bližini, saj jih boste morda potrebovali v prihodnje.

### Priročnik

- Priročnik vam bo pomagal pri hitri in varni uporabi naprave.
  - Priročnik preberite preden napravo namestite in uporabite.
  - Sledite navodilom, predvsem varnostnim.
  - Priročnik hranite na lahko dosegljivem mestu, saj ga boste morda kasneje potrebovali.
  - Poleg tega preberite tudi ostale dokumente, ki so priloženi napravi.
- Prosimo upoštevajte, da je priročnik lahko veljaven tudi za druge modele.

### Simboli in njihov opis

Navodila za uporabo vsebujejo naslednje simbole:

- 📖 Pomembne informacije in koristni nasveti za uporabo.
- ⚠️ Opozorila pred nevarnostmi za življenje in lastnino.
- ⚡ Opozorila pred električno napetostjo.

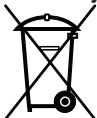


### **OPOZORILO!**

Za normalno delovanje vaše zamrzovalne naprave, ki uporablja naravi prijazno hladilno sredstvo R600a (vnetljivo samo pod določenimi pogoji), je treba upoštevati naslednja pravila:

- Ne zadržujte prostega pretoka zraka okoli naprave.
- Za hitrejše odtajanje, ne uporabljajte mehanskih naprav, ki jih ni priporočil proizvajalec.
- Ne uničujte hladilnega krogotoka.
- V prostoru za hrano ne uporabljajte električnih naprav, ki jih ni priporočil proizvajalec.

### Recikliranje



Izdelek vsebuje izbirni sortirni simbol za odpadno električno in elektronsko opremo (WEEE).

To pomeni, da je treba z izdelkom ravnati v skladu z Evropsko direktivo 2002/96/ES in ga reciklirati ali demontirati tako, da se zmanjša vpliv na okolje. Za nadaljnje informacije se prosimo obrnite na lokalne ali regionalne oblasti.

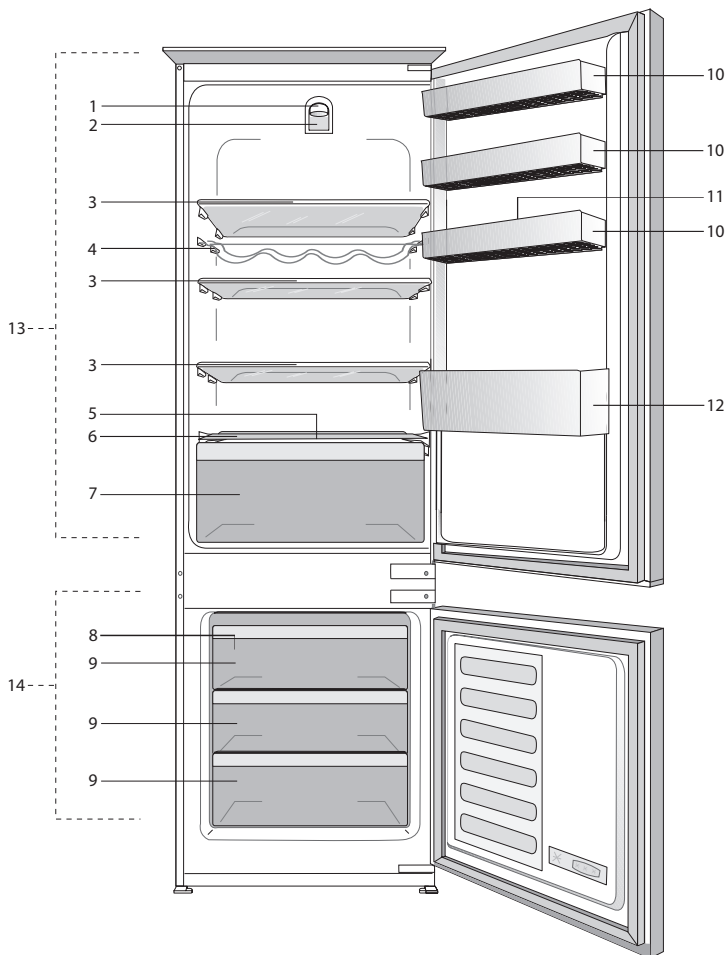
Elektronski izdelki, ki niso vključeni v selektivni sortirni proces so potencialno nevarni za okolje in človeško zdravje zaradi prisotnosti nevarnih substanc.

## VSEBINA

---

<b>1 Vaš hladilnik</b>	<b>3</b>	<b>4 Priprava</b>	<b>10</b>
<b>2 Pomembna varnostna opozorila</b>	<b>4</b>	<b>5 Uporaba hladilnika</b>	<b>11</b>
Namen uporabe .....	4	Gumb za nastavitev temperature .....	11
Splošna varnost.....	4	Odtajanje.....	11
Za naprave z dispenzerjem za vodo; ..	6	<b>6 Vzdrževanje in čiščenje</b>	<b>13</b>
Varnost otrok .....	6	Zaščita plastičnih površin .....	13
Opozorilo HCA .....	6	<b>7 Priporočljive rešitve za težave</b>	<b>14</b>
Varčevanje z energijo.....	6		
<b>3 Namestitev</b>	<b>7</b>		
Napotki, ki jih je treba upoštevati ob ponovnem prevozu hladilnika.....	7		
Pred uporabo hladilnika .....	7		
Električna povezava .....	7		
Odstranjevanje embalaže .....	7		
Odstranjevanje starega hladilnika .....	8		
Namestitev in montaža .....	8		
Zamenjava notranje žarnice.....	8		
Obrniti vrata.....	9		

# 1 Vaš hladilnik



1. Gumb za nastavitev temperature
2. Notranja luc
3. Nastavljive police
4. Podpora za vino
5. Zbiralni kanal odtaljene vode - cev za izpust
6. Zelenjavni koš pokrov
7. Predal za svežo solato
8. Pladenj za led in stojalo zanj
9. Predali za shranjevanje zamrznjenih živil
10. Nastavljive police na vratih
11. Predel za jajca
12. Polica za steklenice
13. Hladilni del
14. Zamrzovalni del

**f** Slike v navodilih za uporabo so shematske in morda ne ustrezajo vašemu proizvodu. Če naprava, ki ste jo kupili, ne vsebuje določenih delov, so veljavni za druge modele.

## 2 Pomembna varnostna opozorila

Prosimo, preglejte naslednje informacije. Če ne boste upoštevali teh informacij, lahko pride do telesnih poškodb ali poškodb materiala. V nasprotnem primeru garancija in zanesljivost nista veljavni.

### Namen uporabe

Naprava je namenjena uporabi:

- znotraj in v zaprtih prostorih, kot so domovi;
- v zaprtih delovnih prostorih kot so trgovine ali pisarne;
- v zaprtih prostorih za nastanitev, kot so kmetije, hoteli, penzioni.
- Naprave ne uporabljajte na prostem.

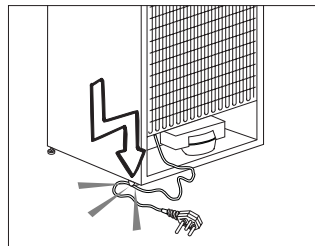
### Splošna varnost

- Ko želite proizvod odstraniti/odvreči, Vam priporočamo, da se posvetujete s pooblaščen servisno službo in organi, da pridobite potrebne informacije.
- Pri morebitnih vprašanjih ali težavah s hladilnikom se posvetujte s pooblaščen servisno službo. Brez sporočila pooblaščen servisni službi ne posegajte v hladilnik sami ali s tujo pomočjo.
- Za naprave z zamrzovalnim delom; Sladoleda in ledenih kock ne jejte takoj, ko jih vzamete iz zamrzovalnega dela! (Povzročijo lahko ozeblino v ustih.)

- Za naprave z zamrzovalnim delom; V zamrzovalnem delu ne shranjujte tekočin v steklenicah ali pločevinkah. V nasprotnem primeru lahko počijo.
- Zamrznjenih živil se ne dotikajte z rokami, saj lahko primrznejo.
- Pred čiščenjem ali odtajanjem hladilnik izključite iz električnega omrežja.
- Hladilnika nikoli ne čistite in odtajajte s paro ali parnimi čistilnimi sredstvi. Para lahko pride v stik z električnimi deli in povzroči kratki stik ali električni udar.
- Delov hladilnika kot so vrata nikoli ne uporabljajte kot opornike ali stopnico.
- V hladilniku ne uporabljajte električnih naprav.
- Delov, kjer hladilno sredstvo kroži, ne poškodujte z napravami za vrtnanje ali rezanje. Če se plinski kanali izparilnika, podaljški cevi ali površinske prevleke prebodejo, lahko hladilno sredstvo prodre in povzroči draženje kože ali poškodbe oči.
- Ne pokrivajte ali blokirajte zračnih odprtin na hladilniku z nobenim materialom.
- Električne naprave lahko popravljajo samo pooblaščene osebe. Popravila, ki jih izvajajo nepooblaščene osebe, povzročijo nevarnost za uporabnika.
- V primeru kakršnekoli napake ali pred vzdrževalnimi deli in popravili obvezno izključite električno napajanje hladilnika tako, da izključite zadevno varovalko ali iztaknete vtič naprave.
- Ko izklopite vtič, ne vlecite za kabel.
- Koncentrirane alkoholne pijače hranite dobro zaprte in v pokončnem položaju.

- V hladilniku nikoli ne shranjujte razpršilcev, ki vsebujejo vnetljive in eksplozivne substance.
- Za pospeševanje postopka odtajanja ne uporabljajte mehanskih naprav ali drugih pripomočkov, razen tistih, ki jih priporoča proizvajalec.
- Naprave naj ne uporabljajo osebe s fizičnimi, senzornimi ali duševnimi motnjami ali osebe, ki nimajo potrebnega znanja oziroma izkušenj (vključno z otroki), razen če jih nadzira oseba, ki je odgovorna za njihovo varnost ali oseba, ki jim bo ustrezno svetovala glede uporabe naprave.
- Ne uporabljajte poškodovanega hladilnika. Če imate kakršne koli pomisleke, se obrnite na servisno službo.
- Električna varnost hladilnika je zagotovljena, le če ozemljitveni sistem v hiši ustreza standardom.
- Izpostavljanje proizvoda dežju, snegu, soncu ali vetru predstavlja električno nevarnost.
- Če je napetostni kabel poškodovan, se obrnite na pooblaščen servisno službo, da se izognete nevarnostim.
- Hladilnika med montažo nikoli ne vključite v vtičnico. V nasprotnem primeru obstaja nevarnost smrti ali resne poškodbe.
- Hladilnik je namenjen samo shranjevanju živil. Ne uporabljajte ga v druge namene.
- Etiketa s tehničnimi specifikacijami se nahaja na levi steni znotraj hladilnika.
- Hladilnika ne priključujte na sisteme varčevanja električne energije, saj ga lahko poškodujejo.
- Če je na hladilniku modra lučka, ne glejte vanjo skozi optične naprave.

- Pri hladilnikih z ročnim upravljanjem, počakajte vsaj 5 minut, preden ga po električnem izpadu ponovno priključite.
- Če napravo dobi nov lastnik, mu izročite tudi navodila za uporabo.
- Med prenašanjem hladilnika ne poškodujte napetostnega kabla. Upogibanje kabla lahko povzroči požar. Na napetostni kabel nikoli ne postavljajte težkih predmetov. Ko napravo priklapljate, se ne dotikajte vtiča z mokrimi rokami.



- Hladilnika ne priključujte v razrahljano vtičnico.
- Iz varnostnih razlogov na notranjih ali zunanjih delih naprave ne škropite vode.
- V bližini hladilnika ne pršite vnetljivih plinov, kot je propan, saj obstaja nevarnost požara ali eksplozije.
- Na hladilnik nikoli ne postavljajte posod z vodo, saj to lahko povzroči električni udar ali požar.
- Hladilnika ne preobremenjujte s prekomernimi količinami živil. Če je naprava prenapolnjena, lahko živila med odpiranjem vrat hladilnika padejo dol in vas poškodujejo ali povzročijo škodo na hladilniku. Na hladilnik nikoli ne postavljajte predmetov, saj lahko med odpiranjem ali zapiranjem vrat hladilnika padejo dol.

- Cepiv, zdravil, občutljivih na toploto, znanstvenih materialov itd. ne shranjujte v hladilnik, saj zahtevajo določeno temperaturo.
- Če hladilnika ne boste uporabljali dlje časa, ga izklopite. Težave v napetostnem kablu namreč lahko povzročijo požar.
- Konico vtiča je treba redno čistiti, saj lahko v nasprotnem primeru povzroči požar.
- Konico vtiča je treba redno čistiti s suho krpo, saj lahko v nasprotnem primeru povzroči požar.
- Če nastavljive noge niso dobro nameščene na tleh, se hladilnik lahko premika. Če nastavljive noge dobro namestite na tla, lahko preprečite premikanje hladilnika.
- Med prenašanjem hladilnika ne držite za ročaje na vratih, saj jih lahko odtrgate.
- Če napravo namestite zraven drugega hladilnika ali zamrzovalnika, naj bo razdalja med napravami vsaj 8 cm. V nasprotnem primeru se lahko na sosednjih stenah naprav pojavi vlaga.

## Za naprave z dispencerjem za vodo;

Pritisk vodovodnega omrežja naj bo vsaj 1 bar. Pritisk vodovodnega omrežja naj bo največ 8 barov.

- Uporabljajte samo pitno vodo.

## Varnost otrok

- Če imajo vrata klučavnico, jo hranite izven dosega otrok.
- Otroke je treba nadzirati, da se ne igrajo z napravo.

## Opozorilo HCA

### Če hladilni sistem naprave vsebuje R600a:

Ta plin je vnetljiv. Zato pazite, da med uporabo in transportom ne poškodujete hladilnega sistema in cevi. V primeru poškodbe, naj proizvod ne bo v bližini potencialnih virov ognja, ob katerih se lahko vname in prezračite prostor, v katerem je naprava.

### To opozorilo ne velja, če hladilni sistem vaše naprave vsebuje R134a.

Vrsta plina, ki ga vsebuje naprava, je navedena na tipski plošči na levi steni znotraj hladilnika. Naprave nikoli ne sežgite, da bi se je znebili.

## Varčevanje z energijo

- Vrat hladilnika ne puščajte odprtih dalj časa.
- V hladilniku ne shranjujte toplih živil ali pijač.
- Hladilnika ne napolnite preobilno, saj s tem preprečite kroženje zraka.
- Hladilnika ne postavljajte na neposredno sočno svetlobo ali v bližino naprav, ki oddajajo toploto, kot so pečice, pomivalni stroji ali radiatorji.
- Živila shranjujte v zaprtih posodah.
- Za naprave z zamrzovalnim delom; v napravo lahko shranite največjo količino živil, če odstranite polico ali predal zamrzovalnika. Vrednost porabe energije se je določila, ko se je odstranila polica ali predal zamrzovalnika in je bila naprava napolnjena z največjo količino živil. Uporaba police ali predala glede na oblike in velikost živil, ki jih želite shraniti, ne predstavlja nevarnosti.
- Odtajanje zamrznjenih živil v hladilnem delu, bo privarčevalo energijo in ohranilo kakovost živil.

### 3 Namestitev

⚠ Proizvajalec ne bo odgovarjal, če ne boste upoštevali informacij v navodilih za uporabo.

#### Napotki, ki jih je treba upoštevati ob ponovnem prevozu hladilnika

1. Hladilnik morate izprazniti in očistiti pred vsakim prevozom.
2. Police, pripomočke, predale za sveža živila itd. v hladilniku pred ponovnim pakiranjem varno pritrdite z lepilnim trakom, da jih zaščitite pred sunki.
3. Embalažo pričvrstite z debelimi trakovi in močnimi vrvmi ter sledite navodilom za prevoz natisnjenih na embalaži.

#### Prosimo, ne pozabite...

Vsak recikliran material je nujen vir za naravo in nacionalne vire.

Če želite sodelovati pri recikliranju embalažnega materiala, se za nadaljnje informacije obrnite na okoljske organe ali lokalne oblasti.

#### Pred uporabo hladilnika

Preden pričnete uporabljati hladilnik, preverite naslednje;

1. Ali je notranjost hladilnika suha in lahko zrak v zadnjem delu prosto kroži?
2. Notranjost hladilnika očistite kot je priporočeno v poglavju »Vzdrževanje in čiščenje«.
3. Hladilnik priključite v vtičnico električnega omrežja. Ko se vrata hladilnika odprejo, zasveti notranja luč hladilnega dela.

4. Ko se vklopi kompresor, boste zaslišali hrup. Tekočina in plini v hladilnem sistemu običajno lahko povzročijo hrup, tudi kadar kompresor ne deluje.
5. Sprednji robovi hladilnika so lahko topli na dotik. To je običajno. Te površine so oblikovane, tako da so tople, kar preprečuje kondenzacijo.

#### Električna povezava

Napravo priključite v ozemljeno vtičnico, ki je zaščiten z varovalko ustreznosti zmogljivosti. Pomembno:

- Priključitev mora ustrezati nacionalnim predpisom.
- Vtič napajalnega kabla naj bo po namestitvi lahko dostopen.
- Določena napetost mora ustrezati omrežni napetosti.
- Za priključitev ne uporabljajte podaljševalnih kablov ali večpotnih vtičev.

⚠ Poškodovan napajalni kabel lahko zamenja le usposobljen električar.

⚠ Naprave ne uporabljajte preden ni popravljena! Obstaja nevarnost električnega udara!

#### Odstranjevanje embalaže

Embalažni material je lahko nevaren za otroke. Embalažni material hranite izven dosega otrok ali ga odstranite v skladu z navodili za odstranjevanje odpadkov. Ne odstranite ga z običajnimi gospodinjskimi odpadki. Embalaža hladilnika je izdelana iz materiala primerne za recikliranje.



## Odstranjevanje starega hladilnika

Star hladilnik odstranite okolju prijazno.

- Glede odstranjevanja hladilnika se posvetujte s pooblaščenim prodajalcem ali centrom za zbiranje odpadkov v vaši občini.

Preden odstranite hladilnik, izklopite električni vtič in onemogočite morebitne ključavnice na vratih, da zaščitite otroke pred nevarnostmi.

## Namestitev in montaža

⚠ Če vhodna vrata sobe, kjer boste namestili hladilnik niso dovolj široka, da bi hladilnik lahko spravili skozi, pokličite pooblaščen servisno službo, da bodo odstranili vrata hladilnika in ga bočno spravite skozi vrata.

1. Namestite hladilnik na mesto, ki bo omogočalo preprosto uporabo.
2. Hladilnik naj ne bo v bližini toplotnih virov, vlažnih prostorov ali neposredne sončne svetlobe.
3. Za učinkovito delovanje mora biti prostor okrog hladilnika ustrezno prezračen. Če bo hladilnik nameščen v vdolbino v steni, mora biti najmanj 5 cm razmika od stropa in najmanj 5 cm razmika od stene. Če so tla pokrita s preprogo, mora biti proizvod 2,5 cm nad tlemi.
4. Da bi preprečili tresenje, namestite hladilnik na ravno talno površino.
5. Temperatura prostora, kjer je hladilnik, naj ne bo pod 10°C.

## Zamenjava notranje žarnice

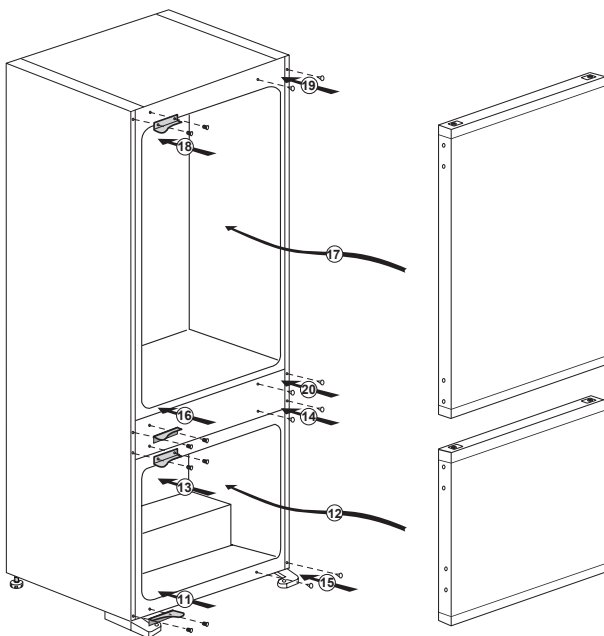
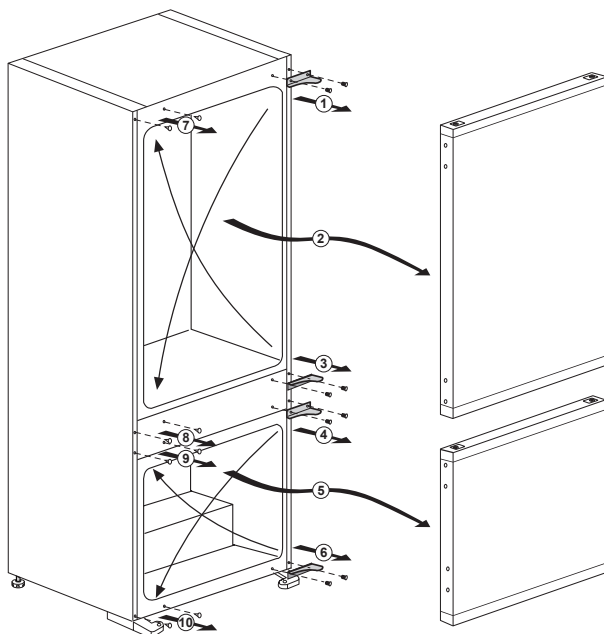
Zamenjavo žarnice, ki se uporablja za osvetlitev hladilnika, naročite na pooblaščenem servisu.

Lučka, uporabljena v tej napravi, ni primerna za razsvetljavo prostorov v gospodinjstvu. Namembnost te lučke je pomagati uporabniku, da lahko daje živila v hladilnik / zamrzovalnik na varen in udoben način.

Luči, uporabljene v tej napravi, morajo prenesti ekstremne fizične pogoje, kot so temperature pod -20°C.

# Obrniti vrata

Sledite zaporedju.

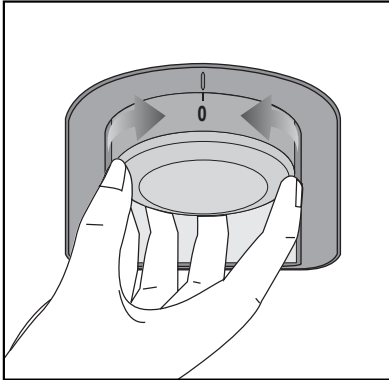


## 4 Priprava

---

- Hladilnik morate namestiti vsaj 30 cm od virov toplote kot so kuhalne plošče, pečice, glavni grelci ali štedilniki in vsaj 5 cm od električnih pečic, prav tako ga ne postavljajte pod neposredno sončno svetlobo.
- Temperatura prostora kjer boste namestili hladilnik naj bo vsaj 10°C. Delovanje hladilnika v hladnejših pogojih ni priporočljivo, saj vpliva na njegovo učinkovitost.
- Prepričajte se, da je notranjost hladilnika popolnoma čista.
- Če bosta dva hladilnika nameščena drug ob drugem, naj bo vmes vsaj 2 cm razmika.
- Pri prvi uporabi hladilnika upoštevajte naslednja navodila med prvimi šestimi urami delovanja.
- Izognite se pogostemu odpiranju vrat.
- Delovati mora prazen, brez živil.
- Hladilnika ne izklopite. Če se pojavi nenadzorovan izpad elektrike, upoštevajte opozorila v oglavju "Priporočljive rešitve za težave".
- Originalno embalažo in penasti material shranite za prihodnji prevoz ali premikanje.

## 5 Uporaba hladilnika



### Gumb za nastavitev temperature

Gumb za nastavitev termostata Notranja temperatura hladilnika se spremeni iz naslednjih razlogov:

- Sezonske temperature.
- Pogosto odpiranje vrat in puščanj vrat odprtih za dlje časa.
- Postavljanje živil v hladilnik, p eden se ohladijo na sobno temperaturo.
- Položaj hladilnika v prostoru (npr. izpostavljenost sončni svetlobi).
- Notranjo temperaturo, ki se spreminja zaradi teh razlogov, lahko nastavite s termostatom. Številke okrog termostata označujejo hladilne stopinje.
- Če je temperatura prostora višja od 32°C, zavrtite gumb termostata na najvišji položaj.
- Če je temperatura prostora nižja od 25°C, zavrtite gumb termostata na najnižji položaj.

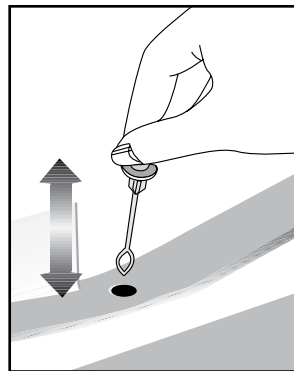
### Odtajanje

#### A) Predel hladilni

Hladilni del ima popolnoma samodejno odtajanje.

Ko se hladilnik ohlaja, se na zadnji notranji steni hladilnika lahko pojavijo vodne kapljice ali plast ledu do 7-8 mm. To je običajno in je rezultat hladilnega sistema. Zahvaljujoč samodejnemu sistemu odtajanja na zadnji steni, se nastali led odtaja s samodejnim odtajanjem v določenih intervalih. Uporabniku ni potrebno odstranjevati ledu ali vodnih kapljic. Voda, ki nastane pri odtajanju teče iz zbirnega kanala vode preko odtočne cevi v izparilnik, kjer izhlapi.

Redno preverjajte, če je odtočna cev zamašena, in jo po potrebi očistite z vbodom v odprtino.



## B) Zamrzovalni predel

Predel za globoko zamrzovanje ne izvaja samodejnega odtajanja, saj bi se zamrznjena živila pokvarila.

Zaradi posebne zbiralne kotanje, je odtajanje zelo enostavno in čisto.

Napravo odtajajte dvakrat na leto ali ko se naredi plast ledu debeline 7 mm (1/4"). Preden začnete odtajati, izklopite napravo iz vtičnice in izvlecite vtič za napajanje.

Vsa živila zavijte v več plasti časopisnega papirja in shranite v hladni prostor (npr. hladilnik ali jedilna shramba).

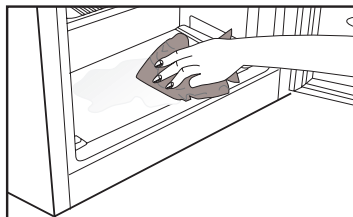
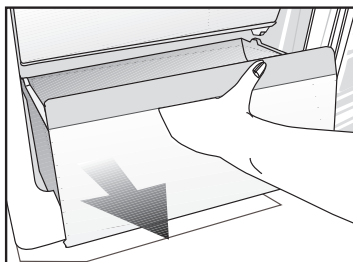
Odtajanje lahko pospešite s posodami s toplo vodo, ki jih previdno postavite v zamrzovalnik.

Za odstranjevanje ledu ne uporabljajte ostrih predmetov, kot so nož ali vilice.

Za odtajanje ne uporabljajte sušilnikov za lase, električnih grelcev ali drugi električnih naprav.

Obrišite odtajano vodo, ki se je nabrala na spodnjem delu zamrzovalnega predela. Po odtajanju, notranjost temeljito posušite.

Vstavite vtič v vtičnico in vklopite električno napajanje.



## 6 Vzdrževanje in čiščenje

- ⚠ Pri čiščenju nikoli ne uporabljajte bencina, benzena ali podobnih snovi.
- ⚠ Priporočamo, da napravo pred čiščenjem izključite iz električnega omrežja.
- ℹ Za čiščenje ne uporabljajte ostrih abrazivnih predmetov, mila, gospodinjskih čistil, čistilnih sredstev in loščila.
- ℹ Omarico hladilnika očistite z mlačno vodo in jo do suhega obrišite.
- ℹ Za čiščenje notranjosti uporabite izžeto krpo, ki ste jo namočili v raztopino ene čajne žličke sode bikarbonata in 500 ml vode ter nato do suhega obrišite.
- ⚠ Preprečite, da bi ohišje luči in ostali električni predmeti prišli v stik z vodo.
- ⚠ Če hladilnika dalj časa ne boste uporabljali, izključite električni kabel, odstranite vsa živila, ga očistite in pustite vrata priprta.
- ℹ Preverite, da so tesnila na vratih čista in ne vsebujejo delcev živil.
- ℹ Če želite odstraniti vratne police, jih izpraznite in jih enostavno potisnite navzgor od podlage.
- ℹ Za čiščenje zunanjih površin in kromiranih delov izdelka ne uporabljajte čistilnih sredstev ali klorirane vode. Klor povzroči korozijo na kovinskih površinah.

### Zaščita plastičnih površin

- ℹ Tekočega olja ali na olju kuhanih jedi ne shranjujte v hladilniku v odprtih posodah, saj lahko poškodujejo plastične površine hladilnika. Če na plastičnih površinah razlijete olje ali jih umažete z oljem, jih očistite in splaknite s toplo vodo.

## 7 Priporočljive rešitve za težave

Prosimo, preglejte ta seznam preden pokličete servisno službo. Lahko Vam prihrani čas in denar. Na seznamu so pogoste pritožbe, ki niso posledica pomanjkljive izdelave ali materiala. Nekatere izmed opisanih značilnosti, morda ne veljajo za vašo napravo.

Hladilnik ne deluje.
<ul style="list-style-type: none"><li>• Ali je hladilnik pravilno priključen? Priključite vtič v vtičnico na steni.</li><li>• Ali je glavna varovalka ali pa varovalka vtičnice v katero je priključen hladilnik pregorela? Preverite varovalko.</li></ul>
Kondenzacija na stranski steni hladilnega dela. (MULTI ZONE, COOL CONTROL in FLEXI ZONE).
<ul style="list-style-type: none"><li>• Zelo hladne prostorske razmere. Pogosto odpiranje in zapiranje vrat. Visoka vlažnost v prostoru. Shranjevanje živil, ki vsebujejo tekočino, v odprtih posodah. Vrata so bila priprta.</li><li>• Termostat preklopite na hladnejšo stopnjo.</li><li>• Vrata naj bodo odprta manj časa ali pa jih ne uporabljajte tako pogosto.</li><li>• Živila, ki so shranjena v odprtih posodah, pokrijte z ustrezno ovojnino.</li><li>• Kondenzacijo obrišite s suho krpo in preverite, če se ponovi.</li></ul>
Kompresor ne deluje.
<ul style="list-style-type: none"><li>• Termična zaščita kompresorja bo med nenadnimi izpadi električnega toka ali pri izključevanju-vključevanju pregorela, saj pritisk hladilnega sredstva v hladilnem sistemu še ni uravnotežen.</li><li>• Po približno 6 minutah se bo hladilnik zagnal. Če se hladilnik po tem času ne zažene, pokličite servisno službo.</li><li>• Hladilnik se odtaja. Za hladilnik s popolnoma samodejnim odtajanjem je to običajno. Odtajanje poteka v rednih presledkih.</li><li>• Hladilnik ni vključen v vtičnico. Prepričajte se, da je vtič dobro priključen v vtičnico.</li><li>• Ali so temperature pravilno nastavljene? Izpad električnega toka. Pokličite vašega dobavitelja električne energije.</li></ul>

Delovanje hladilnika je pogosto ali traja dalj časa.
<ul style="list-style-type: none"> <li>• Nov hladilnik je širši od prejšnjega. To je običajno. Veliki hladilniki delujejo dalj časa.</li> <li>• Temperatura prostora je lahko visoka. To je normalno.</li> <li>• Hladilnik je bil pred kratkim priključen ali pa je bil prenapolnjen z živili. Popolno ohlajanje hladilnika lahko traja nekaj ur dlje.</li> <li>• V hladilnik so bile nedavno postavljene večje količine toplih živil. Topla živila povzročijo daljše delovanje hladilnika, da dosežejo varno temperaturo za shranjevanje.</li> <li>• Vrata so se pogosto odpirala ali bila dalj časa priprta. Topel zrak, ki je prišel v hladilnik, povzroča daljše delovanje hladilnika. Vrata odpirajte manj pogosto.</li> <li>• Vrata zamrzovalnega ali hladilnega dela so bila priprta. Preverite, če so vrata dobro zaprta.</li> <li>• Hladilnik je nastavljen na zelo nizko temperaturo. Temperaturo hladilnika nastavite na toplejšo stopnjo in počakajte, da jo doseže.</li> <li>• Tesnilo na vratih hladilnika ali zamrzovalnika je umazano, izrabljeno, zlomljeno ali nepravilno nameščeno. Tesnilo očistite ali zamenjajte. Poškodovano/ zlomljeno tesnilo povzroča, da hladilnik deluje dalj časa za vzdrževanje trenutne temperature.</li> </ul>
Temperatura zamrzovalnika je zelo nizka, medtem ko je temperatura hladilnika ustrezna.
<ul style="list-style-type: none"> <li>• Temperatura zamrzovalnika je nastavljen na zelo nizko stopnjo. Temperaturo zamrzovalnika nastavite na toplejšo stopnjo in preverite.</li> </ul>
Temperatura hladilnika je zelo nizka, medtem ko je temperatura zamrzovalnika ustrezna.
<ul style="list-style-type: none"> <li>• Temperatura hladilnika je nastavljen na zelo nizko stopnjo. Temperaturo hladilnika nastavite na toplejšo stopnjo in preverite.</li> </ul>
Živila shranjena v predalih hladilnega dela zamrzujejo.
<ul style="list-style-type: none"> <li>• Temperatura hladilnika je nastavljen na zelo nizko stopnjo. Temperaturo hladilnika nastavite na toplejšo stopnjo in preverite.</li> </ul>
Temperature v hladilniku ali zamrzovalniku so zelo visoke.
<ul style="list-style-type: none"> <li>• Temperatura hladilnika je nastavljen na zelo visoko stopnjo. Nastavitev hladilnika vpliva na temperaturo zamrzovalnika. Spremenite temperaturo hladilnika ali zamrzovalnika, da dosežete ustrezno temperaturo.</li> <li>• Vrata so priprta. Dobro zaprite vrata.</li> <li>• V hladilnik so bile nedavno postavljene večje količine toplih živil. Počakajte, da hladilnik ali zamrzovalnik doseže zeleno temperaturo.</li> <li>• Hladilnik je bil pred kratkim priključen. Zaradi velikosti hladilnik potrebuje čas, da se popolnoma ohladi.</li> </ul>
Hladilnik oddaja zvok, ki je podoben zvoku analogne ure.
<ul style="list-style-type: none"> <li>• Ta zvok oddaja elektromagnetni ventil hladilnika. Elektromagnetni ventil zagotavlja prehajanje hladilnega sredstva, ki ga lahko nastavimo na hladilne ali zamrzovalne temperature oz. hladilne funkcije. To je normalno in ni okvara.</li> </ul>



Med delovanjem hladilnika se hrup poveča.
<ul style="list-style-type: none"> <li>• Značilnosti učinkovitosti delovanja hladilnika se lahko spremenijo glede na spremembe temperature prostora. To je običajno in ni napaka.</li> </ul>
Tresljaji ali hrup.
<ul style="list-style-type: none"> <li>• Neravna ali slabotna tla. Hladilnik se med počasnim premikanjem trese. Prepričajte se, da so tla ravna, močna in primerna podpora za hladilnik.</li> <li>• Hrup lahko povzročajo predmeti, ki so postavljeni na hladilniku. Takšne predmete odstranite z vrha hladilnika.</li> </ul>
Hrup podoben prelivanju tekočine ali pršenju.
<ul style="list-style-type: none"> <li>• Način delovanja hladilnika povzroča pretok tekočine in plinov. To je običajno in ni napaka.</li> </ul>
Hrup podoben pihanju vetra.
<ul style="list-style-type: none"> <li>• Zračni aktivatorji (ventilatorji) pripomorejo k učinkovitemu hlajenju hladilnika. To je običajno in ni napaka.</li> </ul>
Kondenzacija na notranjih stenah hladilnika.
<ul style="list-style-type: none"> <li>• Vroče in vlažno vreme poveča zaledenitev in kondenzacijo. To je običajno in ni napaka.</li> <li>• Vrata so priprta. Prepričajte se, da so vrata popolnoma zaprta.</li> <li>• Vrata so se pogosto odpirala ali bila dalj časa priprta. Vrata odpirajte manj pogosto.</li> </ul>
Na zunanji strani hladilnika ali med vrati se pojavi vlaga.
<ul style="list-style-type: none"> <li>• Vlažno vreme. Pri vlažnem vremenu je to običajno. Ko se vlaga zniža, bo kondenzacija izginila.</li> </ul>
Neprijeten vonj v hladilniku.
<ul style="list-style-type: none"> <li>• Notranjost hladilnika naj bo čista. Notranjost hladilnika očistite z gobo, toplo ali gazirano vodo.</li> <li>• Vonj povzročajo nekatere posode ali materiali pakiranja. Uporabite druge posode ali drugačno vrsto materialov pakiranja.</li> </ul>
Vrata se ne zapirajo.
<ul style="list-style-type: none"> <li>• Ovojnine živil preprečujejo zapiranje vrat. Prestavite pakiranja, ki ovirajo vrata.</li> <li>• Hladilnik ni popolnoma pokončno postavljen na tla in se zatrese ob rahlem premiku. Prilagodite vijake za nastavitev.</li> <li>• Neravna ali šibka tla. Prepričajte se, da so tla ravna in primerna podpora za hladilnik.</li> </ul>
Predali so obtičali.
<ul style="list-style-type: none"> <li>• Živila se dotikajo stropa predala. Ponovno razporedite živila v predalu.</li> </ul>

## Lūdzu, vispirms izlasiet šo rokasgrāmatu!

Cienījamais pircēj!

Ceram, ka jūsu produkts, kas ražots modernās rūpnīcās un pārbaudīts ļoti pedantiskas kvalitātes kontroles procedūras laikā, nodrošinās efektīvu darbību.

Tādēļ mēs vēlētos ieteikt pirms produkta izmantošanas rūpīgi izlasīt visu rokasgrāmatu un turēt to ērti pieejamā vietā, lai vienmēr varētu tajā ieskatīties.

### Šī rokasgrāmata

- Palīdzēs ātri un droši lietot iekārtu.
- Izlasiet šo rokasgrāmatu pirms produkta uzstādīšanas un izmantošanas.
- Ievērojiet norādījumus, it īpaši tos, kas saistīti ar drošību.
- Turiet šo rokasgrāmatu viegli pieejamā vietā, jo jums tā var būt nepieciešama vēlāk.
- Izlasiet arī citus kopā ar produktu saņemtos dokumentus.

Lūdzu, atcerieties, ka šī rokasgrāmata var attiekties arī uz citiem modeļiem.

### Simboli un to apraksti

Šajā rokasgrāmatā redzami šādi simboli:

- ❗ Svarīga informācija vai noderīgi padomi par izmantošanu.
- ⚠ Brīdinājums par dzīvībai un īpašumam bīstamiem apstākļiem.
- ⚡ Brīdinājums par elektrisko spriegumu.



### **UZMANĪBU!**

Lai garantētu jūsu sasaldēšanas iekārtas (kura izmanto viedei nekaitīgu dzesēšanas vielu R600a – uzliesmojošs tikai pie noteiktiem apstākļiem), ir nepieciešams ievērot sekojošo:

- Netrauciet gaisa cirkulācijai ap iekārtu.
- Neizmantojiet nekādas mehāniskās iekārtas atkausēšanas paātrināšanai.
- Nesabojājiet dzesēšanas ķēdi.
- Nodalījumā pārtikas produktu glabāšanai neizmantojiet nekādas mehāniskās iekārtas, ja ražotājs to neiesaka.

#### **Pārstrādi**



Šis produkts ir marķēts ar elektronisko un elektrisko iekārtu atkritumu (EEAI) selektīvās šķirošanas simbolu.

Tas nozīmē, ka ar produktu jārikojas atbilstoši Eiropas direktīvai 2002/96/EK, lai iekārta tiktu atkārtoti pārstrādāta un izjaukta pēc iespējas samazinot tās negatīvo ietekmi uz apkārtējo vidi. Lai saņemtu sīkāku informāciju, lūdzu, sazinieties ar vietējām vai reģionālajām varas iestādēm.

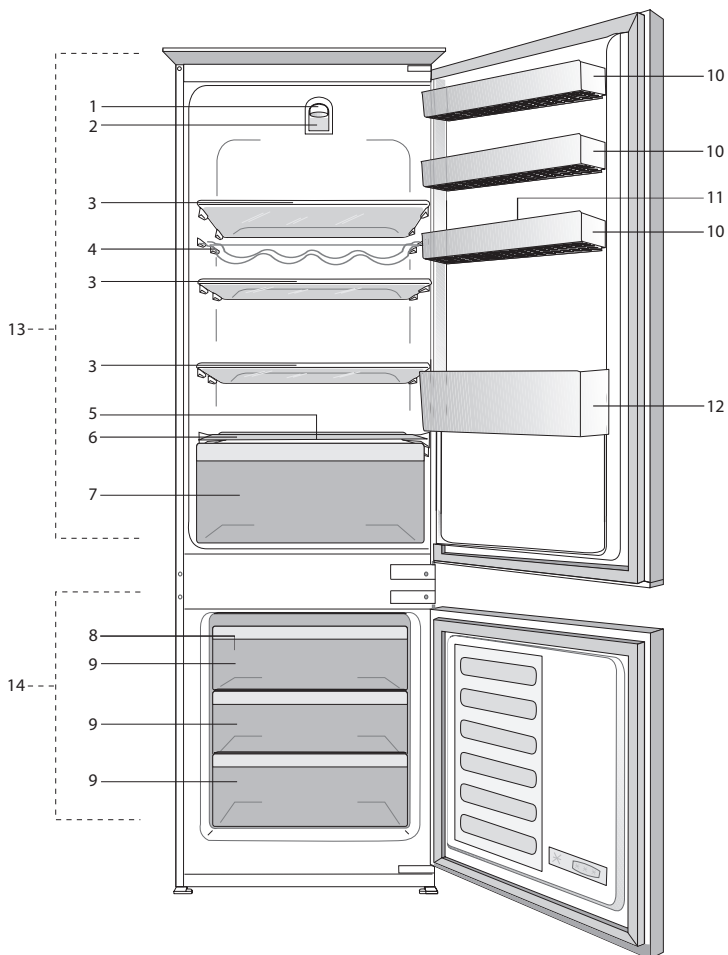
Elektronikas produkti, kas nav iekļauti selektīvajā šķirošanas procesā, ir potenciāli bīstami viedei un cilvēku veselībai, jo satur bīstamas vielas.

## SATURS

---

<b>1 Jūsu ledusskapis</b>	<b>3</b>	<b>4 Sagatavošana</b>	<b>10</b>
<b>2 Svarīgi brīdinājumi par drošību</b>	<b>4</b>	<b>5 Ledusskapja izmantošana</b>	<b>11</b>
Paredzētā lietošana .....	4	Vadības panelis .....	11
Vispārējā drošība.....	4	Atlaidināšana .....	11
Piezīme par iekārtām ar ūdens automātu;.....	6	<b>6 Apkope un tīrīšana</b>	<b>13</b>
Bērnu drošība.....	6	Plastmasas virsmu aizsargāšana .....	13
Brīdinājums par HCA .....	6	<b>7 Ieteicamie problēmu risinājumi</b>	<b>14</b>
Kas darāms, lai ietaupītu enerģiju .....	6		
<b>3 Uzstādīšana</b>	<b>7</b>		
Lietas, kas jāapsver, atkārtoti pārvietojot ledusskapi .....	7		
Pirms ledusskapja izmantošanas .....	7		
Pievienošana elektrotīklam.....	7		
Atbrīvošanās no iepakojuma .....	8		
Atbrīvošanās no vecā ledusskapja .....	8		
Novietošana un uzstādīšana .....	8		
Apgaismojuma lampas nomaiņa.....	8		
Durvju ievietošana otrādi.....	9		

# 1 Jūsu ledusskapis



- |  |                                 |
|--|---------------------------------|
| 1. Termostata pārslēgs   | 8. Ledus paplāte                |
| 2. Lampas korpuss  | 9. Saldētās pārtikas nodalījums |
| 3. Pārvietojami plaukti  | 10. Regulējami durvju plaukti   |
| 4. Vīna pudelju balsts   | 11. Olu nodalījums              |
| 5. Atlaidinātā ledus ūdens savākšanas kanāls - noliekšanas caurule | 12. Pudeļ u plaukts             |
| 6. Atvilktnu vāciņi  | 13. Ledusskapja nodalījums      |
| 7. Augļu nodalījums  | 14. Saldēšanas kamera           |

**i** Attēli šajā instrukciju rokasgrāmatā ir shematiski un var precīzi neatbilst jūsu iekārtai. Ja attiecīgās daļas nav iekļautas jūsu iegādātās iekārtas komplektācijā, tad tās attiecas uz citiem modeļiem.

## 2 Svarīgi brīdinājumi par drošību

Lūdzu, iepazīstieties ar šo informāciju. Šīs informācijas neievērošana var kļūt par cēloni traumām vai materiālajiem bojājumiem. Tā rezultātā visas garantijas un saistības par iekārtas drošību zaudēs spēku.

Originālās rezerves daļas tiks nodrošinātas 10 gadus, sākot ar produkta iegādes datumu.

### Paredzētā lietošana

Šī iekārta ir paredzēta lietošanai:

- iekštelpās un norobežotās vietās, piemēram, mājās;
  - slēgtā darba vidē, piemēram, veikalos un birojos;
  - norobežotās apmešanās vietās, piemēram, fermās, viesnīcās un pansijās.
- Šo iekārtu nevajadzētu izmantot ārpus telpām.

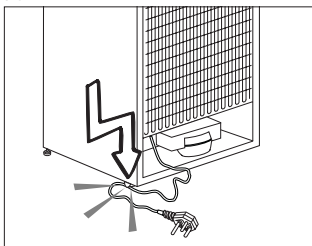
### Vispārējā drošība

- Ja vēlaties atbrīvoties no šī izstrādājuma vai to pārstrādāt, mēs iesakām konsultēties ar pilnvarotu apkalpošanas centru, lai uzzinātu nepieciešamo informāciju un atrastu pilnvarotas organizācijas.
- Sazinieties ar pilnvarotu apkalpošanas centru saistībā ar visiem jautājumiem un problēmām attiecībā uz ledusskapi. Neveiciet ledusskapja remontu vai modifikāciju un neļaujiet to darīt citiem, neinformējot pilnvarotus pakalpojuma sniedzējus.
- Piezīme par iekārtām ar saldēšanas kameru: neēdiet saldējumu un ledus gabaliņus tūlīt pēc izņemšanas no saldēšanas kameras! (Tas var izraisīt mutes apsaldēšanu.)
- Piezīme par iekārtām ar saldēšanas kameru: neievietojiet šķidrus, pudelēs vai skārdenēs esošus dzērienus saldēšanas kamerā. Tie var saplīst.

- Nepieskarieties sasaldētām ēdienam ar rokām, jo tas var pie tām pielipt.
- Pirms atļaidināšanas vai tīrīšanas atvienojiet ledusskapi no barošanas avota.
- Ledusskapja tīrīšanas un atļaidināšanas laikā nevajadzētu izmantot tvaiku un izgarojošus tīrīšanas līdzekļus. Šādos gadījumos garaiņi var piekļūt elektriskajām daļām un radīt īssavienojumu vai elektriskās strāvas triecienu.
- Nekad neizmantojiet ledusskapja daļas, piemēram, durvis, kā atbalstu vai pakāpienu.
- Neizmantojiet elektriskās iekārtas ledusskapja iekšpusē.
- Neurbiet un nezāģējiet daļas, kurās cirkulē dzesēšanas šķidrums. Dzesēšanas šķidrums, kas var izplūst, kad iztvaices aparāta gāzes kanāli, cauruļvadu pagarinājumi vai virsmas apvalki tiek pārplēsti, izraisa ādas iekaisumus un acu traumas.
- Ar nekādiem materiāliem neaizklājiet un nenobloķējiet ledusskapja ventilācijas atveres.
- Elektroiekārtu remontu drīkst veikt tikai pilnvarotas personas. Labošana, ko veikušas nekompetentas personas, rada risku lietotājam.
- Bojājuma vai apkopes un labošanas darbu laikā atvienojiet ledusskapja strāvas padevi, atvienojot attiecīgo drošinātāju vai iekārtas spraudkontakta.
- Atvienojot spraudkontakta, to nevelciet aiz vada.
- Stipros alkoholiskos dzērienus turiet cieši noslēgtus un vertikāli.
- Nekādā gadījumā neglabājiet ledusskapī aerosolus, kuru sastāvā ir viegli uzliesmojošas un sprādzienbīstamas vielas.

- Neizmantojiet mehāniskas ierīces vai citus līdzekļus, lai paātrinātu atlaidināšanas procesu, ja vien tos nav ieteicis ražotājs.
- Šī iekārta nav paredzēta, lai to izmantotu personas ar fiziskajiem, garīgajiem un uztveres traucējumiem vai cilvēki bez pieredzes un zināšanām (tostarp bērni), ja vien viņus neuzrauga persona, kas ir atbildīga par viņu drošību vai sniedz norādījumus par iekārtas izmantošanu.
- Neizmantojiet bojātu ledusskapi. Ja jums rodas kaut kādas bažas, sazinieties ar apkalpošanas pārstāvi.
- Ledusskapja elektrodrošība var tikt garantēta tikai tad, ja iezemējuma sistēma jūsu mājā atbilst standartiem.

- Iekārtas pakļaušana lietus, sniega, saules un vēja iedarbībai apdraud elektrodrošību.
- Ja spēka kabelis ir bojāts, lai izvairītos no briesmām, sazinieties ar pilnvarotu apkalpošanas centru.
- Uzstādīšanas laikā nekādā gadījumā neievietojiet spraudkontakta sienas kontaktligzdā. Pretējā gadījumā var rasties nāves draudu vai nopietnas traumas risks.
- Šis ledusskapis ir paredzēts tikai pārtikas uzglabāšanai. To nevajadzētu izmantot nekādam citam mērķim.
- Uzīme ar izstrādājuma tehniskajiem datiem atrodas ledusskapja iekšpusē pa kreisi.
- Nekādā gadījumā nepievienojiet ledusskapi pie elektrības taupīšanas sistēmas, jo tas var sabojāt ledusskapi.
- Ja ledusskapim ir zils gaismas indikators, neskatieties uz to caur optiskām ierīcēm.
- Ja ledusskapji ir manuāli vadāmi, tad pirms to pārstartēšanas pēc elektropadeves traucējumiem ir jāpagaida vismaz 5 minūtes.
- Ja ledusskapis tiek atdots kādam citam, arī šī lietošanas rokasgrāmata ir jāatdod jaunajam īpašniekam.



- Nepievienojiet ledusskapi vaļīgai sienas kontaktligzdai.
- Drošības apsvērumu dēļ izvairieties no ledusskapja iekšējo un ārējo daļu apšļakstīšanas ar ūdeni.
- Lai izvairītos no ugunsgrēka un sprādziena riska, ledusskapja tuvumā neizsmidziniet vielas, kuru sastāvā ir viegli uzliesmojušas gāzes, piemēram, propāna gāze.
- Nekādā gadījumā nelieciet uz ledusskapja virsmas traukus ar ūdeni, jo tas var izraisīt elektriskās strāvas triecienu vai ugunsgrēku.
- Nepārslogojiet ledusskapi ar pārāk lielu pārtikas daudzumu. Ja ledusskapis ir pārāk pilns, tad, atverot durvis, pārtika var izkrist no ledusskapja, radot kaitējumu jums vai iekārtai. Nekādā gadījumā nelieciet priekšmetus uz ledusskapja virsmas, jo ledusskapja durvju atvēršanas vai aizvēršanas laikā tie var nokrist.
- Ledusskapī nedrīkst turēt vakcīnas, temperatūras jutīgus medikamentus un zinātniskiem pētījumiem paredzētus materiālus, jo tiem ir nepieciešama noteikta uzglabāšanas temperatūra.
- Ja ledusskapis netiks ilgstoši izmantots, tas jāatvieno no barošanas avota. Spēka kabeļa bojājuma gadījumā var sākties ugunsgrēks.

- Spraudkontakta dakšas ir regulāri jātīra, jo pretējā gadījumā var sākties ugunsgrēks.
- Spraudņa gals ir regulāri jātīra ar sausu drāniņu. Ja to nedarīsiet, tas var kļūt par ugunsgrēka cēloni.
- Ja regulējamās kājiņas nav pareizi nostiprinātas uz grīdas, tad ledusskapis var kustēties. Regulējamo kājiņu pareiza nostiprināšana uz grīdas var novērst ledusskapja kustēšanos.
- Nesot ledusskapi, neturiet to aiz durvju roktura. Pretējā gadījumā tas var nolūzt.
- Novietojot iekārtu līdzās citam ledusskapim vai saldētavai, starp šīm iekārtām ir jābūt vismaz 8 cm attālumam. Pretējā gadījumā uz līdzās esošajām sienām var kondensēties mitrums.

## Piezīme par iekārtām ar ūdens automātu

Ūdensvada minimālais spiediens drīkst būt 1 bārs. Ūdensvada maksimālais spiediens drīkst būt 8 bāri.

- Izmantojiet tikai dzeramo ūdeni.

## Bērnu drošība

- Ja durvis ir slēdzamas, tad atslēga jāglabā bērniem nepieejamā vietā.
- Jāuzrauga, lai bērni nespēlētos ar iekārtu.

## Brīdinājums par HCA Ja iekārtas dzesēšanas sistēma satur R600a

Šī gāze ir viegli uzliesmojoša. Tādēļ pievērsiet uzmanību tam, lai izmantošanas un transportēšanas laikā dzesēšanas sistēma un cauruļvadi netiktu bojāti. Bojājuma gadījumā neturiet iekārtu potenciālu uguns avotu tuvumā, jo tas var izraisīt iekārtas aizdegšanos, un vēdiniet telpu, kurā novietota iekārta.

## Neņemiet vērā šo brīdinājumu, ja iekārtai ir dzesēšanas sistēma, kas satur R134a.

Iekārtā izmantotais gāzes tips ir norādīts uz specifikācijas plāksnītes ledusskapja iekšpuses kreisajā pusē. Nekādā gadījumā neatbrīvojieties no iekārtas, to sadedzinot.

## Kas darāms, lai ietaupītu enerģiju

- Neturiet ledusskapja durvis ilgstoši atvērtas.
- Neievietojiet ledusskapī karstu pārtiku vai dzērienus.
- Nepārpildiet ledusskapi, lai netiktu traucēta gaisa cirkulācija tā iekšpusē.
- Nenovietojiet ledusskapi tiešā saules gaismā vai karstumu izstarojošu iekārtu, piemēram, krāsns, trauku mazgājamās iekārtas vai radiatoru, tuvumā.
- Pievērsiet uzmanību tam, lai pārtika atrastos aizvērtos traukos.
- Piezīme par iekārtām ar saldēšanas kameru. Saldēšanas kamerā varat saglabāt maksimālo ēdiena daudzumu, izņemot no tās plauktu vai atvilktni. Norādītā saldēšanas kameras enerģijas patēriņa vērtība ir noteikta iekārtai ar izņemtu plauktu vai atvilktni un maksimālo noslodzi. Nepastāv nekāds risks, izmantojot plauktu vai atvilktni atbilstoši sasaldējamās pārtikas formai un izmēram.
- Sasaldētās pārtikas atļaidināšana ledusskapja nodalījumā gan ietaupīs elektroenerģiju, gan saglabās pārtikas kvalitāti.

### 3 Uzstādīšana

⚠ Lūdzu ņemiet vērā, ka ražotājs neuzņemas atbildību, ja instrukciju rokasgrāmatā iekļautā informācija netiek ievērota.

#### Lietas, kas jāapsver, atkārtoti pārvietojot ledusskapi

1. Jūsu ledusskapim pirms jebkuras transportēšanas ir jābūt iztukšotam un iztīrītam.
2. Ledusskapja plauktiem, piederumiem, atvilktnēm utt. pirms atkārtotas iepakšanas ir jābūt cieši nostiprinātiem ar līmlenti, lai tos nodrošinātu pret jebkādiem triecieniem.
3. Iepakojumam ir jābūt cieši nostiprinātam ar virvēm un līmlentēm, un jāievēro uz iepakojuma norādītie transportēšanas noteikumi.

#### Lūdzu, neaizmirstiet...

Ikviens pārstrādātais materiāls ir svarīgs avots dabai un mūsu nacionālajiem resursiem. Ja jūs vēlaties nodot iepakojuma materiālu otrreizējai pārstrādei, papildu informāciju varat iegūt no vides aizsardzības organizācijām vai vietējās varas pārstāvjiem.

#### Pirms ledusskapja izmantošanas

Pirms ledusskapja ieslēgšanas pārbaudiet šādas lietas.

1. Vai ledusskapja iekšpuse ir tīra un gaiss tā aizmugurē var brīvi cirkulēt?
2. Iztīriet ledusskapja iekšpusi, kā ieteikts sadaļā "Apkope un tīrīšana".

3. Pievienojiet ledusskapi sienas kontaktligzdai. Kad ledusskapja durvis tiks atvērtas, tad iedegsies ledusskapja nodalījuma iekšējais apgaismojums.
4. Būs dzirdams troksnis, jo kompresors sāks darbību. Troksni var radīt arī šķidrums un gāzes, kas atrodas dzesēšanas sistēmā, pat tad, ja kompresors nedarbojas, un tas ir normāli.
5. Ledusskapja priekšējās malas var būt siltas. Tas ir normāli. Šīm vietām ir jābūt siltām, lai izvairītos no kondensācijas.

#### Pievienošana elektrotīklam

Pievienojiet iekārtu iezemētai kontaktligzdai, kas aizsargāta ar atbilstošas jaudas drošinātāju. Svarīgi!

- Savienojumam jāatbilst nacionālajiem noteikumiem.
- Pēc uzstādīšanas spēka kabeļa spraudkontaktam jābūt viegli pieejamam.
- Norādītajam spriegumam jāatbilst jūsu elektrotīkla spriegumam.
- Savienošanai nedrīkst tikt izmantoti pagarinātāji vai sadalītāji.

⚠ Bojātu elektrisko kabeli jānomaina kvalificētam elektriķim.

⚠ Iekārtu nedrīkst izmantot, kamēr tā nav salabota! Pastāv elektriskās strāvas trieciena risks!



## Atbrīvošanās no iepakojuma

Iepakojuma materiāli var būt bīstami bērniem. Glabājiet iepakojuma materiālus bērniem nepieejamā vietā vai atbrīvojieties no tiem atbilstoši noteikumiem par atkritumu apglabāšanu un pārstrādi. Tos nedrīkst izmest kopā ar parastiem sadzīves atkritumiem. Ledusskapja iepakojums ir izgatavots no otrreizēji pārstrādājamiem materiāliem.

## Atbrīvošanās no vecā ledusskapja

Atbrīvojieties no vecās iekārtas tā, lai netiktu nodarīts kaitējums videi.

- Par atbrīvošanos no ledusskapja varat konsultēties ar pilnvarotu izplatītāju vai vietējās pašvaldības atkritumu savākšanas centru.

Pirms atbrīvošanās no ledusskapja, nogrieziet spraudkontakta un, ja uz durvīm ir slēdzenes, padariet tās neizmantojamas, lai pasargātu bērnus no jebkādām briesmām.

## Novietošana un uzstādīšana

△ Ja ledusskapja uzstādīšanas telpā durvis ir par šauru, lai ledusskapi pa tām ievietotu, sazinieties ar pilnvarotu pakalpojuma sniedzēju, lai izņemtu ledusskapja durvis un ievietotu ledusskapi pa durvīm sāniski.

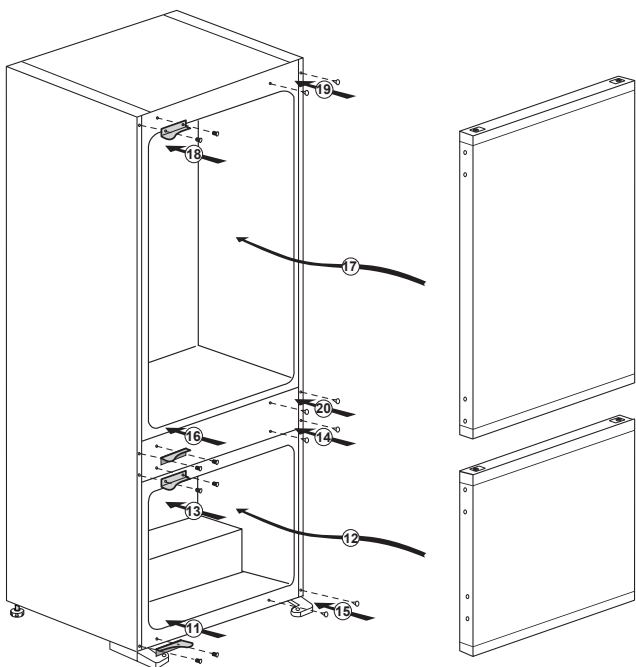
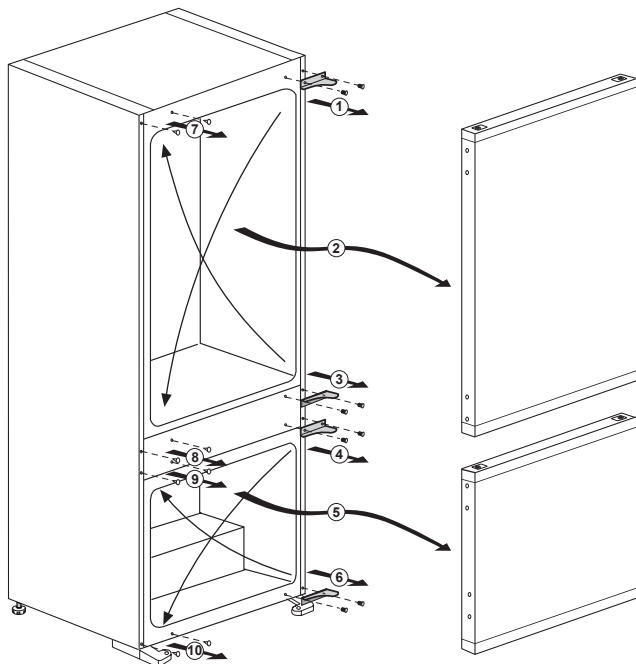
1. Uzstādiet ledusskapi vietā, kurā to iespējams viegli izmantot.
2. Neturiet ledusskapi karstuma avota tuvumā, mitrās vietās un tiešā saules gaismā.
3. Lai nodrošinātu efektīvu darbību, apkārt ledusskapim ir jābūt pietiekamai ventilācijai. Ja ledusskapis ir jāievieto sienas nišā, jābūt vismaz 5 cm attālumam no griestiem un 5 cm attālumam no sienas. Ja grīda ir klāta ar paklāju, iekārtai jāatrodas vismaz 2,5 cm virs grīdas.
4. Novietojiet ledusskapi uz līdzenas grīdas virsmas, lai izvairītos no vibrācijas.
5. Neturiet ledusskapi vietās, kur ārējās vides temperatūra ir zemāka par 10°C.

## Apaismojuma lampas nomaiņa

Lai nomainītu ledusskapja apgaismojuma lampu, lūdzu, sazinieties ar pilnvarotu pakalpojuma sniedzēju. Prietaise naudojamos lempu tēti nēra skirtos kambarij apšvietimui namj saļygomis. Šios lempu tēti yra skirtos pagelbēti naudotojui saugiai ir patogiai sudēti maisto produktus j šaldytuvā ar šaldiklī. Šiame prietaise naudojamos lempos turi atlaikyti ekstremalias saļygas, pavyzdžiui, žemesnē nei -20°C temperatūrā.

## Durvju ievietošana otrādi

Rīkojieties ar cipariem norādītajā secībā.

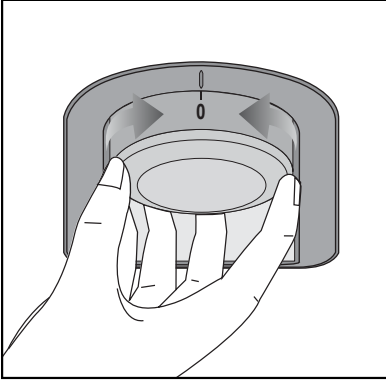


## 4 Sagatavošana

---

- Ledusskapis ir uzstādāms vismaz 30 cm attālumā no karstuma avotiem, piemēram, radiatoriem, sildītājiem, centrālāpkures un krāsnīm, un vismaz 5 cm attālumā no elektriskajām krāsnīm, un to nedrīkst novietot tiešā saules gaismā.
- Ledusskapja uzstādīšanas istabas temperatūrai ir jābūt vismaz 10°C. Ledusskapja darbināšana vēsākos apstākļos nav ieteicama saistībā ar tā efektivitāti.
- Lūdzu, pārliecinieties, ka ledusskapja iekšpuse ir rūpīgi iztīrīta.
- Ja ir jāuzstāda divi blakus esoši ledusskapji, starp tiem jānodrošina vismaz 2 cm atstarpe.
- Kad ledusskapis tiek iedarbināts pirmo reizi, lūdzu, ievērojiet šīs instrukcijas pirmo sešu darbības stundu laikā.
  - Durvis nevajadzētu atvērt pārāk bieži.
  - Darbināšanu vajadzētu veikt bez ievietotas pārtikas.
  - Neatvienojiet ledusskapi no strāvas avota. Elektroapgādes traucējumu gadījumā, lūdzu, skatiet brīdinājumus nodaļā “Ieteicamie problēmu risinājumi”.
- Oriģinālo iepakojumu un putuplastu vajadzētu saglabāt transportēšanai vai pārvietošanai nākotnē.

## 5 Ledusskapja izmantošana



### Termostata iestatišanas poga

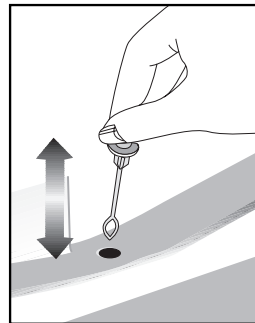
Jūsu ledusskapja iekšējā temperatūra mainās šādu iemeslu dēļ:

- sezonālās temperatūras izmaiņas;
- bieža ledusskapja durvju atvēršana un ilgstoša atvērtu durvju atstāšana;
- pārtikas ievietošana ledusskapī bez atdzesēšanas līdz istabas temperatūrai;
- ledusskapja atrašanās vieta telpā (piem, tiešā saules gaismā);
- Šo iemeslu dēļ varat ar termostata palīdzību iestatīt dažādas iekšējās temperatūras. Skaitļi, kas atrodas apkārt termostata pogai, norāda atdzesēšanas pakāpi.
- Ja ārējās vides temperatūra ir augstāka par 32°C, tad novietojiet termostata pogu maksimālās saldēšanas stāvoklī.
- Ja ārējās vides temperatūra ir zemāka par 25°C, tad novietojiet termostata pogu minimālās saldēšanas stāvoklī.

### Atlaidināšana

#### A) Ledusskapja nodalījums

Ledusskapja nodalījumā tiek izpildīta pilnīgi automātiska atlaidināšana. Ledusskapja atdzišanas laikā uz ledusskapja nodalījuma iekšējās aizmugurējās sienas var rasties ūdens lāsītes un 7-8 mm bieža sarmas kārta. Tas ir normāls dzesēšanas sistēmas darbības rezultāts. Pateicoties automātiskajai atlaidināšanas sistēmai, kas atrodas uz aizmugurējās sienas, ik pēc zināma laika intervāla šī sarmas kārta tiek atlaidināta ar automātiskās atlaidināšanas funkcijas palīdzību. Lietotājam nav nepieciešams noskrāpēt sarmu un noslaucīt ūdens lāsītes. Ūdens, kas radies atlaidināšanas rezultātā, no ūdens savākšanas renes pa noliešanas cauruli ieplūst iztvaikotājā un iztvaiko. Regulāri pārbaudiet, vai noliešanas caurule nav aizsprostota, un, kad nepieciešams, ar stienīti iztīriet tās caurumu.



## B) Saldēšanas kamera

Lai izvairītos no saldētās pārtikas sabojāšanās, dziļās saldēšanas kamerā automātiskā atlaidināšana nenotiek.

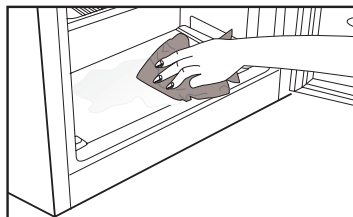
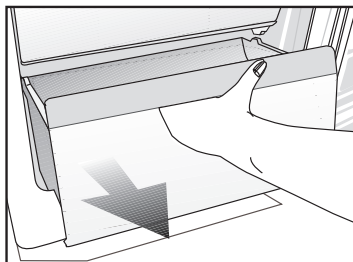
Pateicoties īpašajai atlaidinātā ledus ūdens tvertnei, atlaidināšana ir ļoti viegla un vienkārša.

Atlaidiniet divas reizes gadā vai tad, kad izveidojusies aptuveni 7 (1/4") mm bieža sarmas kārtā. Lai sāktu atlaidināšanu, izslēdziet iekārtas strāvas l igzdas slēdzi un atvienojiet no tās spraudkontakta. Visai pārtikai jātiek ielītai vairākās laikrakstu kārtās un uzglabātai vēsā vietā (piem., ledusskapī vai pieliekamajā).

Lai paātrinātu atlaidināšanu, ledusskapī var tikt uzmanīgi ievietotas tvertnes ar siltu ūdeni. Sarmas noņemšanai neizmantojiet smailus vai asmalainus objektus, teiksim, nažus vai dakšiņas.

Nekādā gadījumā atlaidināšanai neizmantojiet fēnus, elektriskos sildītājus vai citas līdzīgas elektriskās ierīces. Izslaukiet ūdeni, kas atlaidināšanas rezultātā sakrājies saldēšanas kameras apakšā. Pēc atlaidināšanas rūpīgi izslaukiet iekšpusi.

Ievietojiet spraudkontakta sienas kontaktīzdā un ieslēdziet barošanas avotu.



## 6 Apkope un tīršana

- ⚠ Nēkad tīršanas nolūkiem neizmantojiet gazoliņu, benzīnu vai līdzīgas vielas.
- ⚠ Mēs iesakām iekārtu pirms tīršanas atvienot no strāvas avota.
- Nēkad neizmantojiet asus abrazīvus instrumentus, ziepes, mājsaimniecības tīršanas līdzekļus, mazgāšanas līdzekļus un pulējamo vasku, lai veiktu tīršanu.
- Izmantojiet remdenu ūdeni, lai iztīrītu ledusskapja korpusu, un noslaukiet to sausu.
- Izmantojiet mīkstu audumu, kas samitrināts šķīdumā, kas sastāv no vienas tējkarotes sodas un 0,57 l ūdens, lai iztīrītu iekšpusi, un tad noslaukiet to sausu.
- Pievērsiet uzmanību tam, lai ūdens neieklūtu lampas ietvarā un citās elektriskās iekārtās.
- Ja ledusskapis netiek izmantots ilgāku laiku, atvienojiet spēka kabeli, izņemiet visu pārtiku, iztīriet to un atstājiet durvis pusvīrus.
- Regulāri pārbaudiet durvju blīvējumu, lai pārliecinātos, ka tas ir tīrs un tajā nav sakrājušās pārtikas daļiņas.

- Lai izņemtu durvju plauktus, izņemiet visu saturu un tad paceliet plauktus no apakšpuses uz augšu.
- Iekārtas ārējo virsmu un hromēto daļu tīršanai nēkad neizmantojiet tīršanas līdzekļus vai ūdeni, kura sastāvā ir hlors. Hlors rada šādu metāla virsmu koroziju.

### Plastmasas virsmu aizsargāšana

- Nelieciet uz ledusskapja šķidras eļļas vai eļļā gatavotus ēdienus nenoslēgtos traukos, jo tie bojā ledusskapja plastmasas virsmas. Ja uz plastmasas virsmām izlīst vai izsmērējas eļļa, uzreiz notīriet un ar siltu ūdeni noskalojiet attiecīgo vietu.

## 7 Ieteicamie problēmu risinājumi

Lūdzu, pārskatiet šo sarakstu pirms sazināšanās ar apkopes centru. Tas var ietaupīt jūsu laiku un naudu. Šajā sarakstā ietvertas bieži sastopamas problēmas, kas nav saistītas ar defektīvu ražojumu vai defektīva materiāla izmantošanu. Jūsu izstrādājumam var nebūt visas šeit aprakstītās funkcijas.

### Ledusskapis nedarbojas.

- Vai ledusskapis ir pareizi pievienots strāvas avotam? Ievietojiet spraudkontakta sienas kontaktligzdā.
- Vai nav izdedzis drošinātājs kontaktligzdai, kurai pievienots ledusskapis, vai arī izsists galvenais drošinātājs? Pārbaudiet drošinātāju.

### Kondensācija uz ledusskapja nodalījuma sānu sienas. (MULTI ZONE, COOL CONTROL un FLEXI ZONE).

- Ļoti zemā ārējā temperatūra. Bieža durvju atvēršana un aizvēršana. Ļoti liels mitrums apkārtējā telpā. Tiek atvērtos traukos uzglabāta pārtika, kas satur šķidrumu. Durvis atstātas pusvīrus.
- Termostata iestatīšana zemākai temperatūrai.
- Samaziniet laiku, kad durvis tiek turētas atvērtas, vai retāk izmantojiet ledusskapi.
- Pārtikas, kas tiek glabāta atvērtos traukos, pārklāšana ar piemērotu materiālu.
- Noslaukiet kondensātu ar sausu audumu un pārbaudiet, vai tas saglabājas.

### Kompresors nedarbojas.

- Kompresora termiskā aizsardzība atslēgsies pēkšņu elektroapgādes traucējumu gadījumā vai arī pieslēgšanas-atslēgšanas laikā, jo dzesēšanas šķidrums ledusskapja dzesēšanas sistēmā nebūs sabalansēts.
- Ledusskapis sāks darboties pēc aptuveni 6 minūtēm. Lūdzu, sazinieties ar apkopes centru, ja ledusskapis nesāk darboties pēc šī laika perioda paiešanas.
- Ledusskapis izpilda atkausēšanas ciklu. Tas ir normāli ledusskapim, kas veic pilnīgi automātisku atlaidināšanu. Atlaidināšanas cikls periodiski atkārtojas.
- Ledusskapis nav pievienots kontaktligzdai. Pārbaudiet, vai spraudkontakts ir cieši iesprausts sienas kontaktligzdā.
- Vai temperatūras noregulēšana ir veikta pareizi? Noticis strāvas padeves pārrāvums. Saasinieties ar savu elektroenerģijas piegādātāju.

Ledusskapis darbojas bieži vai ilgu laiku.
<ul style="list-style-type: none"> <li>• Iespējams jaunais ledusskapis ir platāks par iepriekšējo. Tas ir visai normāli. Lieli ledusskapji darbojas ilgāku laika periodu.</li> <li>• Apkārtējā istabas temperatūra var būt augsta. Tas ir visai normāli.</li> <li>• Iespējams ledusskapis ir nesen ieslēgts vai tajā nesen ievietota pārtika. Ledusskapja pilnīga atdzesēšana var notikt pāris stundas ilgāk.</li> <li>• Nesen ledusskapī ievietots liels daudzums karsta ēdiena. Karsts ēdiens izraisa ilgāku ledusskapja darbību, līdz tiek sasniegta droša uzglabāšanas temperatūra.</li> <li>• Iespējams durvis tiek bieži atvērtas vai ilgstoši atstātas pusvīrus. Siltais gaiss, kas iekļūst ledusskapī, liek tam darboties ilgāku laiku. Atveriet durvis retāk.</li> <li>• Iespējams ledusskapja nodalījuma durvis atstātas pusvīrus. Pārbaudiet, vai durvis ir cieši aizvērtas.</li> <li>• Ledusskapis ir noregulēts ļoti zemai temperatūrai. Iestatiet augstāku ledusskapja temperatūru un gaidiet, līdz šī temperatūra tiek sasniegta.</li> <li>• Ledusskapja vai saldēšanas kameras durvju blīvējums var būt netīrs, nodilis, ieplīsis vai nepareizi novietots. Notīriet vai nomainiet blīvējumu. Bojāts/ieplīsis blīvējums liek ledusskapim darboties ilgāku laiku, lai saglabātu esošo temperatūru.</li> </ul>
Saldēšanas kameras temperatūra ir ļoti zema, bet ledusskapja temperatūra ir apmierinoša.
<ul style="list-style-type: none"> <li>• Saldētāja temperatūra ir noregulēta ļoti zemai temperatūrai. Iestatiet augstāku saldētāja temperatūru un pārbaudiet.</li> </ul>
Ledusskapja temperatūra ir ļoti zema, bet saldēšanas kameras temperatūra ir apmierinoša.
<ul style="list-style-type: none"> <li>• Ledusskapja temperatūra ir noregulēta ļoti zemai temperatūrai. Iestatiet augstāku ledusskapja temperatūru un pārbaudiet.</li> </ul>
Pārtika, kas atrodas ledusskapja nodalījuma atvilktnēs, sasalst.
<ul style="list-style-type: none"> <li>• Ledusskapja temperatūra ir noregulēta ļoti zemai temperatūrai. Iestatiet augstāku ledusskapja temperatūru un pārbaudiet.</li> </ul>
Ledusskapja vai saldēšanas kameras temperatūra ir ļoti augsta.
<ul style="list-style-type: none"> <li>• Noregulēta ļoti augsta ledusskapja temperatūra. Ledusskapja temperatūra ietekmē saldēšanas kameras temperatūru. Mainiet ledusskapja vai saldētāja temperatūru, līdz saldētāja vai ledusskapja temperatūra sasniedz pietiekošu līmeni.</li> <li>• Durvis atstātas pusvīrus. Kārtīgi aizveriet durvis.</li> <li>• Nesen ledusskapī ievietots liels daudzums karsta ēdiena. Gaidiet, līdz ledusskapis vai saldētājs sasniedz vēlamu temperatūru.</li> <li>• Ledusskapis var būt nesen ieslēgts. Ledusskapja pilnīga atdzesēšana prasa laiku tā izmēra dēļ.</li> </ul>



No ledusskapja atskan skaņas, kas līdzīgas mehāniskā pulksteņa tikšķēšanai.
<ul style="list-style-type: none"> <li>Šis troksnis nāk no ledusskapja elektromagnētiskā vārsta. Elektromagnētiskais vārsts nodrošina dzesēšanas šķidruma plūšanu cauri nodalījumam un var tikt noregulēts atbilstoši dzesēšanas vai saldēšanas temperatūrai un dzesēšanas funkciju veikšanai. Tas ir normāli un nav defekts.</li> </ul>
Darbības troksnis palielinās, kad ledusskapis darbojas.
<ul style="list-style-type: none"> <li>Ledusskapja darbības veiktspējas raksturlielumi var mainīties atkarībā no ārējās temperatūras izmaiņām. Tas ir normāli un nav defekts.</li> </ul>
Vibrācijas vai trokšņi.
<ul style="list-style-type: none"> <li>Grīda nav līdzena vai tā ir ļodzīga. Ledusskapis līgojas, ja tas tiek lēni pakustināts. Pārļiecinieties, ka grīda atrodas vienā līmenī, tā ir izturīga un spēj noturēt ledusskapja svaru.</li> <li>Iespējams troksni rada uz ledusskapja noliktās lietas. Tādas lietas jānoņem no ledusskapja virsmas.</li> </ul>
Atskan trokšņi, kas atgādina šķidrums izlīšanu vai izšķāšanos.
<ul style="list-style-type: none"> <li>Atbilstoši ledusskapja darbības principiem tajā plūst šķidrums un gāze. Tas ir normāli un nav defekts.</li> </ul>
Atskan troksnis, kas atgādina vēja pūšanu.
<ul style="list-style-type: none"> <li>Tiek izmantoti gaisa aktivizētāji (ventilatori), lai ledusskapis tiktu efektīvāk atdzesēts. Tas ir normāli un nav defekts.</li> </ul>
Kondensācija uz ledusskapja iekšējām sienām.
<ul style="list-style-type: none"> <li>Karsti un mitri laika apstākļi palielina ledus un kondensāta veidošanos. Tas ir normāli un nav defekts.</li> <li>Durvis tiek turētas pusvīrus. Pārļiecinieties, ka durvis ir cieši aizvērtas.</li> <li>Iespējams durvis tikušas ļoti bieži atvērtas vai turētas atvērtas ilgu laiku. Atveriet durvis retāk.</li> </ul>
Ledusskapja ārpusē vai starp durvīm rodas mitrums.
<ul style="list-style-type: none"> <li>Iespējams ir mitri laika apstākļi. Tas ir normāli mitros laika apstākļos. Kad mitrums būs mazāks, kondensāts izzudīs.</li> </ul>
Slikta smaka ledusskapī.
<ul style="list-style-type: none"> <li>Ledusskapja iekšpuse ir jāiztīra. Iztīriet ledusskapja iekšpusi ar sūkli, siltu ūdeni vai gāzētu ūdeni.</li> <li>Iespējams smaku izraisa daži konteineri vai iepakojuma materiāli. Izmantojiet citus konteinerus vai citas markas iepakojuma materiālu.</li> </ul>
Durvis neizveras.
<ul style="list-style-type: none"> <li>Pārtikas iepakojums var neļaut durvīm aizvērties. Pārvietojiet pakas, kas traucē durvīm.</li> <li>Iespējams ledusskapis neatrodas pilnīgi vertikāli uz grīdas un tas līgojas, kad tiek nedaudz pakustināts. Noregulējiet pacelšanas skrūves.</li> <li>Grīda nav vienā līmenī vai pietiekami izturīga. Pārļiecinieties, ka grīda atrodas vienā līmenī un spēj noturēt ledusskapi.</li> </ul>
Augļu nodalījuma atvilktnes ir iesprūdušas.
<ul style="list-style-type: none"> <li>Iespējams pārtika pieskaras atvilktnes griestiem. Pārkārtojiet atvilktnē esošo pārtiku.</li> </ul>

## Pirmiausia įdėmiai perskaitykite šį vadovą!

Gerbiamas pirkėjų,

Mes tikimės, kad mūsų gaminy, kuris buvo sukurtas moderniose gamyklose ir kruopščiai patikrintas pagal griežtus kokybės kontrolės reikalavimus, veiksmingai ir ilgai jums tarnaus.

Todėl mes rekomenduojame jums prieš naudojimą atidžiai perskaityti visą šio gaminio vartotojo vadovą ir išsaugoti jį, kad galėtumėte pasinaudoti juo ateityje.

### Šis vadovas

- Padės jums greitai ir saugiai naudoti šį buitinį prietaisą.
- Prieš sumontuodami ir pradėdami naudoti šį gaminį, perskaitykite šį vadovą.
- Vadovaukitės nurodymais, ypač nurodymais dėl saugos.
- Laikykite šį vadovą lengvai pasiekiamoje vietoje, nes juo dar gali tekti pasinaudoti.
- Taip pat perskaitykite ir kitus su šiuo gaminiu pateiktus dokumentus.

Atkreipkite dėmesį, kad šis vadovas gali galioti ir kitiems modeliams.

### Ženkli ir jų aprašymas

Šioje naudojimo instrukcijoje panaudoti tokie ženklai:

- ⓘ Svarbi informacija arba naudingi patarimai dėl naudojimo.
- ⚠ Įspėjimas dėl sveikatai pavojingų arba žalos turtui galinčių padaryti sąlygų.
- ⚠ Įspėjimas dėl elektros įtampos.

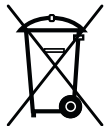


### **DĖMESIO!**

Norėdami užtikrinti normalų šio šaldymo prietaiso, kuriame naudojama visiškai aplinkai žalos nedaranti šaldymo medžiaga R600a (degi esant tik tam tikroms aplinkos sąlygoms), veikimą, privalote vadovautis šiomis taisyklėmis:

- Nesutrikdysite laisvos oro cirkuliacijos aplink prietaisą.
- Norėdami pagreitinti atšildymo procesą, nenaudokite kitokių, nei gamintojų rekomenduojamų mechaninių priemonių.
- Nesugadinkite šaldymo linijos.
- Buitinio prietaiso maisto saugojimo skyriuose nenaudokite elektrinių prietaisų, nebent juos rekomenduotų gamintojas.

### Perdirbimas



Šis produktas pateikiamas kartu su selektyvaus rūšiavimo simbolis atliekų elektros ir elektroninės įrangos atliekų (WEEE).

Tai reiškia, kad šis produktas turi būti tvarkomas pagal Europos Direktyvą 2002/96/EC, kad būtų perdirbama ar išmontuoti kuo labiau sumažintų jos poveikį aplinkai. Dėl išsamesnės informacijos, prašome susisiekti su vietiniu ar regioniniu autoritetu.

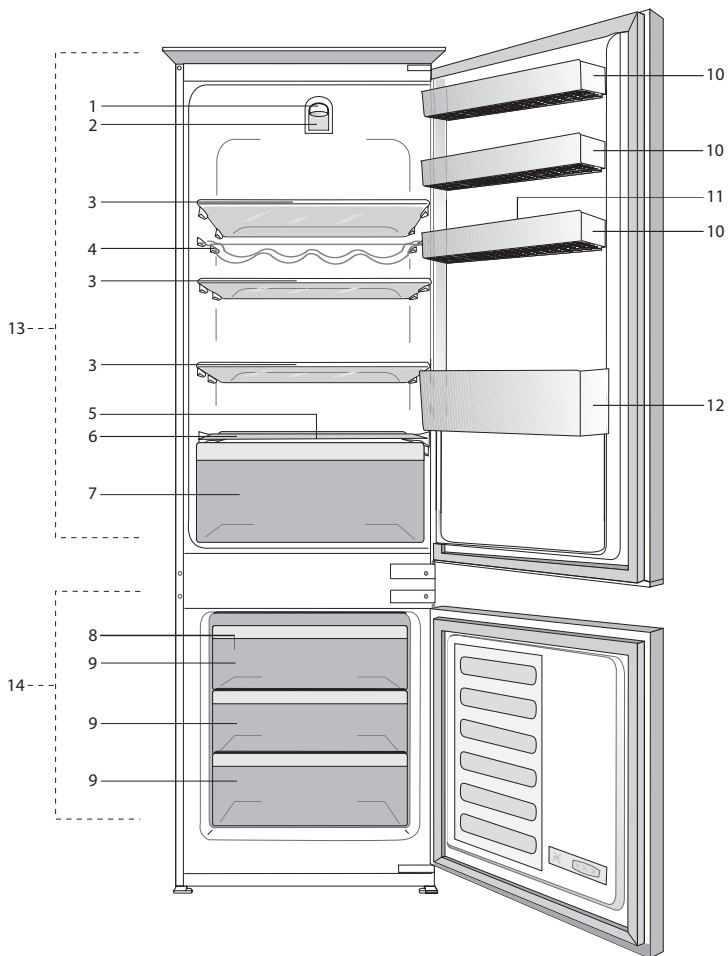
Elektroniniai produktai, nepriskirti prie atrankinio rūšiavimo procesą yra potencialiai pavojingos aplinkai ir žmonių sveikatai dėl to, kad buvimo pavojingos medžiagos.

## **TURINYS**

---

<b>1 Šaldytuvas</b>	<b>3</b>	<b>4 Paruošimas</b>	<b>10</b>
<b>2 Svarbūs įspėjimai dėl saugos</b>	<b>4</b>	<b>5 Šaldytuvo naudojimas</b>	<b>11</b>
Naudojimo paskirtis .....	4	Temperatūros nustatymo rankenėlė.....	11
Bendrieji saugos reikalavimai .....	4	Atšildykite .....	11
Gaminiam su vandens dalytuvu;.....	6	<b>6 Techninė priežiūra ir valymas</b>	<b>13</b>
Vaikų sauga.....	6	Plastikinių paviršių apsauga .....	13
HCA įspėjimas		<b>7 Rekomenduojami problemų sprendimo būdai</b>	<b>14</b>
Jeigu gaminyje įrengta aušinimo sistema, kurioje naudojama R600a.....	6		
Nepaisykite šio įspėjimo, jeigu gaminyje įrengta aušinimo sistema, kurioje naudojama R134a .....	6		
Ką reikia daryti, norint sutaupyti energijos.....	6		
<b>3 Įrengimas</b>	<b>7</b>		
Į ką reikia atsižvelgti vežant šį šaldytuvą .....	7		
Prieš pradėdant naudoti šaldytuvą.....	7		
Elektros prijungimas.....	7		
Pakuotės išmetimas .....	8		
Seno šaldytuvo išmetimas .....	8		
Pastatymas ir instaliacija .....	8		
lekšėjā apgaismojuma spuldzes nomaiņa .....	8		
Durų perstatymas,.....	9		

# 1 Šaldytuvas



1. Temperatūros nustatymo rankenėlė
2. Vidaus apšvietimas
3. Reguliuojamos lentynos
4. Atrama vyno buteliams
5. Atšildyto vandens surinkimo kanalas - drenažo vamzdelis
6. Daržovių ir vaisių stalčiaus dangtis
7. Daržovių ir vaisių stalčiaus
8. Ledo surinkimo lentyna
9. Skyriai užšaldytiems maisto produktams laikyti
10. Pritaikomos durų lentynos
11. Kiaušinių dėklas
12. Butelių lentyna
13. Šaldytuvo skyrius
14. Šaldiklio skyrius

ⓘ Šiame eksploataavimo vadove pateikti paveikslėliai yra orientacinio pobūdžio; gali būti, kad jie tiksliai nevaizduoja jūsų turimo gaminio. Jei jūsų turimame gaminyje nėra aprašomų dalių, tai reiškia, jog tai taikoma kitiems modeliams.

## 2 Svarbūs įspėjimai dėl saugos

Prašome atidžiai perskaityti toliau pateiktą informaciją. Nepaisant šios informacijos, galima susižaloti arba padaryti žalos turtui. Tuomet nebegalios jokia garantija ir gamintojo įsipareigojimai.

Originalios atsarginės dalys tiekiamos 10 metų nuo gaminio įsigijimo dienos.

### Naudojimo paskirtis

Šis gaminys skirtas naudoti:

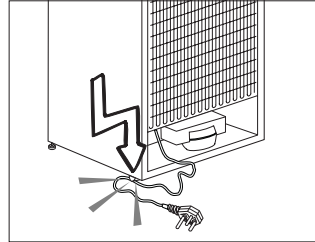
- patalpose ir uždaroje vietose, pavyzdžiui, namuose;
  - uždaroje darbo aplinkoje, pavyzdžiui, parduotuvėse ir biuruose;
  - uždaroje apgyvendinimo vietose, pavyzdžiui, ūkininkų gyvenamuosiuose namuose, viešbučiuose, pensionuose.
- Šio gaminio negalima naudoti lauke.

### Bendrieji saugos reikalavimai

- Kai šį gaminį norėsite išmesti arba atiduoti į metalo laužą, rekomenduojama pasikonsultuoti su įgaliotomis tarnybomis ir institucijomis, kad sužinotumėte reikiamą informaciją.
- Jei kyla klausimų apie šaldytuvą arba atsiranda problemų, pasikonsultuokite su įgaliotais aptarnavimo specialistais. Šaldytuvo neardykite ir niekam neleiskite to daryti; tai galima daryti tik apie tai pranešus įgaliotiems aptarnavimo specialistams.
- Gaminiams su šaldiklio kamera; Ledų ir ledo kubelių nevalgykite vos juos išėmę į šaldiklio kameros! (Galite nušalti burną.)
- Gaminiams su šaldiklio kamera; Į šaldiklio kamerą nedėkite butelių ir skardinių su gėrimais. Jie gali sprogti.
- Užšaldytų maisto produktų nelieskite rankomis – jie gali prilipti prie rankų.
- Prieš valydami arba atšildydami šaldytuvą, atjunkite jį nuo elektros tinklo.
- Šaldytuvui valyti ir šerkšnei šalinti negalima naudoti garų ir garinių valomųjų medžiagų. Garai gali pasiekti elektrines dalis ir sukelti trumpą jungimą arba elektros smūgį.
- Šaldytuvo dalių, pavyzdžiui, nuo spyrio apsaugančios plokštės arba durelių, nenaudokite kaip atramos ar laiptelio.
- Šaldytuvo viduje nenaudokite elektros prietaisų.
- Žiūrėkite, kad gręžimo ar pjovimo įrankiais nepažeistumėte dalių, kuriose cirkuliuoja aušinamasis skystis. Iš pradurtų garintuvo dujų kanalų, vamzdžių ilgutuvų arba paviršiaus dangų ištryškęs aušinamasis skystis gali suerzinti odą ir pažeisti akis.
- Jokiomis medžiagomis neuždenkite ir neužkimškite šaldytuvo ventiliacinių angų.
- Elektrinius prietaisus privalo taisyti tik įgaliotieji asmenys. Jei remontą vykdys nekompetentingi asmenys, naudotojui gali kilti pavojus.
- Įvykus trikdžiai, taip pat techninės priežiūros arba remonto metu šaldytuvui atjunkite elektros maitinimą – arba išsukite atitinkamą saugiklį, arba ištraukite prietaiso laido kištuką.
- Netraukite laikydami už laido – traukite laikydami už kištuko.
- Stiprius alkoholinius gėrimus stipriai užkimškite ir laikykite vertikaliaje padėtyje.
- Šaldytuve niekada nelaikykite flakonų su degiomis ir sprogiomis medžiagomis.

- Norėdami paspartinti atitirpinimo procesą, nenaudokite jokių mechaninių prietaisų ar kitų priemonių, išskyrus gamintojo rekomenduojamas.
- Šis buitinis prietaisas nėra skirtas naudoti asmenims (įskaitant vaikus) su fiziniais, jutimo ar protiniais sutrikimais arba asmenims, kurie turi nepakankamai patirties ir žinių naudoti šį prietaisą, nebent juos tinkamai prižiūrėtų (arba nurodytų, kaip naudoti šį buitinį prietaisą) už jų saugą atsakingas asmuo.
- Nenaudokite sugedusio šaldytuvo. Jeigu dėl ko nors nerimaujate, pasikonsultuokite su techninio aptarnavimo specialistais.
- Šaldytuvo elektros sauga garantuojama tik tuo atveju, jei jūsų name įrengta žemėnimo sistema atitinka standartus.
- Gaminį statyti vietoje, neapsaugotoje nuo lietaus, sniego, saulės ir vėjo, pavojinga elektros saugos požiūriu.
- Jeigu maitinimo kabelis būtų pažeistas, susisiekiate su įgaliotuoju techninio aptarnavimo centru, kad išvengtumėte pavojaus.
- Įrengimo metu draudžiama šaldytuvo maitinimo laidą kištuką įkišti į sieninį lizdą – galite žūti arba patirti rimtą traumą.
- Šis šaldytuvai skirtas tik maisto produktams laikyti. Prietaiso negalima naudoti kitai paskirčiai.
- Etiketė, kurioje nurodomi techniniai gaminio duomenys, pritvirtinta vidinėje kairėje šaldytuvo pusėje.
- Niekada neįjunkite šio šaldytuvo į elektros energijos taupymo sistemas; jos gali sugadinti šaldytuvą.
- Jeigu šaldytuve įrengta mėlyna kontrolinė lemputė, nežiūrėkite į mėlyną šviesą pro optinius prietaisus.
- Jeigu naudojate rankiniu būdu valdomą šaldytuvą, nutrūkus elektros tiekimui, prieš vėl jį įjungdami, palaukite bent 5 minutes.

- Atidavus šį gaminį kitiems, naujam gaminio savininkui reikia atiduoti ir šią naudojimo instrukciją.
- Gabendami šaldytuvą, stenkitės nepažeisti maitinimo kabelio. Sulenktas kabelis gali sukelti gaisrą. Ant maitinimo kabelio niekada nestatykite sunkių daiktų. Jungdami gaminį į maitinimo tinklą, nelieskite kištuko drėgnomis rankomis.



- Neįjunkite šaldytuvo, jeigu sieninis lizdas yra atsilaisvinęs.
- Saugumo sumetimais nepukškite vandens tiesiai ant vidinių arba išorinių šio gaminio dalių.
- Nepurškite šalia šaldytuvo degių medžiagų, pavyzdžiui, propano dujų ir pan., nes kyla gaisro ir sprogo pavojus.
- Nestatykite ant šaldytuvo indų su vandeniu, nes gali kilti elektros smūgis arba gaisras.
- Neprikraukite į šaldytuvą per daug maisto produktų. Pridėjus per daug maisto produktų, atidarant arba uždarant šaldytuvo duris, jie gali išskristi ir sužeisti. Niekada nestatykite ant šaldytuvo daiktų, nes atidarius arba uždarius šaldytuvo dureles, jie gali nukristi.
- Šaldytuve negalima laikyti medžiagų, kurioms saugoti reikia tikslios temperatūros, pavyzdžiui, vakcinų, temperatūrai jautrių vaistų, mokslinių tyrimų medžiagų ir pan.

- Jeigu šaldytuvo ilgai nenaudojate, būtinai atjunkite jį nuo maitinimo tinklo. Dėl galimo maitinimo kabelio pažeidimo gali kilti gaisras.
- Elektros kištuką reikia reguliariai nuvalyti, kitaip jis gali sukelti gaisrą.
- Elektros kištuką reikia reguliariai valyti sausu skudurėliu, kitaip gali kilti gaisras.
- Jeigu reguliuojamos kojelės netvirtai remsis į grindis, šaldytuvus gali judėti. Pareguliuokite reguliuojamas kojeles, kad jos tinkamai remtųsi į grindis ir šaldytuvus nejudėtų.
- Nešdami šaldytuvą, nelaikykite jo už durų rankenos. Kitaip ji gali nulūžti.
- Jeigu šį gaminį reikia statyti prie kito šaldytuvo arba šaldiklio, tarp prietaisų būtina palikti bent 8 cm tarpą. Kitaip gretimos šoninės sienelės gali pradėti rasoti.

## Gaminiams su vandens dalytuvu

Slėgis vandentiekio vamzdyje turi būti ne mažesnis nei 1 baras. Slėgis vandentiekio vamzdyje turi būti ne didesnis nei 8 barai.

- Naudokite tik geriamąjį vandenį.

## Vaikų sauga

- Jeigu durelės rakinamos spyna, laikykite raktą vaikams nepasiekiamoje vietoje.
- Privaloma prižiūrėti mažus vaikus, kad jie nežaistų su šiuo buitiniu prietaisu.

## HCA įspėjimas Jeigu gaminyje įrengta aušinimo sistema, kurioje naudojama R600a:

Šios dujos lengvai užsiliepsnoja. Todėl būkite atsargūs, kad eksploataavimo ir transportavimo metu nepažeistumėte aušinimo sistemos ir vamzdžių.

Pažeidimo atveju, saugokite gaminį nuo galimų liepsnos šaltinių, nuo kurių gaminys galėtų užsidegti, ir vėdinkite patalpą, kurioje stovi šis prietaisas.

## Nepaisykite šio įspėjimo, jeigu gaminyje įrengta aušinimo sistema, kurioje naudojama R134a.

Gaminyje naudojamų dujų rūšis nurodyta techninių gaminio duomenų etiketėje, kuri yra pritvirtinta vidinėje kairėje šaldytuvo pusėje.

Niekuomet nedeginkite šio buitinio

## Ką reikia daryti, norint sutaupyti energijos

- Nelaikykite šaldytuvo durelių atidarytų ilgą laiką.
- Į šaldytuvą nedėkite karšo maisto arba gėrimų.
- Į šaldytuvą nedėkite pernelyg daug maisto produktų, kad nebūtų kliudoma viduje cirkuliuoti orui.
- Šaldytuvo nestatykite vietoje, kur šviečia tiesioginiai saulės spinduliai arba arti šilumą skleidžiančių prietaisų, pavyzdžiui, orkaitių, indaplovių arba radiatorių.
- Maisto produktus laikykite uždaruose induose.
- Gaminiuose su šaldymo kamera; išėmę šaldiklio lentyną arba stalčių, šaldiklio kameroje galite laikyti maksimalų produktų kiekį. Paskelbtosios šaldytuvo energijos sąnaudos nustatytos išėmus šaldiklio kameros lentyną arba ištraukus stalčių ir sudėjus maksimalų leistiną produktų kiekį. Ant lentynos arba stalčiuje galima saugiai laikyti užšaldyti skirtus produktus, atsižvelgiant į jų formą ir dydį.
- Atšildant šaldytus maisto produktus šaldytuvo skyriuje, bus ir taupoma energija, ir išsaugoma maisto kokybė.

### 3 Įrengimas

⚠ Prašom atkreipti dėmesį, kad gamintojas neprisiima atsakomybės, jei bus nepaisoma šiame eksploataavimo vadove pateiktos informacijos.

#### Į ką reikia atsižvelgti vežant šį šaldytuvą

1. Prieš šaldytuvą transportuojant, jį reikia ištuštinti ir išvalyti.
2. Prieš šaldytuvą supakuojant, jame esančias lentynas, papildomas dalis, daržovių dėtuves ir kt. būtina sutvirtinti lipnia juosta, kad šios dalys nesikratytų.
3. Pakuotės medžiagas būtina sutvirtinti storomis juostomis ir tvirtomis virvėmis; būtina paaisyti ant pakuotės pateiktų transportavimo instrukcijų.

#### Atminkite...

Visų medžiagų perdirbimas turi didelės įtakos tausojant gamtos ir mūsų šalies išteklius.

Jei pakavimo medžiagas norite atiduoti perdirbti, kreipkitės į aplinkosaugos institucijas arba vietos valdžios įstaigas, kur jums bus suteikta daugiau informacijos.

#### Prieš pradėdami naudoti šaldytuvą

Prieš pradėdami naudoti buitinį prietaisą, patikrinkite, ar:

1. Šaldytuvo vidus yra sausas, o galinėje dalyje oras laisvai cirkuliuoja?
2. Vidų valykite vadovaudamiesi nurodymais, pateiktais skyriuje „Techninė priežiūra ir valymas“.

3. Įkiškite šaldytuvo elektros kištuką į sieninį lizdą. Atidarius šaldytuvo dureles, užsidega vidinis apšvietimas.
4. Pradėjus veikti kompresoriui, išgirsite nestiprius garsus. Ar kompresorius veikia, ar ne, šaldytuvo sistemoje hermetiškai uždarytas skystis ir dujos taip pat gali kelti silpnus garsus – tai visiškai normalu.
5. Priekiniai šaldytuvo kraštai gali įšilti. Tai normalu. Šios vietos turi būti šiltos tam, kad nesusidarytų kondensacija.

#### Elektros prijungimas

Prijunkite gaminį prie įžeminto lizdo su tinkamos kategorijos saugikliu.

Svarbu

- Elektros prijungimą būtina atlikti atsižvelgiant į savo šalies reglamentus.
- Atlikus elektros instaliaciją, maitinimo laido kištukas turi būti lengvai pasiekiamas.
- Nurodytas įtampos stiprumas turi būti toks pat, kaip ir maitinimo tinklo įtampos stiprumas.
- Prijungimui negalima naudoti ilginimo laidų ir daugiaskylių kištukų.

⚠ Pažeistą maitinimo laidą privalo pakeisti kvalifikuotas elektrikas.

⚠ Negalima naudoti buitinio prietaiso, kol nebus pataisytas jo laidas! Kyla elektros smūgio pavojus!



## Pakuotės išmetimas

Pakavimo medžiagos gali kelti pavojų vaikams. Laikykite pakavimo medžiagas vaikams nepasiekiamoje vietoje arba išmeskite jas, išrūšiuodami pagal atliekų rūšiavimo nurodymus. Neišmeskite pakavimo medžiagų kartu su kitomis buitinėmis atliekomis.

Šaldytuvo pakavimo medžiagos yra pagamintos iš pakartotinai panaudojamų medžiagų.

## Seno šaldytuvo išmetimas

Seną šaldytuvą išmeskite taip, kad nebūtų daroma žala aplinkai.

- Kaip išmesti šį šaldytuvą, galite sužinoti iš savo įgaliotojo pardavimo atstovo arba savo savivaldybės atliekų surinkimo punkte.

Prieš išmesdami šaldytuvą, nupjaukite elektros kištuką ir, jei duryi turi kokių nors užraktų, sugadinkite juos, kad nekiltų pavojų vaikams.

## Pastatymas ir instaliacija

⚠ Jei patalpos, kurioje bus įrengiamas šaldytuvas, įėjimas nėra pakankamai platus, kad pro jį būtų galima įnešti šaldytuvą, iškvieskite įgaliotus aptarnavimo darbuotojus, kad jie nuimtų šaldytuvo dureles ir jį pro įėjimą įneštų šonu.

1. Šaldytuvą įrenkite tokioje vietoje, kur jį būtų lengva eksploatuoti.
2. Šaldytuvą statykite atokiai nuo šilumos šaltinių, drėgnų vietų ir tiesioginių saulės spindulių.

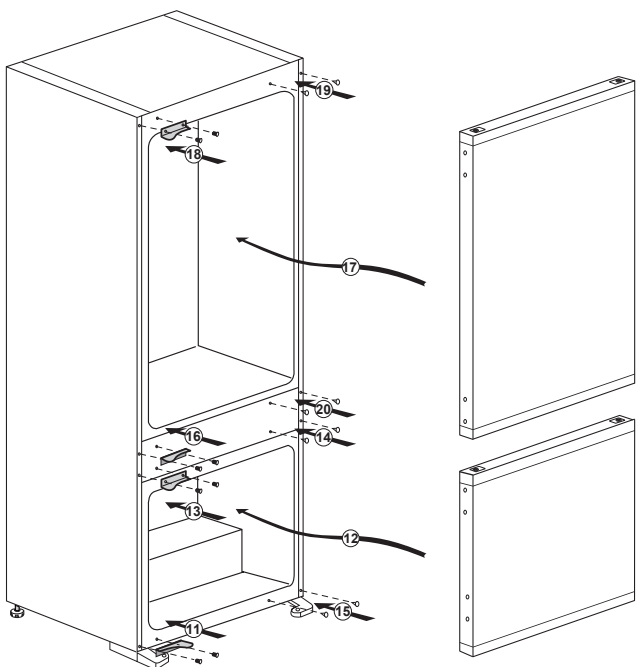
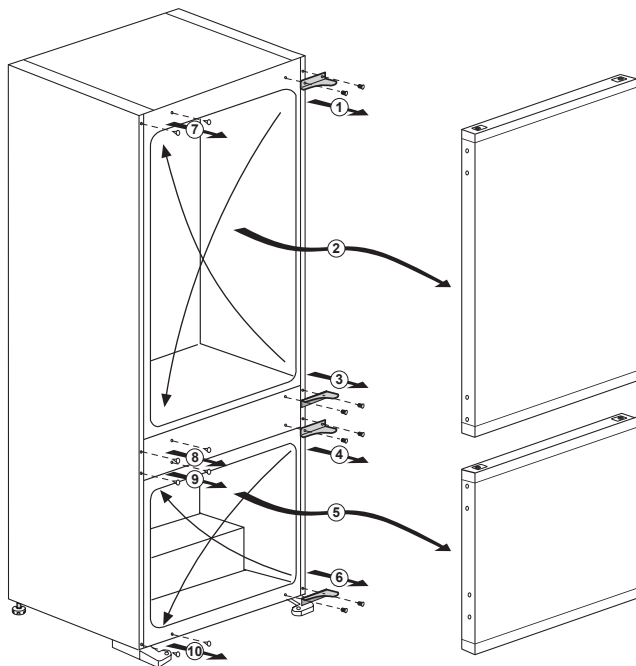
3. Tam, kad šaldytuvas efektyviai veiktų, aplink jį turi būti tinkama oro ventiliacija. Jei šaldytuvą reikia statyti sienos nišoje, nuo šaldytuvo iki lubų ir iki sienų turi būti mažiausiai 5 cm tarpas. Jei ant grindų patiestas kilimas, šį gaminį virš grindų būtina pakelti 2,5 cm.
4. Tam, kad nekiltų vibracija, šaldytuvą statykite ant lygaus grindų paviršiaus.
5. Šaldytuvo nestatykite patalpoje, kurioje aplinkos temperatūra žemesnė negu 10°C.

## Iekšējā apgaismojuma spuldzes nomaiņa

Jei reikia pakeisti šaldytuvo apšvietimo lempuķi, susisiekite su artimiausia įgaliotaja tehninio aptarnavimo tarnyba. Šajā ierīcē izmantotā lampa nav piemērota istabu apgaismojumam. Šīs lampas mērķis ir padarīt pārtikas produktu ievietošanu ledusskapī/saldētavā drošu un ērtu. Šajā ierīcē izmantotajām lampām ir jāspēj funkcionēt ekstrēmās fiziskos apstākļos, piemēram, temperatūrā, kas nepārsniedz -20°C.

# Durų perstatymas

Veiksnius atlikite paeiliui pagal numerį.

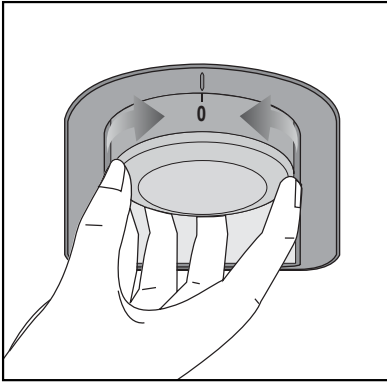


## 4 Paruošimas

---

- i** Šaldytuvą reikia įrengti mažiausiai 30 cm atstumu nuo šilumos šaltinių, pavyzdžiui, viryklės viršaus, orkaitių, centrinio šildymo radiatorių bei virklių, ir mažiausiai 5 cm atstumu nuo elektrinių orkaitių; nestatykite jo tiesioginiuose saulės spinduliuose.
- i** Patalpos, kur įrengiamas šaldytuvas, aplinkos temperatūra turi būti ne žemesnė negu 10°C. Šaldytuvo nerekomenduojama eksploatuoti esant žemesnei temperatūrai, nes jo veikimo efektyvumas taps prastesnis.
- i** Rūpinkitės šaldytuvo vidaus švara.
- i** Jei du šaldytuvai įrengiami vienas šalia kito, tarp jų turi būti mažiausiai 2 cm atstumas.
- i** Šaldytuvą pradėję eksploatuoti pirmą kartą, pirmąsias šešias valandas prašom paisyti tokių instrukcijų:
  - Nedarinėkite dažnai durelių.
  - Šiuo periodu šaldytuve turi nebūti maisto produktų.
  - Neišjunkite šaldytuvo iš maitinimo tinklo. Jei nutrūktų elektros tiekimas, žr. skyriuje „Rekomenduojami problemų sprendimo būdai“ pateiktus įspėjimus.
- i** Originalias pakuotės medžiagas ir pustpalstį derėtų saugoti ateičiai, jei šaldytuvą prireiktų transportuoti arba perkelti.

## 5 Šaldytuvo naudojimas



### Temperatūros nustatymo rankenėlė

Šaldytuvo vidaus temperatūra pasikeičia dėl šių priežasčių:

- sezoninės temperatūros;
- ilgam laikui tarpui palikus atidarytas šaldytuvo duris;
- dedant maistą į šaldytuvą prieš tai neatvėsinus jo iki kambario temperatūros;
- dėl šaldytuvo vietos patalpoje (pvz., pastačius jį ten, kur jį veikia tiesioginiai saulės spinduliai);
- Galite pareguliuoti dėl tokių priežasčių pakeistą vidaus temperatūros parinkimo rankenėlės nuostatą, naudodami termostatą. Aplink šią rankenėlę esantys skaičiai parodo šaldymo laipsnius.
- Jeigu aplinkos temperatūra yra didesnė nei 32°C, nustatykite termostato rankenėlę į maksimalią padėtį.
- Jeigu aplinkos temperatūra yra žemesnė nei 25°C, nustatykite termostato rankenėlę į minimalią padėtį.

### Atšildykite

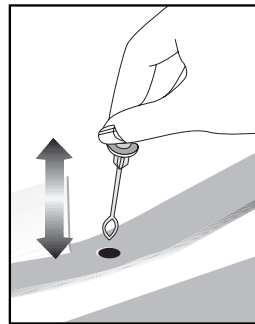
#### A) Šaldytuvo skyrius

Šaldytuvo skyrius atšyla visiškai automatiškai.

Šaldytuvui vėstant, ant vidinės galinės šaldytuvo skyriaus sienelės gali susidaryti vandens lašų ir 7-8 mm šerkšnas. Tai normalus aušinimo sistemos reiškinys. Susidaręs šerkšnas atšildomas automatinio atšildymo metu, kurį tam tikrais intervalais atlieka galinės sienelės atšildymo sistema. Vartotojui nereikia grandyti šerkšno arba šalinti vandens lašelių.

Vanduo, susidaręs atšildymo metu, teka vandens surinkimo grioveliu ir pro išleidimo vamzdelį suteka į garintuvą bei savaime išgaruoja.

Reguliariai tikrinkite, ar išleidimo vamzdelis nėra užkištas ir, kai reikia, išvalykite jį, naudodami pagaliuką.



## B) Šaldiklio kame

Šaldiklio skyrius automatiškai neatšildomas, kad nesugestų jame laikomi užšaldyti maisto produktai.

Atšaldymo procesas yra labai paprastas: naudojant ypatingą atšildyto vandens surinkimo indą, jis vyksta labai tvarkingai.

Atšildykite šaldytuvą dukart per metus arba tuomet, kai susidarys maždaug 7 mm (1/4 col.) šerkšno sluoksnis.

Norėdami pradėti atšildymo procesą, išjunkite buitinio prietaiso jungiklį ir ištraukite jo kištuką iš elektros lizdo. Visus maisto produktus suvyniokite į keletą laikraščio sluoksnių ir padėkite į vėsią vietą (pvz., į šaldytuvą arba sandėliuką). Norint pagreitinti atšildymo procesą, šaldiklyje galima atsargiai pastatyti indų su šiltu vandeniu.

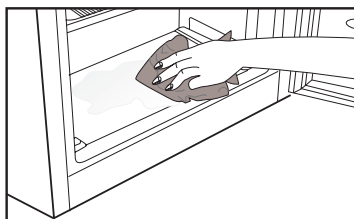
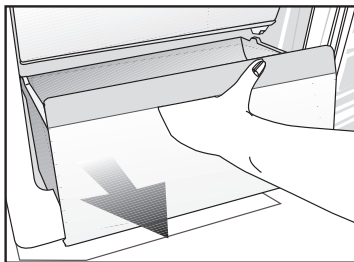
Užšalusiems lašeliams pašalinti nenaudokite smailių daiktų arba daiktų su aštriais galais, pvz., peilių arba šakučių.

Atšildymui niekada nenaudokite plaukų džiovintuvų, elektrinių šildytuvų arba kitokių panašių elektrinių buitinių prietaisų.

Šaldiklio skyriaus apačioje susikaupusį atšilusį vandenį sugerkite kempine.

Prietaisui atšilus, kruopščiai nusausinkite jo vidų.

Įkiškite kištuką į sienoje esantį elektros lizdą ir įjunkite buitinio prietaiso jungiklį.



## 6 Techninė priežiūra ir valymas

- ⚠ Valymui niekada nenaudokite benzino, benzolo arba panašių medžiagų.
- ⚠ Prieš valymą rekomenduojama išjungti buitinį prietaisą iš maitinimo tinklo.
- ℹ Valymui niekada nenaudokite aštrių abrazyvinių įrankių, muilo, buitinio valiklio, skalbimo priemonių ar vaško poliravimui.
- ℹ Buitinio prietaiso skyrių nuvalykite drungnu vandeniu, o po to sausai iššluostykite.
- ℹ Šaldytuvo vidui valyti naudokite drėgną nuspauštą skudurėlį, sudrėkintą tirpale, pagamintame ištirpinus vieną arbatinį šaukštelį sodos (bikarbonato) vienoje pintoje (0,57 litro) vandens; po to sausai iššluostykite.
- ⚠ Žiūrėkite, kad į lemputės korpusą ir kitus elektros elementus nepatektų vandens.
- ⚠ Jeigu ketinate ilgam nenaudoti buitinio prietaiso, išjunkite jį ir išimkite visą maistą, išvalykite jį ir palikite dureles pravertas.
- ℹ Reguliariai patikrinkite, ar durelių tarpikliai yra švarūs ir ant jų nėra maisto dalelių.
- ℹ Norėdami ištraukti durelių lentynas, išimkite visus daiktus ir po to paprasčiausiai patraukite durelių lentyną į viršų nuo pagrindo.

- ℹ Valydami išorinius prietaiso paviršius bei chromu padengtas dalis, niekada nenaudokite valymo medžiagų ar vandens su chloru. Chloras sukelia tokių metalinių paviršių koroziją.

### Plastikinių paviršių apsauga

- ℹ Į šaldytuvą nedėkite skysto aliejaus ar aliejuje virto maisto neuždarytuose induose, nes tokie produktai pažeis šaldytuvo plastikinius paviršius. Jei aliejus išsilieja ant plastikinių paviršių arba juos sutepa, užterštą vietą iš karto nuvalykite ir nuplaukite šiltu vandeniu.

## 7 Rekomenduojami problemų sprendimo būdai

Prieš kreipdamiesi į aptarnavimo tarnybą, prašom peržiūrėti šį sąrašą. Taip sutaupysite laiko ir pinigų. Šiame sąraše pateikiamos dažniausiai pasitaikančios problemos, kurios nėra susijusios su pagaminimo arba naudojamų medžiagų broku. Kai kurių čia aprašytų funkcijų jūsų įsigytame gaminyje gali nebūti.

Šaldytuvas neveikia.
<ul style="list-style-type: none"><li>• Ar tinkamai įkištas šaldytuvo laido kištukas? Įkiškite kištuką į sieninį lizdą.</li><li>• Ar neperdegė lizdo, į kurį yra įjungtas šaldytuvas, saugiklis arba maitinimo tinklo saugiklis? Patikrinkite saugiklį.</li></ul>
Kondensacija ant šaldytuvo skyriaus šoninių sienų. (MULTI ZONE, COOL CONTROL ir FLEXI ZONE).
<ul style="list-style-type: none"><li>• Labai žema aplinkos temperatūra. Dažnai atidaromos ir uždaromos durelės. Didelis aplinkos drėgnumas. Neuždarytuose induose laikomi skysti maisto produktai. Durelės buvo paliktos atidarytos.</li><li>• Nustatykite žemesnę termostato temperatūrą.</li><li>• Trumpiau laikykite dureles atviras arba jas rečiau darinėkite.</li><li>• Tinkamomis medžiagomis uždenkite atviruose induose laikomus maisto produktus.</li><li>• Susidariusius lašelius nuvalykite sausu skudurėliu ir patikrinkite, ar jie vėl susidaro.</li></ul>
Neveikia kompresorius.
<ul style="list-style-type: none"><li>• Įvykus staigiam energijos tiekimo pertrūkiui, iššoks kompresoriaus terminis saugiklis, arba, jei šaldytuvo slėgis aušinamojoje sistemoje nesubalansuotas, įsijungia išjungiklis.</li><li>• Šaldytuvas pradės veikti maždaug po 6 minučių. Jei praėjus šiam periodui šaldytuvas neįsijungia, kreipkitės į aptarnavimo tarnybą.</li><li>• Vyksta aldytuvo atsildymo ciklas. Tai normalus visikai automatinio atsildymo aldytuvo veikimas. Atsildymo ciklas vyksta periodikai.</li><li>• Šaldytuvo laido kištukas neįkištas į lizdą. Patikrinkite, ar kištukas gerai įkištas į sieninį lizdą.</li><li>• Ar nustatyta teisinga temperatūra? Įvyko energijos tiekimo pertrūkis. Kreipkitės į elektros tiekimo įmonę.</li></ul>

Šaldytuvas dažnai įsijungia arba ilgą laiką veikia.

- Gali būti, kad jūsų naujasis šaldytuvas platesnis už ankstesnįjį. Tai visiškai normalu. Dideli šaldytuvai veikia ilgesnį laiką.
- Gali būti, kad patalpoje yra aukšta temperatūra. Tai visiškai normalu.
- Gali būti, kad šaldytuvas neseniai prijungtas arba į jį neseniai sudėta maisto produktų. Visiškas šaldytuvo atvėsimas gali trukti pora valandų ilgiau.
- Gali būti, kad į šaldytuvą neseniai įdėta daug karštų maisto produktų. Įdėjus karštų maisto produktų, šaldytuvas veikia ilgiau, t.y. tol, kol produktai atvėsinami iki saugaus laikymo temperatūros.
- Gali būti, kad buvo dažnai atidarinėjamos durelės arba jos buvo ilgą laiką paliktos atidarytos. Į šaldytuvą pateko šilto oro, todėl šaldytuvas ilgiau veikia. Rečiau atidarinėkite dureles.
- Gali būti, kad šaldiklio arba šaldytuvo skyriaus durelės buvo paliktos atidarytos. Patikrinkite, ar gerai uždarėte dureles.
- Šaldytuve nustatyta labai žema temperatūra. Nustatykite aukštesnę šaldytuvo temperatūrą ir palaukite, kol ši temperatūra bus pasiekta.
- Gali būti, kad užsiteršė, susidėvėjo, buvo pažeistas arba blogai priglunda šaldytuvo arba šaldiklio durelių tarpiklis. Tarpiklį nuvalykite arba pakeiskite. Dėl pažeisto tarpiklio šaldytuvas ilgiau veikia, kad būtų palaikoma esama temperatūra.

Šaldiklio temperatūra labai žema, tačiau šaldytuvo skyriaus temperatūra normali.

- Šaldiklyje nustatyta labai žema temperatūra. Nustatykite aukštesnę šaldiklio temperatūrą ir patikrinkite.

Šaldytuvo temperatūra labai žema, tačiau šaldiklio skyriaus temperatūra normali.

- Šaldytuve nustatyta labai žema temperatūra. Nustatykite aukštesnę šaldytuvo temperatūrą ir patikrinkite.

Šaldytuvo skyriaus stalčiuose laikomi maisto produktai sušąla.

- Šaldytuve nustatyta labai žema temperatūra. Nustatykite aukštesnę šaldytuvo temperatūrą ir patikrinkite.

Temperatūra šaldytuve arba šaldiklyje labai aukšta.

- Šaldytuve nustatyta labai aukšta temperatūra. Šaldytuvo temperatūros nuostata daro poveikį šaldiklio temperatūrai. Nustatykite tokią šaldytuvo arba šaldiklio temperatūrą, kad ji būtų reikiamo lygio.
- Gali būti, kad durelės paliktos atidarytos. Dureles gerai uždarykite.
- Gali būti, kad į šaldytuvą neseniai įdėta daug karštų maisto produktų. Palaukite, kol šaldytuve arba šaldiklyje bus pasiekta norima temperatūra.
- Gali būti, kad šaldytuvas neseniai buvo prijungtas. Šaldytuvas yra didelis, todėl jis visiškai atvėsta praėjus tam tikram laikui.



Iš šaldytuvo sklinda garsai, primenantys mechaninio laikrodžio sekundžių tiksėjimą.
<ul style="list-style-type: none"> <li>Šį garsą skleidžia šaldytuvo solenoidinis vožtuvas. Solenoidinio vožtuvo funkcija - užtikrinti, kad šaldytuvo skyriuje cirkuliuotų aušinimo skystis; šis vožtuvas leidžia nustatyti aušinimą arba šaldymą bei vykdyti aušinimo funkcijas. Tai visiškai normalu ir nėra gedimas.</li> </ul>
Šaldytuvui pradėjus veikti, jis veikia triukšmingai.
<ul style="list-style-type: none"> <li>Šio šaldytumo darbo našumo savybės gali kisti, priklausomai nuo aplinkos temperatūros pokyčių. Tai normalu ir nėra gedimas.</li> </ul>
Vibracija arba triukmas.
<ul style="list-style-type: none"> <li>Nelygios arba silpnos grindys. Šaldytuvus lėtai judinamas linguoja. Grindys turi būti lygios, pakankamai tvirtos, kad išlaikytų šaldytuvą.</li> <li>Triukšmą gali kelti ant šaldytuvo sudėti daiktai. Tokius daiktus reikėtų nuimti nuo šaldytuvo viršaus.</li> </ul>
Garsai, panašūs į skysčio ištekėjimą arba purškimą.
<ul style="list-style-type: none"> <li>Šaldytuvus veikia jo viduje cirkuliuojant skysčio ir dujų srautams. Tai normalu ir nėra gedimas.</li> </ul>
Girdimas garsas, kyg vėjas pūstų.
<ul style="list-style-type: none"> <li>Norint, kad šaldytuvus veiksmingai šaldytų, jame naudojami oro srauto aktyviekiai (ventiliatoriai). Tai normalu ir nėra gedimas.</li> </ul>
Kondensacija ant vidinių šaldytuvo sienų.
<ul style="list-style-type: none"> <li>Apledėjimas ir kondensacija didėja esant karštam ir drėgnam orui. Tai normalu ir nėra gedimas.</li> <li>Atidarytos durelės. Patikrinkite, ar visiškai uždarėte šaldytuvo duris.</li> <li>Gali būti, kad durelės buvo dažnai darinėjamos arba jos ilgą laiką buvo paliktos atidarytos. Rečiau atidarinkite dureles.</li> </ul>
Ant šaldytuvo išorės arba tarp durelių susidaro drėgmės.
<ul style="list-style-type: none"> <li>Gali būti, kad oras labai drėgnas. Esant drėgnam orui tai visiškai normalu. Sumažėjus drėgnumui, kondensacija nesusidarys.</li> </ul>
Šaldytuve sklinda prastas kvapas.
<ul style="list-style-type: none"> <li>Reikia išvalyti šaldytuvo vidų. Šaldytuvo vidų išvalykite naudodami kempinę, šiltą arba prisotintą angliarūgštės vandenį.</li> <li>Gali būti, kad kvapą išskiria kai kurie indai arba pakuotės medžiagos. Naudokite kitą indą arba kitokios rūšies pakavimo medžiagą.</li> </ul>
Durelės neužsidaro.
<ul style="list-style-type: none"> <li>Gali būti, kad durims neleidžia užsidaryti maisto produktų pakuotės. Pakuotes, kurios trukdo durelėms užsidaryti, padėkite į kitą vietą.</li> <li>Gali būti, kad šaldytuvus nelygiai stovi ant grindų, todėl nesmarkiai jį stumtelėjus, jis gali judėti. Sureguliuokite aukščio reguliavimo varžtus.</li> <li>Nelygios arba netvirtos grindys. Grindys turi būti lygios ir pakankamai tvirtos, kad išlaikytų šaldytuvą.</li> </ul>
Užstringa stalčiai.
<ul style="list-style-type: none"> <li>Gali būti, kad maisto produktai liečia stalčiaus stogą. Pertvarkykite stalčiuje esančius maisto produktus.</li> </ul>

## Прочитајте го ова упатство прво!

Почитуван кориснику,

Се надеваме дека овој производ којшто е произведен во модерна фабрика и проверен според многу прецизни процедури за проверка на квалитетот, ќе ви овозможи ефективна услуга.




Затоа, препорачуваме внимателно да го прочитате целото упатство за производот пред употреба и да го чувате при рака за идни осврти.

### Ова упатство

- Ќе ви помогне да го користите апаратот на брз и безбеден начин.
- Прочитајте го упатството пред да го поставите и вклучите производот.
- Следете ги упатствата, особено оние за безбедноста.
- Чувајте го упатството на лесно достапно место зашто може да ви притреба подоцна.
- Покрај тоа, прочитајте ги и другите документи што се доставуваат со производот. Имајте предвид дека ова упатство важи и за други модели.

### Симболи и нивно значење

Ова упатство со инструкции ги содржи следниве симболи:

-  Важни информации или корисни совети за употреба.
-  Предупредувања за опасни состојби по животот и имотот.
-  Предупредување за електричниот напон.



## **ПРЕДУПРЕДУВАЊЕ!**

Со цел да се обезбеди нормално функционирање на уредот, кој користи целосно еколошки разладувач (фреон) R 600a (запалив само под одредени услови), морате да се придржувате кон следните правила:

- Немојте да ја попречувате слободната циркулација на воздухот околу уредот.
- Немојте да употребувате механички предмети за да го забрзате процесот на одмрзнување. Користете ги само оние кои се препорачани од производителот.
- Немојте да го оштетувате разладното коло.
- Не употребувајте електрични апарати внатре во уредот. Користете ги само оние кои се препорачани од производителот.

### Рециклирање



Овој производ се испорачува со симболот за селективно за сортирање отпад од електрична и електронска опрема (WEEE).

Тоа значи дека овој производ мора да се постапува во согласност со Европската директива 2002/96/ЕС со цел да се рециклира или затворена за да се минимизира неговото влијание врз околината. За повеќе информации, ве молиме контактирајте го вашиот локален или регионален органи.

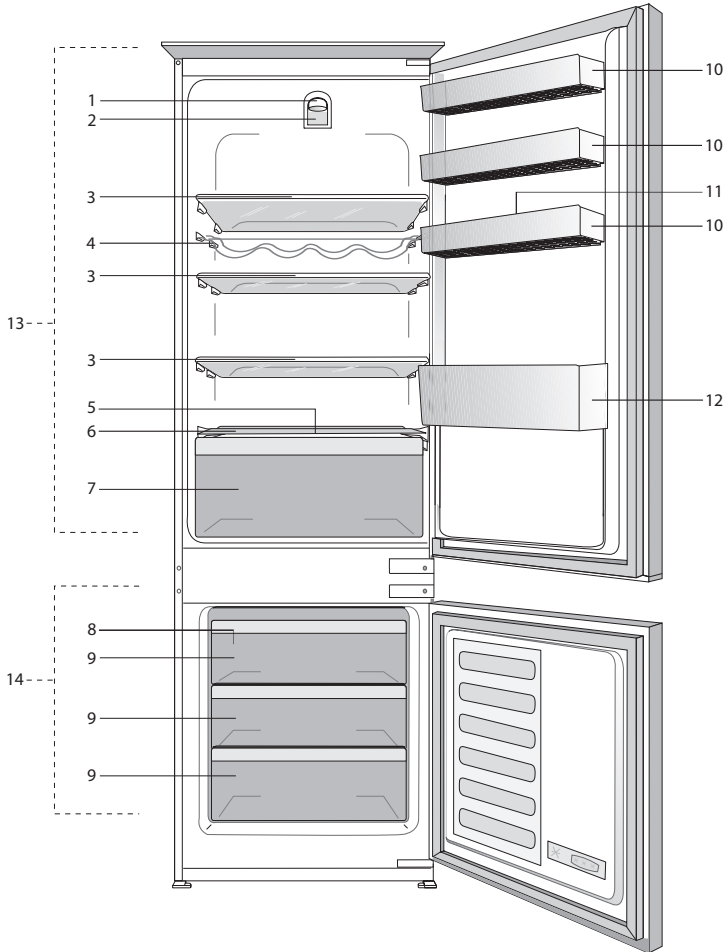
Електронски производи кои не се вклучени во процесот на селективно сортирање се потенцијално опасни за животната средина и здравјето на луѓето се должи на присуството на опасни материи.

## СОДРЖИНА

---

<b>1 Вашиот ладилник</b>	<b>3</b>	<b>4 Подготовка</b>	<b>8</b>
		Преместување на вратите .....	9
<b>2 Важни безбедносни предупредувања</b>	<b>4</b>	<b>5 Употреба на ладилникот</b>	<b>10</b>
Наменета употреба .....	4	Регулатор за поставување на температурата.....	10
Општа безбедност .....	4	Одмрзнување .....	10
Кај производи со диспензер за вода ....	6		
Безбедност за деца .....	6	<b>6 Одржување и чистење</b>	<b>11</b>
НСА-Предупредување .....	6	Заштита на пластичните површини.....	11
Работи што треба да ги направите за штедење енергија .....	6		
<b>3 Поставување</b>	<b>7</b>	<b>7 Препорачани решенија за проблемите</b>	<b>12</b>
Работи што треба да се имаат во предвид кога го транспортирате ладилникот .....	7		
Пред вклучување на ладилникот.....	7		
Електрично поврзување .....	7		
Фрлање на пакувањето .....	7		
Фрлање на стариот ладилник .....	8		
Поставување и поврзување .....	8		
Замена на внатрешната светилка за осветлување .....	8		

# 1 Вашиот ладилник



1. Регулатор за поставување на А температурата
2. Внатрешна светилка
3. Прилагодливи полици
4. Потпора за шишиња со вино
5. Канал за собирање на одмрзнатата вода - цевка за испуштање
6. Капак на кутијата за чување зеленчук
7. Кутија за чување зеленчук

8. Потпора за садот за мраз и сад за мраз
9. Полица
10. Прилагодливи полици на вратата
- F1. Тацна за јајца
- F2. Полица за шишиња
- F3. Оддел на ладилникот
- F4. Оддел на замрзнувачот

**i** Сликите што се прикажани во ова упатство за употреба се шематски и може да не соодветствуваат точно со производот. Ако деловите од поглавјето не се вклучени во производот што сте го купиле, тогаш тие важат за други модели.

## 2 Важни безбедносни предупредувања

Прочитајте ги следните информации. Непочитувањето на овие информации може да предизвика повреда или материјална штета. И гаранцијата и заложбите за доверливост нема да бидат важечки.

Оригиналните резервни делови ќе ги добивате 10 години по датумот кога е набавен производот.

### Наменета употреба

Овој производ е наменет да се користи:

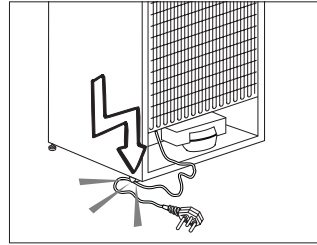
- во затворени простории како што се домови,
- во затворени работни средини како што се продавници и канцеларии,
- во затворени простории за сместување како што се објекти на селскиот туризам, хотели, пансиони.
- Овој производ не смее да се користи на отворено.

### Општа безбедност

- Ви препорачуваме да се консултирате со локалниот авторизиран сервис и со овластените институции за да ги добиете неопходните информации кога ќе сакате да го фрлите /одложите производот.
- Консултирајте се со овластен сервис за сите прашања и проблеми поврзани со ладилникот. Не интервенирајте ниту не пуштајте друг да интервенира на ладилникот без да го известите овластениот сервисер.
- За производите од одделот на замрзнувачот. Не јадејте сладолед во корнет или коцки мраз веднаш по вадење од одделот за замрзнување! (Може да предизвикате смрзнатини на устата.)
- За производите во одделот на замрзнувачот - Не ставајте пијалаци во шише или конзерва во одделот на замрзнувачот. Инаку, тие може да пукнат.
- Не допирајте ја замрзната храна со рака, може да ви се залепи за раката.

- Исклучете го ладилникот од струја пред чистење или одмрзнување.
- Испарувачи и материјали за чистење што испаруваат не смее никогаш да се користат за чистење и за процесот на одмрзнување на ладилникот. Во тие случаи, испарувањето може да дојде во контакт со електричните делови и да предизвика краток спој или електричен удар.
- Никогаш не користете делови од ладилникот како што е вратата за потпора или расчекор.
- Не користете електрични уреди во внатрешноста на ладилникот.
- Не штетувајте ги деловите каде што циркулира фреонот со дупчалки или алатки за сечење. Фреонот може да прсне и може да предизвика иритација на кожата и повреда на очите кога ќе се дупнат каналите за испарувањата, продолжетеците на цевките или површинските премази.
- Не покривајте ги или не блокирајте ги отворите за вентилација на ладилникот со каков било материјал.
- Електричните делови мора да ги поправи само овластено лице. Поправките што ги извршиле некомпетентни лица може да предизвикаат ризик за корисникот.
- Во случај на грешка при работа или во текот на одржување или поправка, исклучете го ладилникот од довод на ел. енергија со тоа што ќе го извадите соодветниот осигурувач или ќе го извлечете кабелот.
- Не влечете го кабелот кога го вадите приклучокот.
- Поставете ги пијалациите со повисоки затворувачи вертикално и убаво затворени.
- Никогаш не чувајте конзерви под притисок што содржат запаливи и експлозивни супстанции во ладилникот.
- Не користете механички уреди или други средства за забрзување на процесот на одмрзнување, освен оние што ги препорачува производителот.

- Овој производ не е наменет да го користат лица со намалени физички, сетилни или ментални способности или необучени или неискусни лица (вклучително и деца), освен ако не се под надзор на лице кое е одговорно за нивната безбедност или кое ќе ги научи како да го користат производот правилно.
- Не вклучувајте оштетен ладилник. Консултирајте се со сервисер ако се сомневате на дефект.
- Електричната безбедност на ладилникот е гарантирана само кога системот за заземјување во домот е усогласен со стандардите.
- Изложување на производот на дожд, снег, сонце и ветер е опасно во однос на електричната безбедност.
- Контакттирајте овластен сервисер кога е оштетен кабелот за струја за да избегнете опасност.
- Никогаш не вклучувајте го ладилникот на сиден приклучок за време на поставувањето. Инаку, може да има ризик од смрт или сериозна повреда.
- Овој ладилник е наменет само за чување на храна. Не смее да се користи за други намени.
- Етикетата со техничките спецификации се наоѓа на левиот сид во ладилникот.
- Никогаш не поврзувајте го ладилникот за системи за штедење струја. Може да го оштетат ладилникот.
- Ако има сина светилка на ладилникот, не гледајте во неа со оптички уреди.
- Почекајте најмалку 5 минути за да го вклучите ладилникот откако снемало струја кај ладилниците што се контролираат рачно.
- Ова упатство за работа треба да се предаде на новиот сопственик на производот ако го дадете на други.
- Избегнувајте да предизвикувате оштетувања на кабелот за напојување кога го транспортирате ладилникот. Превитканиот кабел може да предизвика пожар. Никогаш не ставајте тешки предмети врз кабелот за струја. Не допирајте го приклучокот со мокри раце кога го приклучувате производот.



- Не приклучувајте го ладилникот ако штекерот е разлабавен.
- Вода не смее да се прска директно на внатрешните и надворешните делови на производот од безбедносни причини.
- Не прскајте разни средства што содржат запаливи гасови како што е пропанот близу до ладилникот за да избегнете ризик од пожар и експлозија.
- Никогаш не ставајте садови со вода врз ладилникот. Во спротивно, може да предизвикаат електричен удар или пожар.
- Не преполнувајте го ладилникот со прекумерна количина храна. Ако го преполните, храната може да падне и да ве повреди и да го оштети ладилникот кога ја отворате вратата. Никогаш не ставајте предмети врз ладилникот. Во спротивно, овие предмети може да паднат кога ја отворате или затворате вратата на ладилникот.
- Вакцините, лековите што се осетливи на топлина, истражувачките материјали и слично не смее да се чуваат во ладилникот бидејќи бараат прецизна температура.
- Ладилникот треба да се исклучи од струја ако не се користи долго време. Можен проблем со кабелот може да предизвика пожар.
- Клемите на приклучокот треба да се чистат редовно. Во спротивно, може да предизвикаат пожар.
- Клемите на приклучокот треба да се чистат редовно со сува крпа. Во спротивно, може да предизвикаат пожар.
- Ладилникот може да се мрда ако прилагодливите ногарки не се правилно поставени на подот. Ладилникот нема да се мрда со правилно обезбедување на прилагодливите ногарки на подот.

- Не држете го ладилникот за рачката на вратата кога го транспортирате. Во спротивно, може да се скрши.
- Кога треба да го поставите производот до друг ладилник или замрзнувач, растојанието меѓу нив треба да биде најмалку 8 цм. Во спротивно, соседните сидови може да фатат влага.

## Кај производи со диспензер за вода

- Притисокот на доводот на водата мора да биде минимум 1 бар. Притисокот на доводот на водата мора да биде максимум 8 бари.
- Користете само вода за пиење.

## Безбедност за деца

- Ако вратата има брава, клучот треба да се чува далеку од дофатот на децата.
- Децата мора да се надгледуваат за да се спречи тие да си играат со ладилникот.

## НСА-Предупредување

### Ако системот за разладување на производот содржи R600a:

Овој гас е запалив. Затоа треба са се обрне внимание да не се оштетуваат системот за ладење и цевководите при употреба и транспорт. Во случај на оштетување, чувајте го производот настрана од можни извори на оган што може да предизвикаат негово палење и вентилирајте ја просторијата каде што е сместен.

### Игнорирајте го ова предупредување ако системот за ладење на производот содржи R134a.

Типот на гас што се користи во производот е посочен на плочката на левиот сид во ладилникот. Никогаш не фрлајте го производот во оган.

## Работи што треба да ги направите за штедење енергија

- Не држете ги вратите на ладилникот отворени подолг период.
- Не ставајте топли пијалаци или храна во ладилникот.
- Не преоптоварувајте го ладилникот со што ќе се попречи циркулацијата на воздухот во внатрешноста.
- Не поставувајте го ладилникот под директна сончева светлина или близу до уреди што зрачат топлина како што се печка, машина за миење садови или радијатори.
- Внимавајте храната да ја чувате во затворени садови.
- За производи со оддел за замрзнување - Може да чувате максимална количина храна во замрзнувачот ако ја извадите полицата или фиоката од замрзнувачот. Посочената вредност за потрошувачката на струја за ладилникот е одредена со извадени полица или фиоки и под максимално оптоварување. Нема штета ако се користи полица или фиока во согласност со облиците или големината на храната што треба да се замрзне.
- Ако ја одмрзнувате замрзната храна во одделот на ладилникот, ќе заштедите струја и ќе го зачувате квалитетот на храната.

### 3 Поставување

⚠ Имајте предвид дека производителот нема да биде одговорен ако не се почитуваат информациите коишто се дадени во упатството за работа.

#### Работи што треба да се имаат во предвид кога го транспортирате ладилникот

1. Ладилникот мора да се испразни и исчисти пред каков било транспорт.
2. Полиците, дополнителната опрема, фиоките и сл. во ладилникот мора безбедно да се зацврстат со лента за лепење за да се спречи нишање пред повторно пакување.
3. Пакувањето мора да се зацврсти со дебели ленти и цврсти јажиња, а правилата што се отпечатени на пакувањето мора да се почитуваат.

#### Не заборавајте...

Секој рециклирачки материјал е неопходен извор за природата и за нашите природни ресурси. Ако сакате да придонесете при рециклирање на материјалите за пакување, може да добиете повеќе информации од овластените лица за животна средина или од локалната власт.

#### Пред вклучување на ладилникот

Пред да почнете да го употребувате ладилникот, проверете го следново:

1. Дали е внатрешноста на ладилникот сува и дали може воздухот да циркулира слободно од задната страна?
2. Исчистете ја внатрешноста на ладилникот како што е препорачано во поглавјето „Одржување и чистење“.
3. Вклучете во ладилникот во приклучок за струја. Кога вратата ќе се отвори, соодветното внатрешно осветлување на ладилникот ќе се вклучи.

4. Ќе слушнете бучава кога ќе се вклучи компресорот. Течноста и гасовите затворени во системот на ладилникот ја зголемуваат бучавата, без оглед дали компресорот е вклучен или не, тоа е сосема нормално.
5. Предните рабови на ладилникот може да се малку топли. Тоа е сосема нормално. Овие области се дизајнирани да бидат топли за да се спречи кондензација.

#### Електрично поврзување

Поврзете го производот во заземјен штекер што е заштитен со осигурувач со соодветен капацитет. Важно:

- Поврзувањето мора да биде усогласено со државните регулативи.
- Приклучокот на кабелот за напојување мора да биде лесно достапен по приклучувањето.
- Посочениот напон мора да биде еднаков на напонот на напојувањето.
- Не смее да се користат продолжни кабли и приклучоци со повеќе влезови.

⚠ Квалификуван електричар мора да го замени оштетениот кабел за напојување.

⚠ Производот не смее да работи пред да се поправи! Постои ризик од електричен удар!

#### Фрлање на пакувањето

Материјалот за пакување е опасен за децата. Чувајте го материјалот за пакување подалеку од дофат на децата или фрлете го класифицирајќи го во согласност со упатствата за фрлање отпад. Не фрлајте го заедно со редовниот домашен отпад. Пакувањето на ладилникот е произведено од рециклирачки материјали.



## Фрлање на стариот ладилник

Фрлете го стариот ладилник без да направите штета за животната средина.

- Консултирајте се со овластениот застапник или со центар за собирање отпад во вашата општина за тоа како да го фрлите ладилникот.

Пред да го фрлите ладилникот, исечете го кабелот за напојување и, ако има брави на вратата, искршете ги за да ги заштитите децата од каква било опасност.

## Поставување и поврзување

△ Ако влезната врата на просторијата каде што треба да се смести ладилникот не е доволно широка за да може тој да помине, тогаш повикајте го овластениот сервис да ги извади вратите на ладилникот и тогаш, поминете го ладилникот низ вратата странично.

ЕПоставете го ладилникот на место.кое овозможува лесна употреба.

ГПоставете го ладилникот подалекуод извори на топлина, влажни местаили директна сончева светлина.

НМора да има соодветна воздушнаА вентилација околу ладилникот со целда се постигне ефикасна работа. АкоАладилникот треба да се постави воАвдлабнатина во сидот, тогаш мора даАима најмалку 5 цм. растојание одАаванот и најмалку 5 цм од сидот. АкоАна подот има килим, ладилникот морада е подигнат од подот за 2,5 цм.

I Поставете го ладилникот на рамниА подови за да се спречи нишање.

Í Не чувајте го ладилникот во простории со амбиенталнаАтемпература под 10°C.

## Замена на внатрешната светилка за осветлување

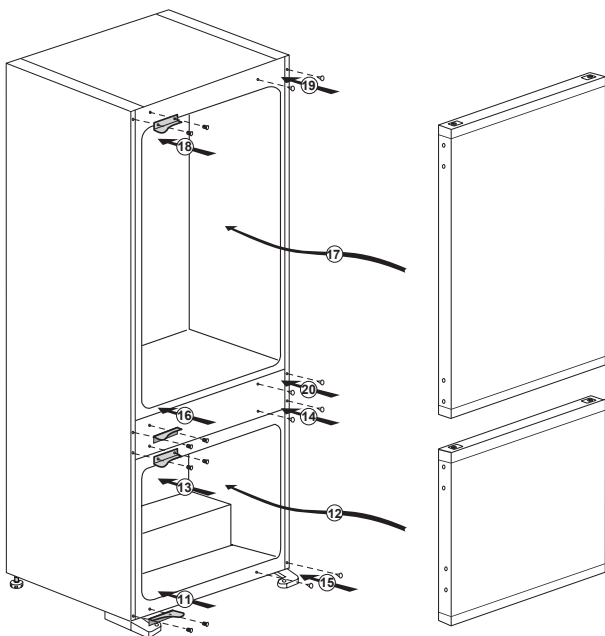
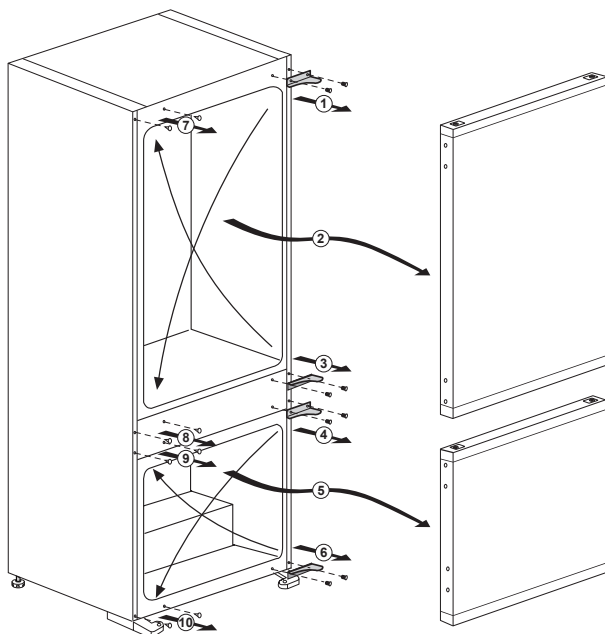
Повикајте овластен сервисер за да ја смените светилката што служи за осветлување на ладилникот. Сијалицата што се користи во овој уред не служи за осветлување на соби во домот. Намената на сијалицата е да му помогне на корисникот да ја стави храната во фрижидерот безбедно и удобно. Сијалиците што се користат во овој производ треба да ги издржуваат екстремните физички услови, како што се температурите под -20°C.

## 4 Подготовка

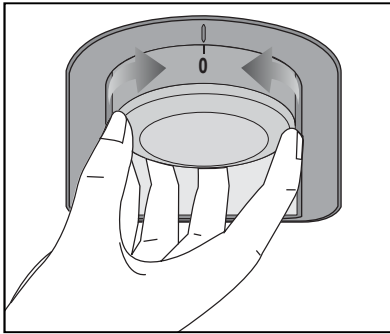
- и Ладилникот треба да се постави на најмалку 30 цм. оддалеченост од извори на топлина, како што се шпорети, рерни, централно греење и печки и на најмалку 5 цм. оддалеченост од електрични печки и не смее да се изложува на директна сончева светлина.
- и Амбиенталната температура во просторијата каде што ќе го поставите ладилникот мора да биде најмалку 10°C. Не се препорачува работа на ладилникот под уреди за ладење затоа што ја попречува неговата ефикасност.
- и Исчистете ја внатрешноста на ладилникот темелно.
- и Ако треба да се постават два ладилника еден до друг, тогаш треба да има најмалку 2 цм. растојание меѓу нив.
- и Кога ќе го вклучите ладилникот за првпат, почитувајте ги следните упатства во текот на првите шест часа.
  - Врата не треба да се отвора често.
  - Мора да се вклучи празен, без храна во него.
  - Не исклучувајте го ладилникот од струја. Ако снема струја, видете ги предупредувањата во поглавјето „Препорачани решенија за проблемите“.
- и Оригинаалното пакување и материјалите од пена треба да се чуваат за евентуален иден транспорт или преместување.

## Преместување на вратите

Постапете по нумеричкиот редослед.



## 5 Употреба на ладилникот



### Регулатор за поставување на температурата

Внатрешната температура на ладилникот се менува од следните причини:

- Сезонски температури.
- Често отворање на врата со тоа што се остава отворена подолго време.
- Храната што се става во ладилникот не е изладена на собна температура.
- Локацијата на ладилникот во просторијата (на пр. изложеност на сончева светлина).
- Може да ја прилагодувате променливата внатрешна температура од различни причини со помош на термостатот. Броевите околу копчето термостатот ги прикажуваат степените за ладење.
- Свртете го копчето на термостатот на максималната позиција ако амбиенталната температура е повисока од 32°C.
- Свртете го копчето на термостатот на минималната позиција ако амбиенталната температура е пониска од 25°C.

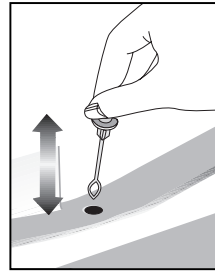
### Одмрзнување

#### А) Оддел на ладилникот

Одделот на ладилникот извршува целосно автоматизирано одмрзнување.

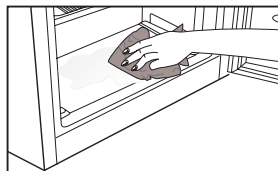
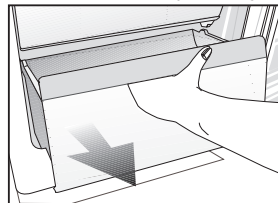
Водата капе и може да се појави мраз од 7-8 мм. на внатрешниот заден ѕид во ладилникот кога тој лади. Таквите формации се нормални како резултат на системот за разладување. Формацијата на мраз ќе се одмрзне автоматски на одредени интервали благодарение на системот за автоматизирано одмрзнување на задниот ѕид. Нема потреба од гребење на мразот или од собирање на водените капки. Водата што е производ на одмрзнувањето минува нив одводот за собирање вода и истекува во испарувачот преку одводната цевка и тука испарува.

Проверувајте ја редовно одводната цевка за да видите дали е запушена или не и исчистете ја со стапче во отворот ако е неопходно.



#### Б) Оддел на замрзнувачот

Одделот за длабоко замрзнување не извршува автоматизирано одмрзнување за да се спречи расипување на замрзнатата храна. Одмрзнувањето е многу лесно и без растурање благодарение на специјалниот сад за собирање на одмрзната вода. Одмрзнувајте двапати годишно или кога ќе се формира слој од мраз од околу 7 мм (1/4 инчи). За да ја започнете постапката на одмрзнување, исклучете го напојувањето и извадете го приклучокот. Сета храна треба да се завитка во неколку слоја весници и да се стави на ладно место (на пр. ладилник или шпајз). Садови со топла вода може да се стават во замрзнувачот за да се забрза одмрзнувањето. Не користете остри предмети како ножеви и виљушки за да го извадите мразот. Не користете никогаш фен за коса, електрични греалки или други слични апарати за одмрзнување. Соберете ја одмрзнатата вода на дното од одделот на замрзнувачот со сунѓер. По одмрзнување, исушете ја внатрешноста темелно. Ставете го приклучокот во штекер и пуштете ја струјата.



## 6 Одржување и чистење

- ⚠ Никогаш не користете бензин, нафта или слични средства за чистење.
- ⚠ Препорачуваме да го исклучите апаратот пред чистење.
- ℹ Никогаш не користете груби абразивни инструменти, сапун, домашни средства за чистење, детергент и средство за полирање за чистење.
- ℹ Користете топла вода за чистење на внатрешноста на апаратот и избришете за да се исуши.
- ℹ Користете влажна и добро исцедена крпа потопена во раствор од една лажичка сода бикарбонат и една чаша вода за чистење на внатрешноста, а потоа избришете за да се исуши.
- ⚠ Внимавајте да не навлезе вода во кукиштето на осветлувањето или во другите електрични делови.
- ⚠ Ако апаратот нема да се користи подолго време, исклучете го, извадете ја храната, исчистете го и оставате ја вратата полуотворена.
- ℹ Проверувајте ја редовно гумата на вратата која треба да биде чиста и без остатоци од храна.
- ℹ За да ги извадите полиците на вратата, извадете ја целата содржина и потоа едноставно притиснете ја полицата нагоре од лежиштето.

- ℹ Никогаш не користете средства за чистење или вода што содржат хлор за да ги исчистите надворешните површини и деловите обложени со хром на производот. Хлорот предизвикува корозија на таквите метални површини.

### Заштита на пластичните површини

- ℹ Не ставајте течни масла или храна зготвена со масло во незатворени садови во ладилникот бидејќи тие може да ги оштетат пластичните површини на ладилникот. Во случај на истурање или размачкување масло врз пластичните површини, исчистете го и исплакнете го дадениот дел на површината веднаш со топла вода.

## 7 Препорачани решенија за проблемите

Прочитајте го овој список пред да повикате сервис. Ќе ви заштеди време и пари. Овој список ги опфаќа честите поплаки што не произлегуваат од неправилна работа или употреба на материјали. Некои од одликите што се опишани тука веројатно не постојат кај вашиот производ.

### Ладилникот не работи.

- Дали ладилникот е правилно приклучен? Приклучете го во штекер.
- Дали осигурувачот на приклучокот на којшто е поврзан ладилникот или главниот осигурувач се прегорени? Проверете го осигурувачот.

### Се јавува кондензација на страничните ѕидови во одделот на ладилникот (ПОВЕЌЕНАМЕНСКА ЗОНА, КОНТРОЛА НА ЛАДЕЊЕТО И ФЛЕКСИБИЛНА ЗОНА).

- Многу студени амбиентални услови. Често отворање и затворање на вратата. Амбиентални услови со многу влага. Складирана храна што содржи течност во отворени ѕидови. Вратата е оставена подотворена. Префрлете го термостатот на поладен степен.
- Намалете го времето за оставена отворена врата или користете ја поретко.
- Затворете ја храната што ја чувате во отворени ѕидови со соодветен материјал.
- Избришете ја кондензацијата со сува крпа и проверете дали повторно ќе се појави.

### Компресорот не се вклучува.

- Заштитната термика на компресорот ќе престане да работи при ненадеен прекин на ел. енергија или ќе го прекине ел. напојување бидејќи притисокот на ладилникот во системот за ладење сè уште не е избалансиран. Ладилникот ќе продолжи со работа по приближно 6 минути. Повикајте го сервисот ако ладилникот не се вклучи по истекување на овој период.
- Ладилникот е во циклус на одмрзнување. Ова е нормално за целосно автоматизиран процес на одмрзнување кај ладилникот. Циклусот на одмрзнување започнува периодично.
- Ладилникот не е приклучен во штекер. Проверете дали приклучокот е правилно поставен во штекерот.
- Дали прилагодувањето на температурата е правилно направено?
- Можеби нема струја.

<p>Ладилникот често или долго работи.</p> <ul style="list-style-type: none"> <li>• Новиот ладилник веројатно е поширок од претходниот. Тоа е сосема нормално. Големите ладилници работат подолг период.</li> <li>• Амбиенталната температура во просторијата е висока. Тоа е сосема нормално.</li> <li>• Ладилникот веројатно е приклучен неодамна или можеби е преоптоварен со храна. Комплетното разладување на ладилникот може да потрае неколку часа подолго.</li> <li>• Веројатно е ставена голема количина врела храна во ладилникот неодамна. Врелата храна предизвикува подолг период на работа на ладилникот сè додека не се постигне безбедна температура на складирање.</li> <li>• Вратите веројатно биле често отворани или оставени подотворени долг период. Топлиот воздух што навлегол во ладилникот предизвикува тој да работи подолг период. Отворајте ги вратите поретко.</li> <li>• Вратите на одделите на ладилникот или замрзнувачот веројатно биле оставени подотворени. Проверете дали вратите се добро затворени.</li> <li>• Ладилникот е прилагоден на многу ниска температура. Прилагодете ја температурата во ладилникот на повисок степен и почекајте додека не се постигне температурата.</li> <li>• Гумата на вратата од ладилникот или замрзнувачот е нечиста, истрошена, искината или не е правилно поставена. Исчистете ја или заменете ја гумата. Оштетена / искината гума предизвикува ладилникот да работи подолг период за да ја одржува тековната температура.</li> </ul>
<p>Температурата во замрзнувачот е многу ниска додека температурата во ладилникот е задоволителна.</p> <ul style="list-style-type: none"> <li>• Температурата во замрзнувачот е прилагодена на многу ниска температура. Прилагодете ја температурата во замрзнувачот на повисок степен и проверете.</li> </ul>
<p>Температурата во ладилникот е многу ниска додека температурата во замрзнувачот е задоволителна.</p> <ul style="list-style-type: none"> <li>• Температурата во ладилникот е прилагодена на многу ниска температура. Прилагодете ја температурата во ладилникот на повисок степен и проверете.</li> </ul>
<p>Храната што се чува во фиоките на ладилникот се замрзнува.</p> <ul style="list-style-type: none"> <li>• Температурата во ладилникот е прилагодена на многу ниска температура. Прилагодете ја температурата во ладилникот на повисок степен и проверете.</li> </ul>
<p>Температурата во ладилникот или замрзнувачот е многу висока.</p> <ul style="list-style-type: none"> <li>• Температурата во ладилникот е прилагодена на многу висок степен. Прилагодувањето во ладилникот влијае врз температурата во замрзнувачот. Сменете ја температурата во ладилникот или замрзнувачот додека истата не постигне задоволително ниво.</li> <li>• Вратите веројатно биле често отворани или оставени подотворени долг период. Отворајте ги поретко.</li> <li>• Вратата била оставена подотворена. Затворете ја вратата убаво.</li> <li>• Веројатно е ставена голема количина врела храна во ладилникот неодамна. Почекајте додека ладилникот или замрзнувачот не ја постигнат саканата температура.</li> <li>• Ладилникот веројатно бил приклучен неодамна. Целосно разладување на ладилникот трае подолго.</li> </ul>

<b>Бучавата при работа се зголемува кога работи ладилникот.</b>
<ul style="list-style-type: none"> <li>• Работата на ладилникот се менува соодветно со промените во амбиенталната температура. Тоа е нормално и не е грешка.</li> </ul>
<b>Вибрации или бучава.</b>
<ul style="list-style-type: none"> <li>• Подот не е рамен или е многу слаб. Ладилникот се ниша кога ќе се помести малку. Проверете дали подот е доволно цврст и може да го држи ладилникот и дали е рамен.</li> <li>• Бучавата може да се предизвикува и од работите што се ставени врз ладилникот. Тие предмети треба да се тргнат од ладилникот.</li> </ul>
<b>Има бучава што доаѓа од ладилникот и наликува на истурање вода или шиштење.</b>
<ul style="list-style-type: none"> <li>• Течните и гасните звуци се случуваат заради работните принципи на ладилникот. Тоа е нормално и не е грешка.</li> </ul>
<b>Има бучава како да дува ветер.</b>
<ul style="list-style-type: none"> <li>• Се користат вентилатори за да може да се излади ладилникот. Тоа е нормално и не е грешка.</li> </ul>
<b>Има кондензација на внатрешните ѕидови на ладилникот.</b>
<ul style="list-style-type: none"> <li>• Врела и влажна клима го зголемува создавањето мраз и кондензација. Тоа е нормално и не е грешка.</li> <li>• Вратите биле оставени подотворени. Проверувајте дали вратите се затворени убаво.</li> <li>• Вратите веројатно биле често отворани или оставени подотворени долг период. Отворајте ги поретко.</li> </ul>
<b>Влага се појавува на надворешноста на ладилникот или меѓу вратите.</b>
<ul style="list-style-type: none"> <li>• Веројатно има влажност во воздухот. Ова е сосема нормално во временски услови со влага. Кога ќе се намали влагата, ќе исчезне и кондензацијата.</li> </ul>
<b>Има лоша миризма во ладилникот.</b>
<ul style="list-style-type: none"> <li>• Внатрешноста на ладилникот мора да се исчисти. Исчистете ја внатрешноста на ладилникот со сунѓер, топла вода или карбонизирана вода.</li> <li>• Некои садови или материјали за пакување веројатно го предизвикуваат мирисот. Употребете друг сад или материјал за пакување од друг производител.</li> </ul>
<b>Вратата не се затвора.</b>
<ul style="list-style-type: none"> <li>• Спакуваната храна може да го попречува затворањето на вратите. Преместете ја спакуваната храна што ја попречува вратата.</li> <li>• Ладилникот не е поставен целосно вертикално на подот и се ниша кога малку ќе се потурне. Прилагодете ги шрафовите за подигнување.</li> <li>• Подот не е рамен или цврст. Проверете дали подот е рамен и може да го држи ладилникот.</li> </ul>
<b>Фиоките се заглавени.</b>
<ul style="list-style-type: none"> <li>• Храната веројатно го допира плафонот на фиоката. Прераспределете ја храната во фиоката.</li> </ul>



[www.beko.com](http://www.beko.com)

4578336318/AF  
EN,IT,BG,SL,LV,LT,MK