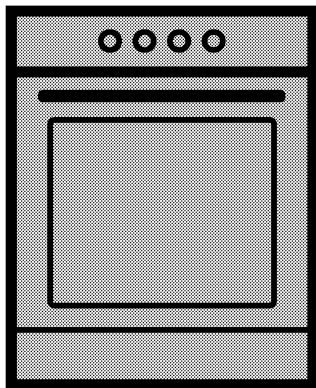


# Oven

## User manual



FSS64010DW

**EN | BS | SB**

285.3033.70/R.AD/10.08.2018/3-1

## Please read this user manual first!

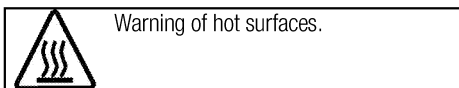
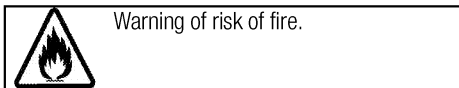
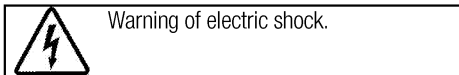
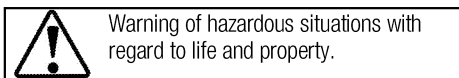
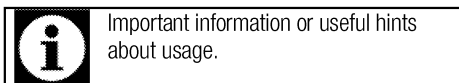
Dear Customer,

Thank you for purchasing this Beko product. We hope that you get the best results from your product which has been manufactured with high quality and state-of-the-art technology. Therefore, please read this entire user manual and all other accompanying documents carefully before using the product and keep it as a reference for future use. If you handover the product to someone else, give the user manual as well. Follow all warnings and information in the user manual.

Remember that this user manual is also applicable for several other models. Differences between models will be identified in the manual.

### Explanation of symbols

Throughout this user manual the following symbols are used:



**Arçelik A.Ş.**

Karaağaç caddesi No:2-6  
34445 Sütlüce/İstanbul/TURKEY

Made in TURKEY



This product was manufactured using the latest technology in environmentally friendly conditions.

## TABLE OF CONTENTS

### **1 Important instructions and warnings for safety and environment 4**

General safety .....	4
Safety when working with gas.....	4
Electrical safety .....	6
Product safety .....	7
Intended use .....	9
Safety for children.....	9
Disposing of the old product.....	10
Package information .....	10

### **2 General information 11**

Overview .....	11
Package contents .....	12
Technical specifications .....	13
Injector table .....	13

### **3 Installation 14**

Before installation .....	14
Installation and connection .....	15
Future Transportation.....	19

### **4 Preparation 20**

Tips for saving energy .....	20
Initial use.....	20
First cleaning of the appliance .....	20
Initial heating.....	20

### **5 How to use the hob 22**

General information about cooking .....	22
Using the hobs.....	22

### **6 How to operate the oven 24**

General information on baking, roasting and grilling.....	24
How to operate the electric oven .....	24
Operating modes.....	25
Cooking times table.....	25
How to operate the grill.....	26
Cooking times table for grilling.....	26

### **7 Maintenance and care 27**

General information.....	27
Cleaning the hob.....	27
Cleaning the control panel .....	27
Cleaning the oven .....	27
Removing the oven door .....	28
Removing the door inner glass .....	28
Replacing the oven lamp.....	29

### **8 Troubleshooting 30**

## **1 Important instructions and warnings for safety and environment**

This section contains safety instructions that will help protect from risk of personal injury or property damage. Failure to follow these instructions shall void any warranty.

### **General safety**

- This appliance can be used by children aged from 8 years and above and persons with reduced physical, sensory or mental capabilities or lack of experience and knowledge if they have been given supervision or instruction concerning use of the appliance in a safe way and understand the hazards involved.

Children shall not play with the appliance. Cleaning and user maintenance shall not be made by children without supervision.

- The appliance is not to be used by persons (including children) with reduced physical, sensory or mental capabilities, or lack of experience and knowledge, unless they have been given supervision or instruction. Children should be supervised and ensure they do not play with the appliance
- If the product is handed over to someone else for personal use or second-hand use purposes, the

user manual, product labels and other relevant documents and parts should be also given.

- Never place the product on a carpet-covered floor. Otherwise, lack of airflow beneath the product will cause electrical parts to overheat. This will cause problems with your product.
- Installation and repair procedures must always be performed by Authorised Service Agents. The manufacturer shall not be held responsible for damages arising from procedures carried out by unauthorised persons which may also void the warranty. Before installation, read the instructions carefully.
- Do not operate the product if it is defective or has any visible damage.
- Ensure that the product function knobs are switched off after every use.

### **Safety when working with gas**

- Any works on gas equipment and systems may only be carried out by authorised qualified persons who are Gas Safe registered.
- Prior to the installation, ensure that the local distribution conditions (nature of the gas and

- gas pressure) and the adjustment of the appliance are compatible.
- This appliance is not connected to a combustion products or evacuation device. It shall be installed and connected in accordance with current installation regulations. Particular attention shall be given to the relevant requirements regarding ventilation; See *Before installation, page 14*
  - The use of gas cooking appliance results in the production of heat and moisture in the room in which it is installed. Ensure that the kitchen is well ventilated: keep natural ventilation holes open or install a mechanical ventilation device (mechanical extractor hood). Prolonged intensive use of the appliance may call for additional ventilation, for example increasing the level of the mechanical ventilation where present.
  - Gas appliances and systems must be regularly checked for proper functioning. Regulator, hose and its clamp must be checked regularly and replaced within the periods recommended by its manufacturer or when necessary.
  - Clean the gas burners regularly. The flames should be blue and burn evenly.
  - This product should be used in a room which incorporates a properly adjusted and functioning Carbon Monoxide sensor. Make sure the Carbon Monoxide sensor works properly and is maintained frequently. Carbon Monoxide sensor should be installed maximum 2 meters away from the product.
  - Good combustion is required in gas appliances. In case of incomplete combustion, carbon monoxide (CO) might develop. Carbon monoxide is a colourless, odourless and very toxic gas, which has a lethal effect even in very small doses.
  - Request information about gas emergency telephone numbers and safety measures in case of gas smell from you local gas provider.

### **What to do when you smell gas**

- Do not use open flame or do not smoke. Do not operate any electrical buttons (e.g. lamp button, door bell and etc.) Do not use fixed or mobile phones. Risk of explosion and toxication!
- Open doors and windows.
- Turn off all valves on gas appliances and gas meter at the main control valve, unless it's in a confined space or cellar.

- Check all tubes and connections for tightness. If you still smell gas leave the property.
- Warn the neighbours.
- Call the fire-brigade. Use a telephone outside the house.
- Do not re-enter the property until you are told it is safe to do so.

### **Electrical safety**

- If the product has a failure, it should not be operated unless it is repaired by an Authorised Service Agent. There is the risk of electric shock!
- Only connect the product to a grounded outlet/line with the voltage and protection as specified in the “Technical specifications”. Have the grounding installation made by a qualified electrician while using the product with or without a transformer. Our company shall not be liable for any problems arising due to the product not being earthed in accordance with the local regulations.
- Never wash the product by spreading or pouring water onto it! There is the risk of electric shock!
- The product must be disconnected during installation, maintenance, cleaning and repairing procedures.
- If the power connection cable for the product is damaged, it must be replaced by the manufacturer, its service agent or similarly qualified persons in order to avoid a hazard.
- The appliance must be installed so that it can be completely disconnected from the mains supply. The separation must be provided by a switch built into the fixed electrical installation, according to construction regulations.
- Rear surface of the oven gets hot when it is in use. Make sure that the gas/electrical connection does not contact the rear surface; otherwise, connections can get damaged.
- Do not trap the mains cable between the oven door and frame and do not route it over hot surfaces. Otherwise, cable insulation may melt and cause fire as a result of short circuit.
- Any work on electrical equipment and systems should only be carried out by authorised and qualified persons.
- In case of any damage, switch off the product and disconnect it from the mains. To do this, turn off the fuse at home.
- Make sure that fuse rating is compatible with the product.

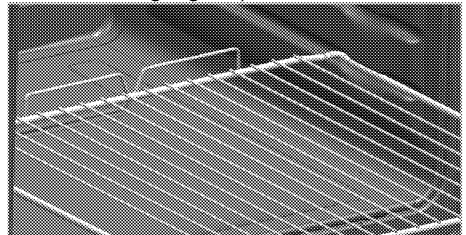
## Product safety

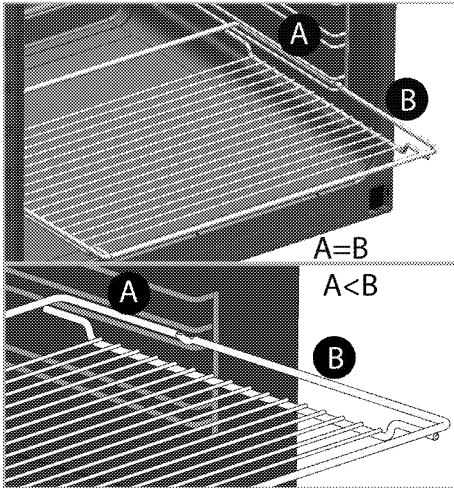
- **WARNING:** The appliance and its accessible parts become hot during use. Care should be taken to avoid touching heating elements. Children less than 8 years of age shall be kept away unless continuously supervised.
- Never use the product when your judgment or coordination is impaired by the use of alcohol and/or drugs.
- Be careful when using alcoholic drinks in your dishes. Alcohol evaporates at high temperatures and may cause fire since it can ignite when it comes into contact with hot surfaces.
- Food Poisoning Hazard: Do not let food sit in oven for more than 1 hour before or after cooking. Doing so can result in food poisoning or sickness.
- Do not place any flammable materials close to the product as the sides may become hot during use.
- During use the appliances becomes hot. Care should be taken to avoid touching heating elements inside the oven.
- Keep all ventilation slots clear of obstructions.
- Do not heat closed tins and glass jars in the oven. The pressure

that would build-up in the tin/jar may cause it to burst.

- Do not place baking trays, dishes or aluminium foil directly onto the bottom of the oven. The heat accumulation might damage the bottom of the oven.
- Do not use harsh abrasive cleaners or sharp metal scrapers to clean the oven door glass since they can scratch the surface, which may result in shattering of the glass.
- Do not use steam cleaners to clean the appliance as this may cause an electric shock.
- (Varies depending on the product model.)

Placing the wire shelf and tray onto the wire racks properly. It is important to place the wire shelf and/or tray onto the rack properly. Slide the wire shelf or tray between 2 rails and make sure that it is balanced before placing food on it (Please see the following figure).





- Do not use the product if the front door glass removed or cracked.
- Do not use the oven handle to hang towels for drying. Do not hang up towel, gloves, or similar textile products when the grill function is at open door.
- Always use heat resistant oven gloves when putting in or removing dishes into/from the hot oven.
- Place the baking paper into the cooking pot or on to the oven accessory (tray, wire grill etc) together with the food and then insert all into the preheated oven. Remove the excess parts of the baking paper overflowing from the accessory or the pot in order to prevent the risk of touching the oven's heating elements. Never use the baking paper in an operating temperature higher than the indicated value for the

baking paper. Do not place the baking paper directly on the base of the oven.

- **WARNING:** Ensure that the appliance is switched off before replacing the lamp to avoid the possibility of electric shock.
- The appliance must not be installed behind a decorative door in order to avoid overheating.
- Product must be placed directly on the floor. It must not be placed onto a base or a pedestal.
- **WARNING:** Unattended cooking on a hob with fat or oil can be dangerous and may result in fire. NEVER try to extinguish a fire with water, but switch off the appliance and then cover flame e.g. with a lid or a fire blanket.
- **CAUTION:** The cooking process has to be supervised. A short term cooking process has to be supervised continuously.
- **WARNING:** Danger of fire: Do not store items on the cooking surfaces.
- The appliance is not intended to be operated by means of an external timer or separate remote-control system.
- **WARNING:** Use only hob guards designed by the manufacturer of the cooking appliance or indicated by the manufacturer of the appliance in the instructions



for use as suitable or hob guards incorporated in the appliance. The use of inappropriate guards can cause accidents.

Prevention against possible fire risk!

- Ensure all electrical connections are secure and tight to prevent risk of arcing.
- Do not use damaged cables or extension cables.
- Ensure liquid or moisture is not accessible to the electrical connection point.
- To prevent gas leakage ensure that the gas connection is sound.

### **Intended use**

- This product is designed for domestic use. Commercial use will void the guarantee.
- This appliance is for cooking purposes only. It must not be used for other purposes, for example room heating.
- This product should not be used for warming the plates under the grill, drying towels, dish cloths etc. by hanging them on the oven door handles. This product should also not be used for room heating purposes.
- The manufacturer shall not be liable for any damage caused by improper use or handling errors.
- The oven can be used for defrosting, baking, roasting and grilling food.

### **Safety for children**

- **WARNING:** Accessible parts may become hot during use. Young children should be kept away.
- The packaging materials will be dangerous for children. Keep the packaging materials away from children. Please dispose of all parts of the packaging according to environmental standards.
- Electrical and/or gas products are dangerous to children. Keep children away from the product when it is operating and do not allow them to play with the product.
- Do not place any items above the appliance that children may reach for.
- When the door is open, do not load any heavy object on it and do not allow children to sit on it. It may overturn or door hinges may get damaged.

## Disposing of the old product

### Compliance with the WEEE Directive and Disposing of the Waste Product:



This product complies with EU WEEE Directive (2012/19/EU). This product bears a classification symbol for waste electrical and electronic equipment (WEEE).

This product has been manufactured with high quality parts and materials which can be reused and are suitable for recycling. Do not dispose of the waste product with normal domestic and other wastes at the end of its service life. Take it to the collection center for the recycling of electrical and electronic equipment.

Please consult your local authorities to learn about these collection centers.

### Compliance with RoHS Directive:

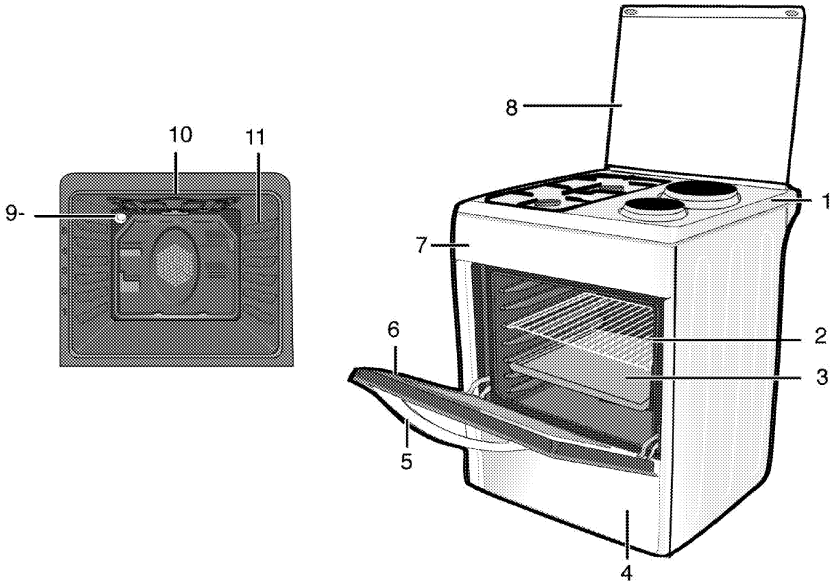
The product you have purchased complies with EU RoHS Directive (2011/65/EU). It does not contain harmful and prohibited materials specified in the Directive.

### Package information

- Packaging materials of the product are manufactured from recyclable materials in accordance with our National Environment Regulations. Do not dispose of the packaging materials together with the domestic or other wastes. Take them to the packaging material collection points designated by the local authorities.

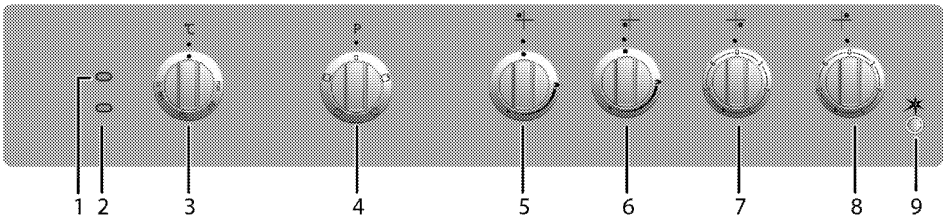
## 2 General information

### Overview



- 1 Burner plate
- 2 Wire shelf
- 3 Tray
- 4 Lower part
- 5 Handle
- 6 Front door

- 7 Control panel
- 8 Top lid
- 9 Lamp
- 10 Grill heating element
- 11 Shelf positions



- 1 Warning lamp
- 2 Thermostat lamp
- 3 Thermostat knob
- 4 Function knob
- 5 Rapid burner Rear left
- 6 Auxiliary burner Front left
- 7 Hotplate Front right
- 8 Hotplate Rear right
- 9 Ignition button

## Package contents

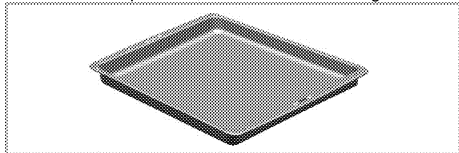


Accessories supplied can vary depending on the product model. Not every accessory described in the user manual may exist on your product.

1. **User manual**

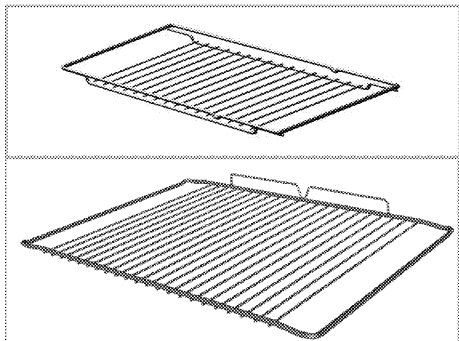
2. **Oven tray**

Used for pastries, frozen foods and big roasts.



3. **Wire Shelf**

Used for roasting and for placing the food to be baked, roasted or cooked in casserole dishes to the desired rack.

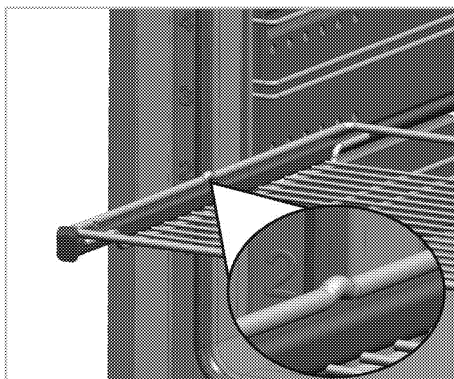
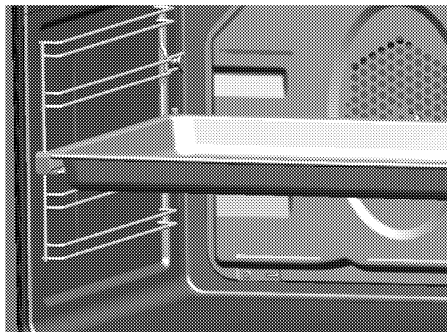


4. **Placing the wire shelf and tray onto the telescopic racks properly**  
(This feature is optional. It may not exist on your product.)

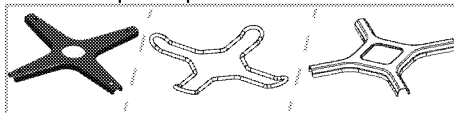
Telescopic racks allow you to install and remove the trays and wire shelf easily.

When using the tray and wire shelf with telescopic racks, make sure that the pins at the

rear section of the telescopic rack stands against the edges of the wire shelf and tray.



5. **Coffee pot adaptor**



Used for coffee pots.

## Technical specifications

<b>GENERAL</b>	
External dimensions (height / width / depth)	850 mm/600 mm/600 mm
Voltage / frequency	220-240 V ~ 50 Hz
Total power consumption	5.3 kW
Fuse	25 A
Cable type / section	min.H05W-FG 3 x 2,5 mm <sup>2</sup>
Category of gas product	II 2H3B/P
Gas type / pressure	NG G 20/20 mbar
Total gas consumption	3.9 kW
Converting the gas type / pressure <sup>§</sup>	LPG G 30/28-30 mbar
– optional	
<b>HOB</b>	
<b>Burners</b>	
Rear left	<b>Rapid burner</b>
Power	2.9 kW
Front left	<b>Auxiliary burner</b>
Power	1 kW
Front right	<b>Hotplate</b>
Dimension	145 mm
Power	1000 W
Rear right	<b>Hotplate</b>
Dimension	180 mm
Power	2000 W
<b>OVEN/GRILL</b>	
Main oven	<b>Conventional oven</b>
Inner lamp	15–25 W
Grill power consumption	2.2 kW

<sup>#</sup> Basics: Information on the energy label of electrical ovens is given in accordance with the EN 60350-1 / IEC 60350-1 standard. Those values are determined under standard load with bottom-top heater or fan assisted heating (if any) functions.

Energy efficiency class is determined in accordance with the following prioritization depending on whether the relevant functions exist on the product or not. 1-Cooking with eco-fan, 2- Turbo slow cooking, 3- Turbo cooking, 4- Fan assisted bottom/top heating, 5-Top and bottom heating.



Technical specifications may be changed without prior notice to improve the quality of the product.



Figures in this manual are schematic and may not exactly match your product.



Values stated on the product labels or in the documentation accompanying it are obtained in laboratory conditions in accordance with relevant standards. Depending on operational and environmental conditions of the product, these values may vary.

### Injector table

Position hob zone	2.9 kW Rear left	1 kW Front left
Gas type / Gas pressure		
G 20/20 mbar	115	72
G 30/28-30 mbar	87	50

### 3 Installation

Product must be installed by a qualified person in accordance with the regulations in force. The manufacturer shall not be held responsible for damages arising from procedures carried out by unauthorized persons which may also void the warranty.



Preparation of location and electrical and gas installation for the product is under customer's responsibility.



#### DANGER:

The product must be installed in accordance with all local gas and/or electrical regulations.



#### DANGER:

Prior to installation, visually check if the product has any defects on it. If so, do not have it installed.

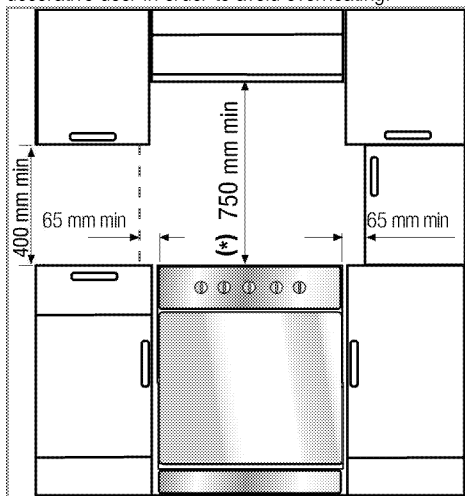
Damaged products cause risks for your safety.

### Before installation

To ensure that critical air gaps are maintained under the appliance, we recommend that this appliance is mounted on a solid base and that the feet do not sink into any carpet or soft flooring.

The kitchen floor must be able to carry the weight of the appliance plus the additional weight of cookware and bakeware and food.

If the range is placed on a base, measures have to be taken to prevent the appliance slipping from the base. The appliances must not be installed behind a decorative door in order to avoid overheating.

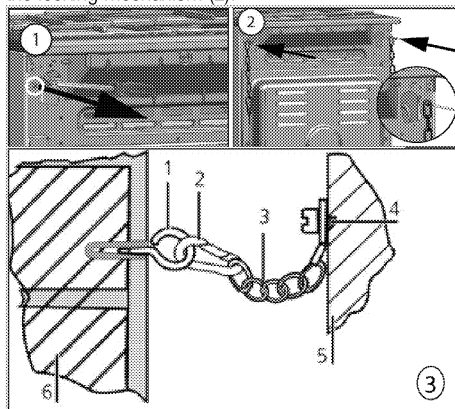


- It can be used with cabinets on either side but in order to have a minimum distance of 400mm above hotplate level allow a side clearance of 65mm between the appliance and any wall, partition or tall cupboard.
- It can also be used in a free standing position. Allow a minimum distance of 750 mm above the hob surface.
- (\*) If a cooker hood is to be installed above the cooker, refer to cooker hood manufacturer' instructions regarding installation height (min 650 mm).
- The appliance corresponds to device class 1, i.e. it may be placed with the rear and **one** side to kitchen walls, kitchen furniture or equipment of any size. The kitchen furniture or equipment on the **other** side may only be of the same size or smaller.
- Any kitchen furniture next to the appliance must be heat-resistant (100 °C min.).

### Safety chain

#### If your product has 2 safety chains;

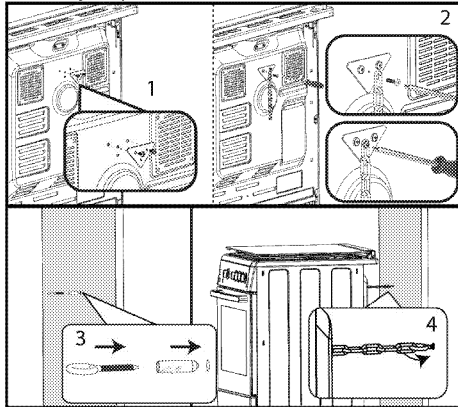
The appliance must be secured against overbalancing by using the supplied two safety chains on your oven. Fasten hook (1) by using a proper peg to the kitchen wall (6) and connect safety chain (3) to the hook via the locking mechanism (2).



- 1 Stability hook
- 2 Locking mechanism
- 3 Safety chain (supplied and mounted to oven)
- 4 Firmly fix chain to cooker rear
- 5 Rear of cooker
- 6 Kitchen wall

### If your product has 1 safety chain;

The appliance must be secured against overbalancing by using the supplied one safety chain on your oven. Follow below steps in the picture to secure the safety chain to your product.



**i** Stability chain to be as short as practicable to avoid oven tilting forward and diagonal to avoid oven side tilting.

Cooker stability chain for cookers is not designed with bracket engagement slot.

### Room ventilation

All rooms require an openable window, or equivalent, and some rooms will require a permanent vent as well. The air for combustion is taken from the room air and the exhaust gases are emitted directly into the room. Good ventilation is essential for safe operation of your appliance.

#### Rooms with doors and/or windows which open directly to the outer environment

The doors and/or windows that open directly to the outer environment must have a total ventilation opening of the dimensions specified in the table below which is based on the total gas power of the appliance (total gas power consumption of the appliance is shown in the technical specification table of this user manual). If the doors and/or windows do not have a total ventilation opening corresponding to the total gas consumption of the appliance as specified in the table below, then there must definitely be an additional fixed ventilation opening in the room to ensure that the total minimum ventilation requirements for the total gas consumption of the appliance is achieved. The fixed ventilation opening can include openings for existing airbricks, extraction hood ducting opening dimension etc.

Total gas consumption (kW)	min. Ventilation opening (cm <sup>2</sup> )
0-2	100
2-3	120
3-4	175
4-6	300
6-8	400
8-10	500
10-11.5	600
11.5-13	700
13-15.5	800
15.5-17	900
17-19	1000
19-24	1250

#### Rooms that do not have openable doors and/or windows that open directly to the outer environment

If the room where the appliance is installed does not have a door and/or a window that opens directly to the outer environment, other products shall be sought that definitely provide a fixed nonadjustable and non-closable ventilation opening which meets the total minimum ventilation opening requirements for the total gas consumption of the appliance as indicated in the above table. Also the appropriate building regulations advise should be followed.

Where a room or internal space contains more than one gas appliance, additional ventilation area shall be provided on top of the requirement given in the table above. Size of additional ventilation area shall be appropriate to regulations of other gas appliances. There should also be a minimum clearance of 10mm on the bottom edge of the door that opens to the inner environment in the room where the appliance is installed. You must ensure that items such as carpets and other floorcoverings etc., do not affect the clearance when the door is closed.

The cooker may be located in a kitchen, kitchen/diner or a bed-sitting room, but not in a room containing a bath or a shower. The cooker must not be installed in a bed-sitting room of less than 20m<sup>3</sup>.

Do not install this appliance in a room below ground level unless it is open to ground level on at least one side.

### Installation and connection

Product can only be installed and connected in accordance with the statutory installation rules.



Do not install the product next to refrigerators or freezers. The heat emitted by the product will increase the energy consumption of cooling appliances.

- Carry the product with at least two persons.
- Product must be placed directly on the floor. It must not be placed onto a base or a pedestal.



Do not use the door and/or handle to carry or move the product. The door, handle or hinges get damaged.

### Electrical connection

Connect the product to a grounded outlet/line protected by a miniature circuit breaker of suitable capacity as stated in the "Technical specifications" table. Have the grounding installation made by a qualified electrician while using the product with or without a transformer. Our company shall not be liable for any damages that will arise due to using the product without a grounding installation in accordance with the local regulations.



#### DANGER:

The product must be connected to the mains supply only by an authorised and qualified person. The product's warranty period starts only after correct installation. Manufacturer shall not be held responsible for damages arising from procedures carried out by unauthorised persons.



#### DANGER:

The power cable must not be clamped, bent or trapped or come into contact with hot parts of the product.

A damaged power cable must be replaced by a qualified electrician. Otherwise, there is risk of electric shock, short circuit or fire!

The mains supply data must correspond to the data specified on the type label of the product. The rating plate is either seen when the door or the lower cover is opened or it is located at the rear wall of the unit depending on the unit type.

Power cable of your product must comply with the values in "Technical specifications" table.



#### DANGER:

Before starting any work on the electrical installation, disconnect the product from the mains supply.

There is the risk of electric shock!

### Connecting the power cable

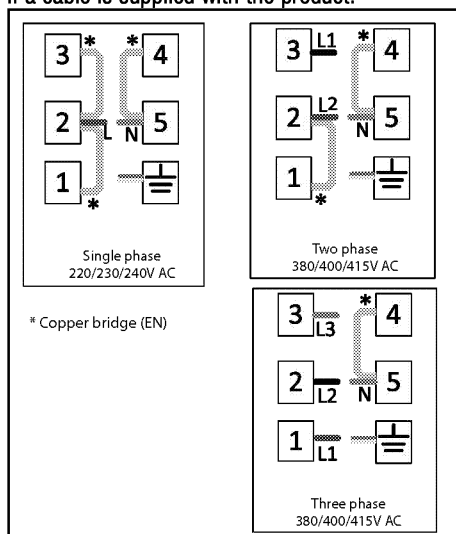


While performing the wiring, you must apply with the national/local electrical regulations and must use the appropriate socket outlet/line and plug for oven. In case of the product's power limits are out of current carrying capability of plug and socket outlet/line, the product must be connected through fixed electrical installation directly without using plug and socket outlet/line.

1. If it is not possible to disconnect all poles in the supply power, a disconnection unit with at least 3 mm contact clearance (fuses, line safety switches, contactors) must be connected and all the poles of this disconnection unit must be adjacent to (not above) the product in accordance with IEE directives. Failure to obey this instruction may cause operational problems and invalidate the product warranty.

Additional protection by a residual current circuit breaker is recommended.

#### If a cable is supplied with the product:



2. **For single-phase connection**, connect as identified below:

- Brown cable = L (Phase)
- Blue cable = N (Neutral)
- Green/yellow cable = (E) (Ground)



## Gas connection



### DANGER:

Product can be connected to gas supply system only by an authorised and qualified person or technician with licence.

Risk of explosion or toxication due to unprofessional repairs!

Manufacturer shall not be held responsible for damages arising from procedures carried out by unauthorised or unlicensed persons.



### DANGER:

Before starting any work on the gas installation, disconnect the gas supply.

There is the risk of explosion!

- Gas adjustment conditions and values are stated on labels (or ion type label).

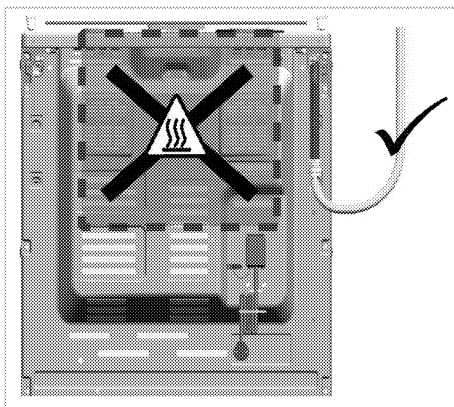


Your product is equipped for natural gas (NG).

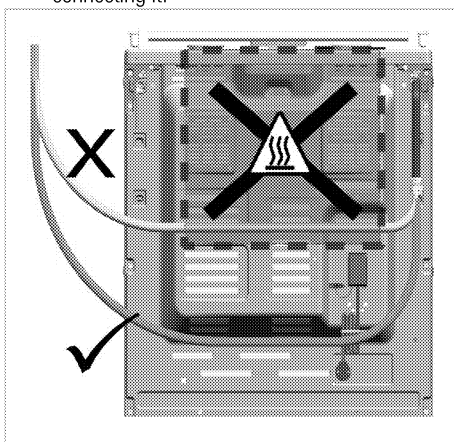
- Natural gas installation must be prepared suitably for the assembly before installing the product.
- Gas connection of your product will be performed by the authorised service.
- There must be a flex pipe at the outlet of the installation for the natural gas connection of your product and the tip of this pipe must be sealed with a blind plug. The blind plug will be removed during connection and your product will be connected by means of a flat connection device (sleeve).
- Make sure that the natural gas valve is readily accessible.
- If you need to use your product later with a different type of gas, you must consult the authorised service for the related conversion procedure.

### If your product has only one gas outlet;

- Before connecting the gas hose, make sure that the gas hose outlet at the back of the product is on the same side of the product as the natural gas valve.

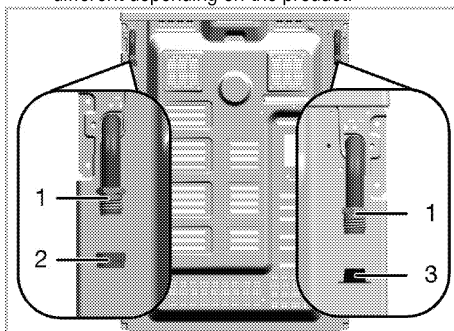


- If the gas hose outlet and the natural gas valve do not face on the same side, make sure that the hose does not pass through the hot area when connecting it.



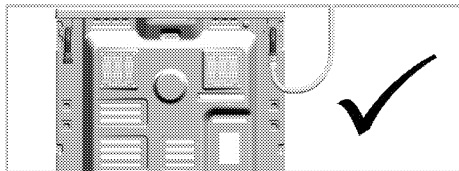
### If your product has two gas outlets;

- One of the two outlets is sealed with a blind plug and the other one with a plastic plug. Locations of the blind plug and plastic plug may be different depending on the product.

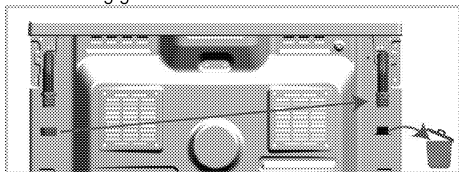


- 1 Gas hose outlet
- 2 Blind plug
- 3 Plastic plug

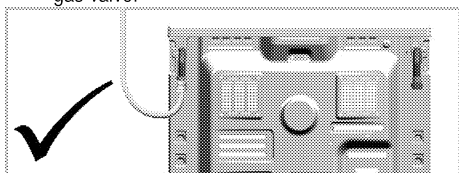
- Before gas connection, make sure that the natural gas valve and the gas hose outlet of the product to be connected to the gas is on the same side.
- If the natural gas valve and the gas hose outlet sealed with plastic plug face on the same side, make the gas connection as shown in the figure below.



- If the natural gas valve and the gas hose sealed with blind plug face on the same side, remove and dispose the plastic plug. Take out the blind plug and close the gas hose outlet where gas connection will not be made with a new (unused) sealing gasket.



- Make the gas connection as shown in the figure below on the gas hose outlet near the natural gas valve.




#### Risk of fire:


If you do not make the connection according to the instructions below, there will be the risk of gas leakage and fire. **Our company cannot be held responsible for damages resulting from this.**

- Gas connection must be made by the authorised service provider only.
- Gas connection of the product must definitely be made through the gas hose outlet near the natural gas valve.
- Plastic plug must be disposed, and the gas hose outlet that will not be used must be sealed with the blind plug.

- When closing the gas hose outlet that will not be used, you must definitely use a new and unused sealing gasket.




**DANGER:**  
The flexible gas hose must be connected in a way that it does not contact the moving parts around it and is not trapped when the moving parts are travelling.  
(e.g. drawers). Besides, it should not be placed in spaces where it might get squeezed.



**DANGER:**  
The gas hose must not be clamped, bent or trapped or come into contact with hot parts of the product.  
There is the risk of explosion due to damaged gas hose.

#### Leakage check at the connection point

- Make sure that all knobs on the product are turned off. Make sure that the gas supply is open. Prepare soapy foam and apply it onto the connection point of the hose for gas leakage control.
- Soapy part will froth if there is a gas leakage. In this case, inspect the gas connection once again.
- **If your product has two gas hose outlets,** make sure that the unused gas outlet is sealed with a blind plug. Prepare soapy foam and apply it onto the connection point of the blind plug to check for gas leaks. Soapy part will froth if there is a gas leakage. In this case, inspect the blind plug connection again.
- Instead of soap, you can use commercially available sprays for gas leak check.



Never use a match or lighter to make the gas leakage control.

- Push the product towards the kitchen wall.
- **Adjusting the feet of oven**  
Vibrations during use may cause cooking vessels to move. This dangerous situation can be avoided if the product is level and balanced. For your own safety please ensure the product is level by adjusting the four feet at the bottom by turning left or right and align level with the work top.

#### Final check

1. Reconnect the product to the mains.
2. Check electrical functions.
3. Open gas supply.

4. Check gas installations for secure fitting and tightness.
5. Ignite burners and check appearance of the flame.



Flame must be blue and have a regular shape. If the flame is yellowish, check if the burner cap is seated securely or clean the burner.

### Future Transportation

- Keep the product's original carton and transport the product in it. Follow the instructions on the carton. If you do not have the original carton, pack the product in bubble wrap or thick cardboard and tape it securely.
- To prevent the wire grill and tray inside the oven from damaging the oven door, place a strip of

cardboard onto the inside of the oven door that lines up with the position of the trays. Tape the oven door to the side walls.

- Secure the caps and pan supports with adhesive tape.
- Do not use the door or handle to lift or move the product.



Do not place any objects onto the product and move it in upright position.



Check the general appearance of your product for any damages that might have occurred during transportation.

## 4 Preparation

### Tips for saving energy

The following information will help you to use your appliance in an ecological way, and to save energy:

- Use dark coloured or enamel coated cookware in the oven since the heat transmission will be better.
- While cooking your dishes, perform a preheating operation if it is advised in the user manual or cooking instructions.
- Do not open the door of the oven frequently during cooking.
- Try to cook more than one dish in the oven at the same time whenever possible. You can cook by placing two cooking vessels onto the wire shelf.
- Cook more than one dish one after another. The oven will already be hot.
- You can save energy by switching off your oven a few minutes before the end of the cooking time. Do not open the oven door.
- Defrost frozen dishes before cooking them.
- Use pots/pans with cover for cooking. If there is no cover, energy consumption may increase 4 times.
- Select the burner which is suitable for the bottom size of the pot to be used. Always select the correct pot size for your dishes. Larger pots require more energy.
- Pay attention to use flat bottom pots when cooking with electric hobs. Pots with thick bottom will provide a better heat conduction. You can obtain energy savings up to 1/3.
- Vessels and pots must be compatible with the hotplates. Bottom of the vessels or pots must not be smaller than the hotplate.
- Keep the hotplates and bottom of the pots clean. Dirt will decrease the heat conduction between the hotplate and bottom of the pot.
- For long cookings, turn off the hotplate 5 or 10 minutes before the end of cooking time. You can obtain energy savings up to 20% by using the residual heat.

### Initial use

#### First cleaning of the appliance



The surface might get damaged by some detergents or cleaning materials.

Do not use aggressive detergents, cleaning powders/creams or any sharp objects during cleaning.

Do not use harsh abrasive cleaners or sharp metal scrapers to clean the oven door glass since they can scratch the surface, which may result in shattering of the glass.

1. Remove all packaging materials.
2. Wipe the surfaces of the appliance with a damp cloth or sponge and dry with a cloth.

#### Initial heating

Heat up the product for about 30 minutes and then switch it off. Thus, any production residues or layers will be burnt off and removed.



#### WARNING

Hot surfaces cause burns!

Product may be hot when it is in use. Never touch the hot burners, inner sections of the oven, heaters and etc. Keep children away. Always use heat resistant oven gloves when putting in or removing dishes into/from the hot oven.

#### Electric oven

1. Take all baking trays and the wire grill out of the oven.
2. Close the oven door.
3. Select Static position.
4. Select the highest oven power; See *How to operate the electric oven, page 24*.
5. Operate the oven for about 30 minutes.
6. Turn off your oven; See *How to operate the electric oven, page 24*

#### Grill oven

1. Take all baking trays and the wire grill out of the oven.
2. Close the oven door.
3. Select the highest grill power; see *How to operate the grill, page 26*.
4. Operate the grill about 30 minutes.
5. Turn off your grill; see *How to operate the grill, page 26*

#### Hot plate

1. Any production residues or conservation layers must be burnt before the first use. Operate the

hotplate at middle temperature level for 8 minutes without any vessel on it. No pots or containers should be placed onto the hotplate during this procedure.



Smoke and smell may emit for a couple of hours during the initial operation. This is quite normal. Ensure that the room is well ventilated to remove the smoke and smell. Avoid directly inhaling the smoke and the smell that emits.

## 5 How to use the hob

### General information about cooking



Never fill the pan with oil more than one third of it. Do not leave the hob unattended when heating oil. Overheated oils bring risk of fire. **Never attempt to extinguish a possible fire with water!** When oil catches fire, cover it with a fire blanket or damp cloth. Turn off the hob if it is safe to do so and call the fire department.

- Before frying foods, always dry them well and gently place into the hot oil. Ensure complete thawing of frozen foods before frying.
- Do not cover the vessel you use when heating oil.
- Place the pans and saucepans in a manner so that their handles are not over the hob to prevent heating of the handles. Do not place unbalanced and easily tilting vessels on the hob.
- Do not place empty vessels and saucepans on cooking zones that are switched on. They might get damaged.
- Operating a cooking zone without a vessel or saucepan on it will cause damage to the product. Turn off the cooking zones after the cooking is complete.
- As the surface of the product can be hot, do not put plastic and aluminum vessels on it. Such vessels should not be used to keep foods either.
- Use flat bottomed saucepans or vessels only.
- Put appropriate amount of food in saucepans and pans. Thus, you will not have to make any unnecessary cleaning by preventing the dishes from overflowing.

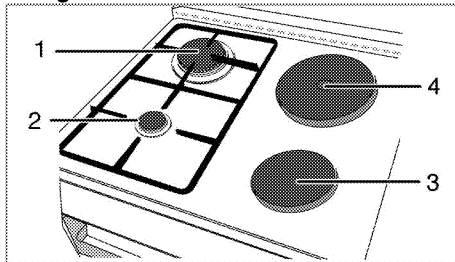
Do not put covers of saucepans or pans on cooking zones.

Place the saucepans in a manner so that they are centered on the cooking zone. When you want to move the saucepan onto another cooking zone, lift and place it onto the cooking zone you want instead of sliding it.

### Gas cooking

- Size of the vessel and the flame must match each other. Adjust the gas flames so that they will not extend the bottom of the vessel and center the vessel on saucepan carrier.

### Using the hobs



- 1 Rapid burner 22-24 cm
- 2 Auxiliary burner 12-18 cm
- 3 Hotplate 14-16 cm
- 4 Hotplate 18-20cm is list of advised diameter of pots to be used on related burners.



### WARNING

Do not use cooking pans beyond the dimension limits given above. Using larger pans causes risk of carbon monoxide poisoning, overheating of adjacent surfaces and control knobs. Using smaller pans causes your risk of being burned by the flame.

Large flame symbol indicates the highest cooking power and small flame symbol indicates the lowest cooking power. In turned off position (top), gas is not supplied to the burners.

### Igniting the gas burners



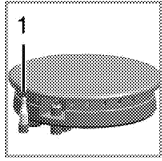
Gas burners are ignited with ignition buttons.

1. Keep burner knob pressed.
2. Turn it counter clockwise to large flame symbol.
3. Press and release the ignition button. Repeat the procedure until the released gas is ignited.
4. Adjust it to the desired cooking power.

### Turning off the gas burners

Turn the keep warm zone knob to off (upper) position.


## Gas shut off safety system (in models with thermic component)



1. Gas shut off safety


As a counter measure against blow out due to fluid overflows at burners, safety mechanism trips and shuts off the gas.

- Push the knob inwards and turn it counter clockwise to ignite.
- After the gas ignites, keep the knob pressed for 3-5 seconds more to engage the safety system.
- If the gas does not ignite after you press and release the knob, repeat the same procedure by keeping the knob pressed for 15 seconds.

	<p><b>DANGER:</b> Release the button if the burner is not ignited within 15 seconds. Wait at least 1 minute before trying again. There is the risk of gas accumulation and explosion!</p>
--	---

### Using hotplates

Hotplate knobs can be turned in both directions in a way that will provide temperature control in steps.

	<p>If the hob is equipped with hotplates featuring Booster function, relevant hotplate will be marked with a red dot.</p>
--	---

### Overheating protection

Hotplates that have a power above 1000 W are equipped with an overheating protection. Overheating protection decreases the power of the hotplate in following cases:

- There is no vessel or saucepan on the hotplate.
- There is an empty vessel or saucepan on the hotplate.
- The bottom of the vessel or saucepan is not flat.

### Turning on the hotplates

Use hotplate knobs to operate the hotplates. Move the hotplate knobs to the relevant level in order to obtain the desired cooking level.

Cooking level	1	2 — 3	4 — 6
	warming	stewing, simmering	cooking, roasting, boiling

### Turning off the hotplates

Turn the hotplate knob to OFF (upper) position.

## 6 How to operate the oven

### General information on baking, roasting and grilling



#### WARNING

Hot surfaces cause burns!  
Product may be hot when it is in use. Never touch the hot burners, inner sections of the oven, heaters and etc. Keep children away. Always use heat resistant oven gloves when putting in or removing dishes into/from the hot oven.



#### DANGER:

Be careful when opening the oven door as steam may escape.  
Exiting steam can scald your hands, face and/or eyes.

#### Tips for baking

- Use non-sticky coated appropriate metal plates or aluminum vessels or heat-resistant silicone moulds.
- Make best use of the space on the rack.
- Place the baking mould in the middle of the shelf.
- Select the correct rack position before turning the oven or grill on. Do not change the rack position when the oven is hot.
- Keep the oven door closed.

#### Tips for roasting

- Treating whole chicken, turkey and large piece of meat with dressings such as lemon juice and black pepper before cooking will increase the cooking performance.
- It takes about 15 to 30 minutes longer to roast meat with bones when compared to roasting the same size of meat without bones.
- Each centimeter of meat thickness requires approximately 4 to 5 minutes of cooking time.
- Let meat rest in the oven for about 10 minutes after the cooking time is over. The juice is better distributed all over the roast and does not run out when the meat is cut.
- Fish should be placed on the middle or lower rack in a heat-resistant plate.

#### Tips for grilling

When meat, fish and poultry are grilled, they quickly get brown, have a nice crust and do not get dry. Flat pieces, meat skewers and sausages are particularly suited for grilling as are vegetables with high water content such as tomatoes and onions.

- Distribute the pieces to be grilled on the wire shelf or in the baking tray with wire shelf in such a way that the space covered does not exceed the size of the heater.
- Slide the wire shelf or baking tray with grill into the desired level in the oven. If you are grilling on the wire shelf, slide the baking tray to the lower rack to collect fats. Add some water in the tray for easy cleaning.

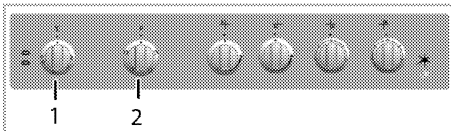


Foods that are not suitable for grilling carry the risk of fire. Only grill food which is suitable for intensive grilling heat.

Do not place the food too far in the back of the grill. This is the hottest area and fatty food may catch fire.

### How to operate the electric oven

#### Select temperature and operating mode



- 1 Thermostat knob
- 2 Function knob

1. Set the Function knob to the desired operating mode.
2. Set the Temperature knob to the desired temperature.

» Oven heats up to the adjusted temperature and maintains it. During heating, temperature lamp stays on.

#### Switching off the electric oven

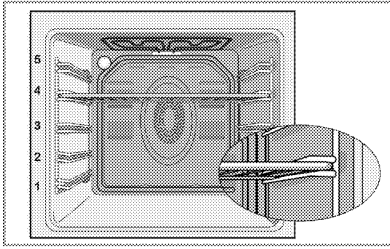
Turn the function knob and temperature knob to off (upper) position.

#### Rack positions (For models with wire shelf)

It is important to place the wire shelf onto the side rack correctly. Wire shelf must be inserted between the side racks as illustrated in the figure.

Do not let the wire shelf stand against the rear wall of the oven. Slide your wire shelf to the front section of the rack and settle it with the help of the door in order to obtain a good grill performance.  
(Varies depending on the product model.)





## Operating modes

The order of operating modes shown here may be different from the arrangement on your product.

### Top and bottom heating



Top and bottom heating are in operation. Food is heated simultaneously from the top and bottom. For example, it is suitable for cakes, pastries, or cakes and casseroles in baking moulds. Cook with one tray only.

### Bottom heating



Only bottom heating is in operation. It is suitable for pizza and for subsequent browning of food from the bottom.



This function must be used for easy steam cleaning as well.

### Grill



Small grill at the ceiling of the oven is in operation. Suitable for grilling.

- Put small or medium-sized portions in correct shelf position under the grill heater for grilling.
- Set the temperature to maximum level.
- Turn the food after half of the grilling time.

### Full grill



Large grill at the ceiling of the oven is in operation. It is suitable for grilling large amount of meat.

- Put big or medium-sized portions in correct rack position under the grill heater for grilling.
- Set the temperature to maximum level.
- Turn the food after half of the grilling time.

## Cooking times table



The timings in this chart are meant as a guide. Timings may vary due to temperature of food, thickness, type and your own preference of cooking.

## Baking and roasting



1st rack of the oven is the **bottom** rack.

Dish	Cooking level number		Rack position	Temperature (°C)	Cooking time (approx. in min.)
**Cakes in tray	One level		4	175	30 ... 35
**Cakes in mould	One level		2	175	40 ... 50
**Cakes in cooking paper	One level		3	175	20 ... 30
**Sponge cake	One level		3	200	5 ... 10
**Cookie	One level		3	175	20 ... 25
**Dough pastry	One level		2	200	30 ... 40
**Rich pastry	One level		2	200	25 ... 35
**Leaven	One level		2	200	35 ... 45
**Lasagna	One level		2 - 3	200	30 ... 40
**Pizza	One level		2	200 ... 220	15 ... 20
Beef steak (whole) / Roast	One level		2	25 min. 250/max. then 180 ... 190	100 ... 120
Leg of Lamb (casserole)	One level		2	25 min. 220 then 180 ... 190	70 ... 90
Roasted chicken	One level		2	15 min. 250/max. then 190	55 ... 65
Turkey (5.5 kg)	One level		2	25 min. 250/max. then 190	150 ... 210

Fish	One level		3	200	20...30
------	-----------	--	---	-----	---------

(\*\*) In a cooking that requires preheating, preheat at the beginning of cooking until the oven reached to adjusted temperature.

### Tips for baking cake

- If the cake is too dry, increase the temperature by 10°C and decrease the cooking time.
- If the cake is wet, use less liquid or lower the temperature by 10°C.
- If the cake is too dark on top, place it on a lower rack, lower the temperature and increase the cooking time.
- If cooked well on the inside but sticky on the outside use less liquid, lower the temperature and increase the cooking time.

### Tips for baking pastry

- If the pastry is too dry, increase the temperature by 10°C and decrease the cooking time. Dampen the layers of dough with a sauce composed of milk, oil, egg and yoghurt.
- If the pastry takes too long to bake, pay care that the thickness of the pastry you have prepared does not exceed the depth of the tray.
- If the upper side of the pastry gets browned, but the lower part is not cooked, make sure that the amount of sauce you have used for the pastry is not too much at the bottom of the pastry. Try to scatter the sauce equally between the dough layers and on the top of pastry for an even browning.



Cook the pastry in accordance with the mode and temperature given in the cooking table. If the bottom part is still not browned enough, place it on one lower rack next time.

## Cooking times table for grilling

### Grilling with electric grill

Food	Rack position	Recommended temperature (°C)**	Grilling time (approx.)
Fish	4...5	250/max	20...25 min. #
Sliced chicken	4...5	250/max	25...35 min.
Lamb chops	4...5	250/max	20...25 min.
Roast beef	4...5	250/max	25...30 min. #
Veal chops	4...5	250/max	25...30 min. #
Toast bread*	4	250/max	1...3 min.

\* depending on thickness

\*Preheat for 5 minutes

\*\*If the grill temperature of your product cannot be adjusted, the grill will work at the maximum temperature.

### Tips for cooking vegetables

- If the vegetable dish runs out of juice and gets too dry, cook it in a pan with a lid instead of a tray. Closed vessels will preserve the juice of the dish.
- If a vegetable dish does not get cooked, boil the vegetables beforehand or prepare them like canned food and put in the oven.

## How to operate the grill



### WARNING

Close oven door during grilling.  
Hot surfaces may cause burns!

### Switching on the grill

1. Turn the Function knob to the desired grill symbol.
2. Then, select the desired grilling temperature.
3. If required, perform a preheating of about 5 minutes.

» Temperature light turns on.

### Switching off the grill

1. Turn the Function knob to Off (top) position.



Foods that are not suitable for grilling carry the risk of fire. Only grill food which is suitable for intensive grilling heat.

Do not place the food too far in the back of the grill. This is the hottest area and fatty food may catch fire.

## 7 Maintenance and care

### General information

Service life of the product will extend and the possibility of problems will decrease if the product is cleaned at regular intervals.



#### DANGER:

Disconnect the product from mains supply before starting maintenance and cleaning works.  
There is the risk of electric shock!



#### DANGER:

Allow the product to cool down before you clean it.  
Hot surfaces may cause burns!

- Clean the product thoroughly after each use. In this way it will be possible to remove cooking residues more easily, thus avoiding these from burning the next time the appliance is used.
- No special cleaning agents are required for cleaning the product. Use warm water with washing liquid, a soft cloth or sponge to clean the product and wipe it with a dry cloth.
- Always ensure any excess liquid is thoroughly wiped off after cleaning and any spillage is immediately wiped dry.
- Do not use cleaning agents that contain acid or chloride to clean the stainless or inox surfaces and the handle. Use a soft cloth with a liquid detergent (not abrasive) to wipe those parts clean, paying attention to sweep in one direction.



The surface might get damaged by some detergents or cleaning materials.

Do not use aggressive detergents, cleaning powders/creams or any sharp objects during cleaning.

Do not use harsh abrasive cleaners or sharp metal scrapers to clean the oven door glass since they can scratch the surface, which may result in shattering of the glass.



Do not use steam cleaners to clean the appliance as this may cause an electric shock.

### Cleaning the hob

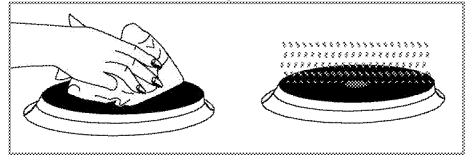
#### Gas hobs

1. Remove and clean the saucepan carriers and burner caps.
2. Clean the hob.
3. Install the burner caps and make sure that they are seated correctly.

4. When installing the upper grills, pay attention to place the saucepan carriers so that the burners are centered.

#### Electric hobs

1. Turn off the hotplates and wait until they cool down.
2. If necessary, clean the plates with a cleaning agent (you can obtain cleaners/softeners from specialty stores).
3. Warm only for a few minutes after cleaning in order to have their top section dried.
4. Apply a thin layer of machine oil onto the top surface of the hob regularly in order to protect it.



### Cleaning the control panel

Clean the control panel and knobs with a damp cloth and wipe them dry.



If your product is equipped with buttons/knobs do not remove the control buttons/knobs to clean the control panel.

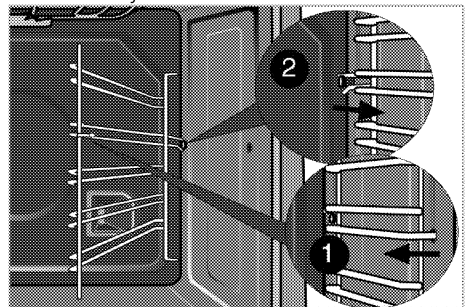
Control panel may get damaged!

### Cleaning the oven

To clean the side wall (Varies depending on the product model.)

(This feature is optional. It may not exist on your product.)

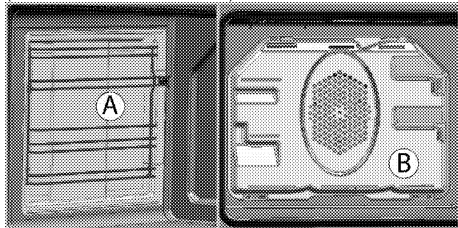
1. Remove the front section of the side rack by pulling it in the opposite direction of the side wall.
2. Remove the side rack completely by pulling it towards you.



#### Catalytic walls

(This feature is optional. It may not exist on your product.)

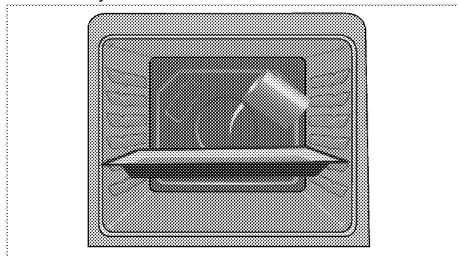
The inner side walls (A) and/or the rear wall (B) of your product may be coated with catalytic enamel. Catalytic walls have a light matte colour and a porous surface. Catalytic walls of the oven should not be cleaned. Porous surfaces of the catalytic walls are automatically cleaned by absorbing and converting the spilled oil (steam and carbon dioxide).



### Easy Steam Cleaning

It ensures easy cleaning because the dirt (having waited not for too long) is softened with the steam that forms inside the oven and the water drops condensing on the inner surfaces of the oven.

1. Remove all accessories inside the oven.
2. Pour 500 ml of water into the oven tray and place the tray at the 2nd rack of the oven.



3. Set the oven to easy steam cleaning mode and run at 100°C for 25 minutes.
4. Open the door and wipe the inner surfaces of the oven with a damp sponge or cloth.
5. Use warm water with washing liquid, a soft cloth or sponge to clean the persistent dirt and wipe it with a dry cloth.

### Clean oven door

To clean the oven door, use warm water with washing liquid, a soft cloth or sponge to clean the product and wipe it with a dry cloth.

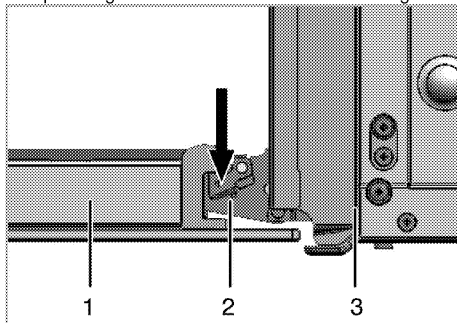


Don't use any harsh abrasive cleaners or sharp metal scrapers for cleaning the oven door. They could scratch the surface and destroy the glass.

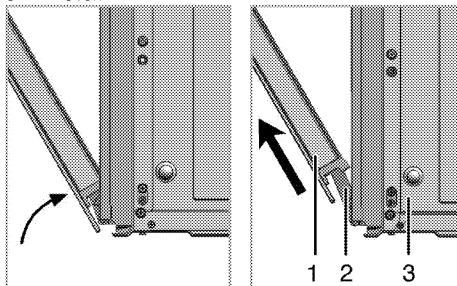
### Removing the oven door

1. Open the front door (1).

2. Open the clips at the hinge housing (2) on the right and left hand sides of the front door by pressing them down as illustrated in the figure.



- 1 Front door
- 2 Hinge
- 3 Oven



3. Move the front door to half-way.
4. Remove the front door by pulling it upwards to release it from the right and left hinges.



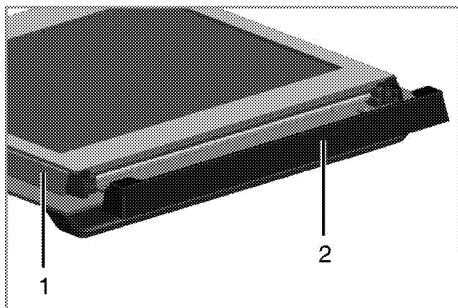
Steps carried out during removing process should be performed in reverse order to install the door. Do not forget to close the clips at the hinge housing when reinstalling the door.

### Removing the door inner glass

(This feature is optional. It may not exist on your product.)

The inner glass panel of the oven door can be removed for cleaning.

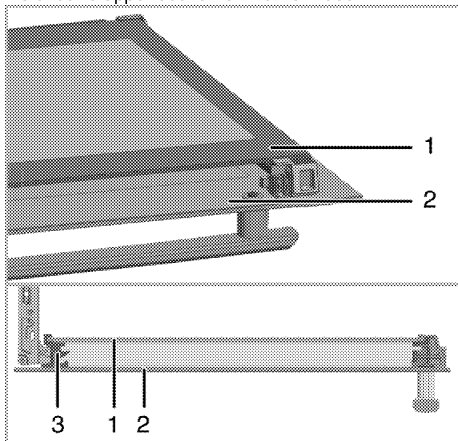
Open the oven door.



1 Frame

2 Plastic part

Pull towards yourself and remove the plastic part installed to upper section of the front door.

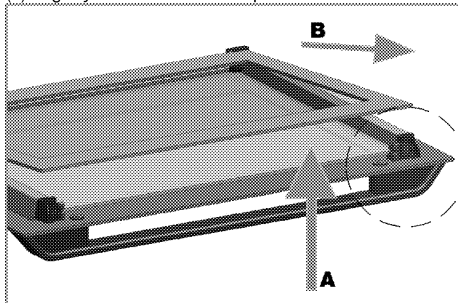


1 Inner glass panel

2 Outer glass panel

3 Plastic glass panel slot-Lower

As illustrated in figure, raise the innermost glass panel (1) slightly in direction A and pull it out in direction B.



When installing the inner glass panel (1), make sure that the printed side of the panel faces towards the inner.

It is important to seat lower corner of inner glass panel into the lower plastic slot.

Push the plastic part towards the frame until you hear a "click".

## Replacing the oven lamp



### DANGER:

Before replacing the oven lamp, make sure that the product is disconnected from mains and cooled down in order to avoid the risk of an electrical shock.  
Hot surfaces may cause burns!



The oven lamp is a special electric light bulb that can resist up to 300 °C. See *Technical specifications, page 13* for details. Oven lamps can be obtained from Authorised Service Agents or technician with licence.



Position of lamp might vary from the figure.



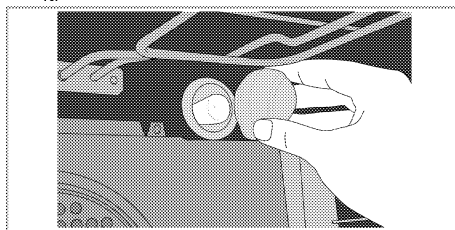
The lamp used in this appliance is not suitable for household room illumination. The intended purpose of this lamp is to assist the user to see foodstuffs.



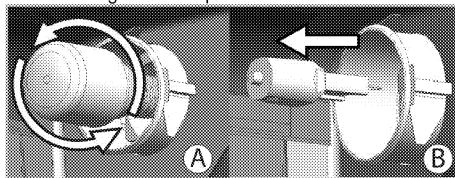
The lamps used in this appliance have to withstand extreme physical conditions such as temperatures above 50 °C.

### If your oven is equipped with a round lamp:

1. Disconnect the product from mains.
2. Turn the glass cover counter clockwise to remove it.



3. If your oven lamp is of type (A) shown in the figure below, remove it by rotating as shown and replace it. If it is of type (B), pull and remove it as shown in the figure and replace it.



4. Install the glass cover.

## 8 Troubleshooting

### Oven emits steam when it is in use.

- It is normal that steam escapes during operation. >>> *This is not a fault.*

### Product emits metal noises while heating and cooling.

- When the metal parts are heated, they may expand and cause noise. >>> *This is not a fault.*

### Product does not operate.

- The mains fuse is defective or has tripped. >>> *Check fuses in the fuse box. If necessary, replace or reset them.*
- Product is not plugged into the (grounded) socket. >>> *Check the plug connection.*

### Oven light does not work.

- Oven lamp is defective. >>> *Replace oven lamp.*
- Power is cut. >>> *Check if there is power. Check the fuses in the fuse box. If necessary, replace or reset the fuses.*

### Oven does not heat.

- Might not be set to a certain cooking function and/or temperature. >>> *Set the oven to a certain cooking function and/or temperature.*
- Power is cut. >>> *Check if there is power. Check the fuses in the fuse box. If necessary, replace or reset the fuses.*

### There is no ignition spark.

- No current. >>> *Check fuses in the fuse box.*

### There is no gas.

- Main gas valve is closed. >>> *Open gas valve.*
- Gas pipe is bent. >>> *Install gas pipe properly.*

### Burners are not burning properly or at all.

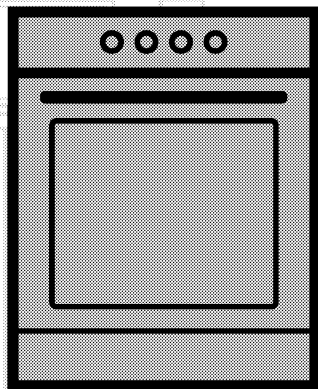
- Burners are dirty. >>> *Clean burner components.*
- Burners are wet. >>> *Dry the burner components.*
- Burner cap is not mounted safely. >>> *Mount the burner cap properly.*
- Gas valve is closed. >>> *Open gas valve.*
- Gas cylinder is empty (when using LPG). >>> *Replace gas cylinder.*



Consult the Authorised Service Agent or technician with licence or the dealer where you have purchased the product if you can not remedy the trouble although you have implemented the instructions in this section. Never attempt to repair a defective product yourself.

# Pećnica

Uputstvo za upotrebu



BS

**beko**

## Molimo prvo pročitajte ovaj priručnik za korisnika!

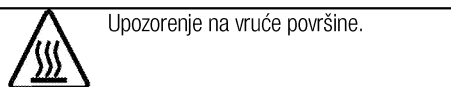
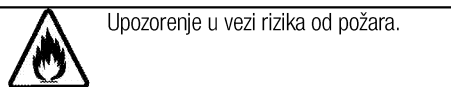
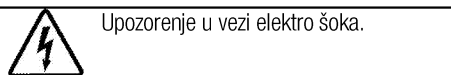
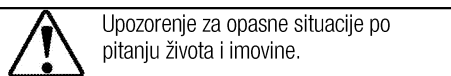
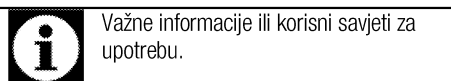
Poštovani Korisniče,

Hvala vam što ste izabrali Beko proizvod. Nadamo se da ćete uživati u najboljim rezultatima vašeg proizvoda koji je proizveden pomoću najmodernije tehnologije visoke kvalitete. Stoga, molimo vas pažljivo pročitajte ovaj cijeli priručnik za korisnika i sve druge prateće dokumente prije upotrebe proizvoda i čuvajte ih kao referencu za buduću upotrebu. Ako uručite ovaj proizvod nekom drugom, također mu/joj predajte i ovaj priručnik za korisnika. Slijedite sva upozorenja i informacije u ovom priručniku za korisnika.

Zapamtite da se ovaj priručnik za korisnika može primijeniti i za nekoliko drugih modela. Razlike između modela će biti identifikovane u ovim uputstvima.

### Pojašnjenje simbola

Sljedeći simboli su korišteni u ovom priručniku za korisnika:



**Arçelik A.Ş.**  
Karaağaç caddesi No:2-6  
34445 Sütlüce/Istanbul/TURKEY  
Made in TURKEY



**1 Važna uputstva i upozorenja za sigurnost i okoliš 4**

Opće mjere sigurnosti .....	4
Sigurnost kada se radi sa plinom .....	4
Električna sigurnost.....	6
Sigurnost proizvoda.....	7
Predviđena upotreba.....	9
Sigurnost za djecu .....	9
Odlaganje starog proizvoda.....	10
Odlaganje materijala za pakovanje .....	10

**2 Opće informacije 11**

Pregled .....	11
Sadržaj pakovanja.....	12
Tehničke specifikacije .....	13
Tabela brizgaljki.....	14

**3 Instalacija 15**

Prije instalacije .....	15
Instalacija i povezivanje .....	16
Odlaganje starog proizvoda.....	20

**4 Priprema 21**

Savjeti za uštedu energije.....	21
Prva upotreba.....	21
Prvo čišćenje uređaja.....	21
Početno zagrijavanje .....	21

**5 Kako koristiti ploču za kuhanje 22**

Opšte informacije o kuhanju.....	22
Upotreba ploče za kuhanje.....	22

**6 Kako rukovati pećnicom 24**

Opće informacije o pečenju, prženju i roštiljanju ....	24
Kako rukovati električnom pećnicom.....	24
Načini rada .....	24
Tabela vremena kuhanja.....	25
Kako rukovati roštiljom .....	26
Vrijeme pripremanja hrane korištenjem funkcije roštilja .....	26

**7 Održavanje i njega 27**

Opšte informacije.....	27
Čišćenje ploče za kuhanje.....	27
Čišćenje kontrolne ploče.....	27
Čišćenje pećnice .....	27
Skidanje vrata pećnice.....	28
Uklanjanje unutrašnjeg stakla na vratima .....	28
Zamjena svjetla u pećnici.....	29

**8 Rješavanje problema 31**

## **1 Važna uputstva i upozorenja za sigurnost i okoliš**

Ovaj odjeljak sadrži sigurnosna uputstva koja će vam pomoći da se zaštitite od rizika od lične povrede ili oštećenja imovine. Ne pridržavanje ovih uputstava će poništiti svaku garanciju.

### **Opće mjere sigurnosti**

- Ovaj uređaj mogu koristiti djeca dobi od 8 godina i starija kao i osobe sa reduciranim fizičkim, čulnim ili mentalnim sposobnostima ili sa nedostatkom iskustva i znanja ukoliko im je obezbijeden nadzor ili uputstvo u vezi upotrebe uređaja na bezbjedan način i razumijevanja opasnosti koje mogu biti uključene.  
Djeca se ne smiju igrati sa uređajem. Djeca bez nadzora ne smiju obavljati radnje oko čišćenja i održavanja.
- Uređaj nije namijenjen za upotrebu od strane osoba (uključujući djecu) sa smanjenim fizičkim, osjetilnim ili mentalnim sposobnostima ili s nedostatkom iskustva i znanja, osim ako su pod nadzorom ili ako su instruirani po pitanju upotrebe uređaja.  
Djeca koju nadgledate ne smiju se igrati s uređajem.
- Ako je proizvod uručen nekom drugom za ličnu upotrebu ili da se

koristi kao rabljeni proizvod, takođe treba uručiti priručnik za korisnika, oznake proizvoda i druge relevantne dokumente kao i dijelove proizvoda .

- Nikada ne postavljajte proizvod na tepih-pokrivene podove. U spurotnom, manjak protoka zraka ispod proizvoda će prouzrokovati pregrijavanje električnih dijelova. To će prouzrokovati probleme s vašim proizvodom.
- Postupke ugradnje i opravke uvijek moraju izvoditi ovlašteni serviseri. Proizvođač se neće držati odgovornim za oštećenja nastala usljed procedura koje su izvodile neovlaštene osobe što takođe može prouzrokovati da garancija bude nevažeća. Prije ugradnje, pažljivo pročitajte uputstva.
- Nemojte koristiti uređaj ukoliko je u kvaru ili ako na njemu ima vidljivih oštećenja.
- Uvjerite se da su funkcijske tipke proizvoda isključene nakon svake upotrebe.

### **Sigurnost kada se radi sa plinom**

- Sve radove na plinskoj opremi i sistemima mogu obavljati samo ovlaštene kvalificirane osobe koje imaju licencu za postavljanje plinskih instalacija.

- Prije instaliranja, provjerite jesu li lokalni distribucijski uvjeti (vrsta plina i pritisak plina) i podešavanje uređaja kompatibilni.
  - Ovaj uređaj nije povezan sa napravom za evakuiranje produkata sagorijevanja. On se mora instalirati i spojiti u skladu sa važećim propisima o instaliranju. Posebnu pažnju treba obratiti na relevantne zahtjeve u pogledu prozračivanja; Pogledati *Prije instalacije, Stranica 15*
  - Upotreba plinskog aparata za kuhanje rezultira proizvodnjom topline, vlage i produkata nastalih sagorijevanjem u prostoriji u kojoj je on ugrađen. Osigurajte da kuhinja bude dobro prozračena Posebno kada je ovaj uređaj u upotrebi: Držite otvore za prirodnu ventilaciju otvorenim ili ugradite mehanički uređaj za ventilaciju (mehanička hauba za izbacivanje zraka). Duža upotreba uređaja može stvoriti potrebu za dodatnim prozračivanjem, na primjer povećanjem stepena mehaničkog prozračivanja tamo gdje je ono prisutno.
  - Plinski uređaji i sistemi moraju se redovno provjeravati kako bi se osiguralo njihovo pravilno funkcioniranje. Regulator, crijevo i njegova spojnica moraju se provjeravati redovno i moraju se zamijeniti u vremenskom roku koji je preporučeno od strane proizvođača ili kada je to neophodno.
  - Redovno čistite plinske gorionike. Plamen treba biti plave boje i treba ravnomjerno goriti.
  - Ovaj proizvod treba koristiti u prostoriji koja uključuje ispravno prilagođen i funkcionalan senzor za ugljen monoksid. Pobrinite se da senzor za ugljen monoksid radi ispravno i da se isti održava redovno. Senzor za ugljen monoksid treba instalirati na maksimalnoj udaljenosti od 2 metra od proizvoda.
  - Za plinske uređaje potrebno je dobro sagorijevanje plina. U slučaju nepotpunog sagorijevanja, može doći do stvaranja ugljičnog monoksida (CO). Ugljični monoksid je bez boje i mirisa i jako je otrovan plin, koji ima smrtonosni učinak čak i jako malim dozama.
  - Od svog lokalnog dobavljača plina tražite informacije o brojevima telefona za hitne intervencije na plinskim instalacijama i sigurnosnim mjerama u slučaju da osjetite miris plina.
- Šta učiniti kad osjetite miris plina**
- Nemojte koristiti otvoreni plamen ili nemojte pušiti. Nemojte stavljati u pogon bilo kakve električne

prekidače (npr. prekidač za svjetlo, zvono vrata itd.) Nemojte koristiti fiksne ili mobilne telefone. Rizik od eksplozije i trovanja!

- Zatvorite sve ventile na plinskim uređajima i mjeracu potrošnje plina
- Otvorite vrata i prozore.
- Provjerite nepropusnost svih cijevi i spojeva. Ako još uvijek osjećate miris plina, izađite iz stana ili kuće.
- Upozorite susjede.
- Pozovite vatrogasce. Koristite telefo izvan kuće.
- Nemojte opet ulaziti u stan ili kuću dok vam se ne kaže da je to sigurno.

### **Električna sigurnost**

- Ukoliko proizvod ima grešku, ne bi trebalo njim rukovati dok se greška ne popravi od strane zastupnika iz ovlaštenog servisa. Postoji rizik od elektro šoka!
- Proizvod spojite samo na uzemljeni izlaz/vod s naponom i zaštitu kao što je specificirano u odjeljku "Tehničke specifikacije". Neka uzemljenje izvrši kvalifikovani električar dok se proizvod koristi sa ili bez transformatora. Naša kompanija neće biti odgovorna za bilo kakve probleme nastale zbog toga što proizvod nije bio uzemljen u skladu sa lokalnim regulativama.

- Nikada ne perite proizvod poljevanjem ili posipanjem vode po njemu! Postoji rizik od elektro šoka!
- Proizvod mora biti iskopčan za vrijeme ugradnje, održavanja, čišćenja i popravke.
- Ako je napojni kabal za priključivanje proizvoda oštećen, isti se mora zamijeniti od strane proizvođača, njegovog zastupnika ili sličnih kvalifikovanih osoba da bi se izbjegli neželjeni rizici.
- Uređaj mora biti ugrađen tako da se može u potpunosti iskopčati sa mreže. Separacija mora biti obezbijeđena bilo pomoću glavnog utikača, bilo pomoću sklopke ugrađene u fiksnu električnu instalaciju, u skladu sa konstrukcionim propisima.
- Stražnja površina pećnice zagrije se prilikom korištenja. Budite sigurni da plinski/električni priključak nema kontakta sa stražnjom površinom; u suprotnom, spoj se može oštetiti.
- Nemojte dozvoliti da se napojni kabal zaglavi između vrata pećnice i okvira i nemojte voditi kabal preko toplih površina. U suprotnom, izolacija kabla bi se mogla istopiti što može izazvati požar kao rezultat kratkog spoja.

- Sve radove na električnoj opremi i sistemima trebaju izvoditi samo ovlaštene i kvalificirane osobe.
- U slučaju bilo kakvog oštećenja, isključite uređaj i iskopčajte ga sa napajanja. Da biste ovo uradili, isključite osigurač u kući.
- Provjerite da je jačina osigurača kompatibilna sa vašim proizvodom.

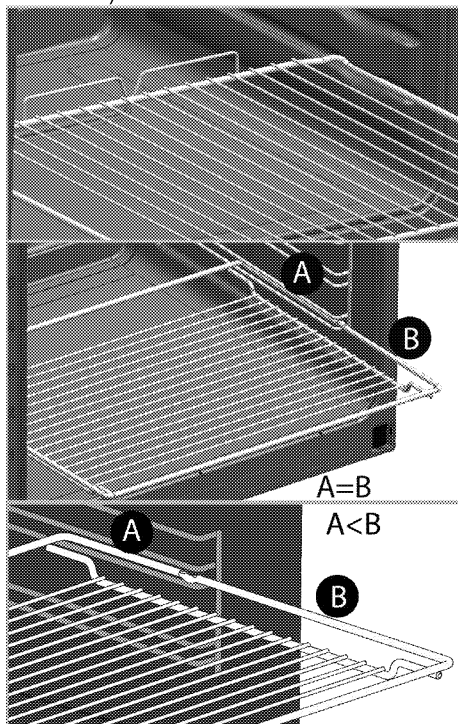
### **Sigurnost proizvoda**

- **UPOZORENJE:** Uređaj i njegovi dostupni dijelovi postaju vrela za vrijeme upotrebe. Potrebno je voditi računa da bi se izbjeglo dodirivanje grijnih elemenata. Djecu mlađu od 8 godina treba držati dalje od uređaja ukoliko nisu pod stalnim nadzorom.
- Osobe čije su prosudbe ili koordinacija smanjene pod uticajem alkohola i/ili droga ne smiju koristiti uređaj.
- Budite oprezni kada koristite alkoholna pića u vašem posuđu. Alkohol isparava na visokim temperaturama i može izazvati požar jer se zapali kada stupi u kontakt sa vrućim površinama.
- Nemojte stavljati nikakve zapaljive materijale u blizini proizvoda jer i bočne strane mogu postati vruće tokom upotrebe.
- Uređaj postaje vruć za vrijeme upotrebe. Potrebno je voditi računa da bi se izbjeglo

dodirivanje grijnih elemenata unutar pećnice.

- Držite sve otvore za ventilaciju očišćenim od prepreka.
- Nemojte zagrijavati zatvorene konzerve niti staklene posude u pećnici. Pritisak koji se može stvoriti u tim konzervama/posudama može dovesti do njihovog pucanja.
- Nemojte stavljati pladnjeve za pečenje, posuđe ili aluminijsku foliju direktno na dno pećnice. Akumuliranje toplote moglo bi uzrokovati oštećenja na dnu pećnice.
- Nemojte koristiti gruba abrazivna sredstva za čišćenje ili oštre metalne strugače da čistite staklo na vratima pećnice jer oni mogu izgubiti površinu, što može rezultirati lomom na staklu.
- Nemojte koristiti čistače na paru da čistite uređaj jer bi to moglo prouzrokovati strujni udar.
- (Varira u ovisnosti od modela proizvoda.)  
Ispravno postavljanje žičanog nosača i pladnja na stalke za rešetku  
Važno je da se žičana rešetka i/ili pladanj postave ispravno na stalak. Umetnite žičanu rešetku ili pladanj između 2 tračnice i osigurajte da bude uravnoteženo prije nego stavite hranu na to

(Molimo pogledajte slijedeću sliku).



- Nemojte koristiti proizvod ukoliko je staklo na prednjim vratima uklonjeno ili slomljeno.
- Ručka na pećnici nije sušilo za peškire. Nemojte vješati peškir, rukavice ili slične tekstilne proizvode kada je u funkciji roštilj sa otvorenim vratima.
- Uvijek koristite rukavice za pećnicu otporne na vrućinu kada stavljate ili uklanjate posude u/iz vrele pećnice.
- Postavite papir za pečenje u posudu za kuhanje ili na dodatnu opremu pećnice (pladanj, žičanu rešetku itd.) zajedno s hranom i

potom ubacite sve u prethodno zagrijanu pećnicu. Uklonite višak dijelova papira za pečenje koji se preljeva izvan dodatne opreme ili posude da bi se spriječio rizik dodirivanja grijnih elemenata pećnice. Nikada ne koristite papir za pečenje na radnoj temperaturi koja je viša od naznačene vrijednosti za papir za pečenje. Nemojte stavljati papir za pečenje direktno na bazu pećnice.

- **UPOZORENJE:** Budite sigurni da je uređaj isključen prije mijenjanja lampice kako biste izbjegli mogućnost strujnog udara.
- Uređaj ne smije biti instaliran iza dekorativnih vrata kako bi se izbjeglo pregrijavanje.
- Proizvod se mora postaviti direktno na pod. Ne smije se stavljati na neku podlogu ili postolje.
- **UPOZORENJE:** Kuhanje bez nadzora na ploči za kuhanje sa masnoćom ili uljem može biti opasno i može izazvati požar. **NIKADA** ne pokušavajte gasiti vatru vodom, nego isključite uređaj i potom pokrijte plamen sa, npr. poklopcem ili dekom.
- **OPREZ:** Proces kuhanja se mora nadgledati. Kratkotrajni proces kuhanja se mora neprestano nadgledati.

- UPOZORENJE: Opasnost od požara: Nemojte ostavljati stvari na površinama za kuhanje.
- Uređaj nije namijenjen za rukovanje sredstvima nekog eksternog programatora ili posebnog sistema daljinskog upravljača.
- UPOZORENJE: Koristite samo štitnike ploče za kuhanje dizajnirane od strane proizvođača uređaja za kuhanje ili one koji su naznačeni od strane proizvođača uređaja u uputstvima za upotrebu kao pogodine za štitnike ploče za kuhanje, ugrađene u uređaj. Korištenje neadekvatnih štitnika može prouzrokovati nezgode.

Za sigurnost od požara na proizvodu;

- Provjerite da li utikač odgovara utičnici kao i to da ne uzrokuje iskrenje.
- Ne upotrebljavajte oštećen ili sječen ili produžni kabal osim originalnog kabla.
- Budite sigurni da tečnost ili vlaga na utičnici ne dospiju u proizvod preko utikača.
- Budite sigurni da je plinsko priključivanje ugrađeno propisno da ne bi uzrokovalo curenje.

### **Predviđena upotreba**

- Ovaj proizvod je dizajniran za upotrebu u domaćinstvu. Komercijalna upotreba nije dopuštena.

- Ovaj uređaj je samo za kuhanje. On se ne smije koristiti u druge svrhe, na primjer grijanje prostorije.
- Uređaj se ne smije koristiti za zagrijavanje tanjira ispod roštilja, sušenje peškira ili krpa itd. vješanjem istih na ručkama kao ni u svrhu zagrijavanja.
- Proizvođač nije odgovoran za bilo kakve štete uzrokovane nepropisnim korištenjem ili greškama pri rukovanju.
- Uređaj se može koristiti za odmrzavanje, pečenje, prženje i roštiljanje hrane.

### **Sigurnost za djecu**

- UPOZORENJE: Pristupačni dijelovi mogu postati vrući tokom upotrebe. Malu djecu treba držati dalje od uređaja.
- Ambalažni materijali mogu predstavljati opasnost za djecu. Držite ambalažne materijale dalje od dohvata djece. Molimo odložite sve dijelove pakovanja i sklada sa ekološkim propisima.
- Električni i/ili plinski proizvodi predstavljaju opasnost za djecu. Držite djecu dalje od proizvoda kada je on u funkciji i nemojte dozvoliti djeci da se igraju s tim proizvodom.
- Ne ostavljajte iznad uređaja bilo kakve predmete koje djeca mogu dosegnuti.

- Kada su vrata otvorena, nemojte stavljati bilo kakve teške predmete na njih i ne dajte djeci da sjedaju na njih. Vrata se mogu oboriti ili se mogu oštetiti šarke na vratima.

## Odlaganje starog proizvoda

**Usklađenost sa WEEE Direktivom i odlaganje otpadnog proizvoda:**



Ovaj proizvod je u skladu sa EU WEEE Direktivom (2012/19/EU). Ovaj proizvod posjeduje klasifikacijski simbol za otpadnu električnu i elektroničku opremu (WEEE).

Ovaj proizvod je proizveden od visoko kvalitetnih dijelova koji se mogu ponovo upotrijebiti i koji su

pogodni za recikliranje. Nemojte odlagati otpadni proizvod s običnim kućnim i drugim otpadima čiji je vijeka trajanja prošao. Odnosite taj otpad na odlagalište za reciklažu električne i elektroničke opreme. Molimo vas posavjetujte se sa lokalnim institucijama da saznate gdje se nalaze ova odlagališta.

### **Usklađenost sa RoHS Direktivom:**

Proizvod koji ste kupili je u skladu sa EU RoHS Direktivom (2011/65/EU). On ne sadrži nikakve štetne i zabranjene materijale specificirane u ovoj Direktivi.

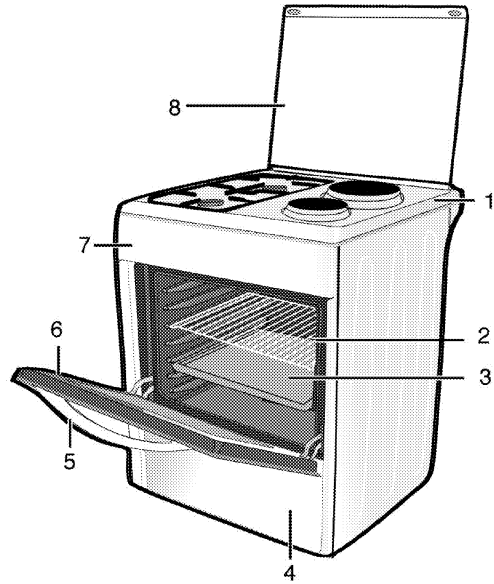
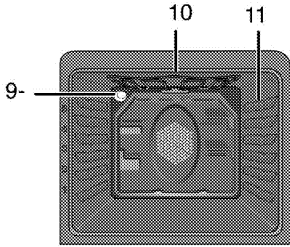
## Odlaganje materijala za pakovanje

- Materijal za pakovanje predstavlja opasnost po djecu. Čuvajte materijal za pakovanje na sigurnom mjestu van dohvata djece. Materijali za pakovanje ovog proizvoda napravljeni su od reciklirajućeg materijala. Pravilno ih odložite i sortirajte ih u skladu sa uputstvima za reciklažu otpada. Nemojte ih odlagati zajedno sa običnim kućnim otpadom.



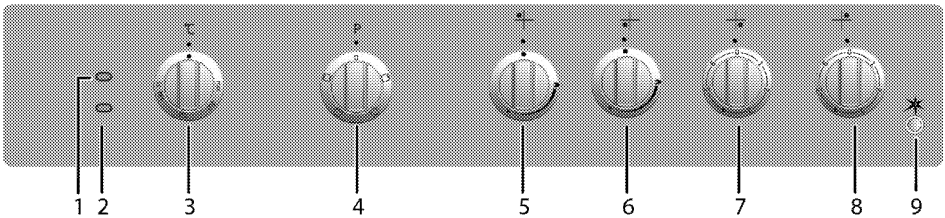
## 2 Opće informacije

### Pregled



- 1 Ploča gorionika
- 2 Žičani nosač
- 3 Pladanj
- 4 Donji dio
- 5 Drška
- 6 Prednja vrata

- 7 Upravljačka ploča
- 8 Poklopac na vrhu
- 9 Lampa
- 10 Grijni element roštilja
- 11 Položaji police



- 1 Lampica upozorenja
- 2 Termostatska lampa
- 3 Termostatska sklopka
- 4 Funkcijska sklopka
- 5 Brzi gorionik Stražnji lijevi
- 6 Pomoćni gorionik Prednji lijevi
- 7 Ringla Prednji desni
- 8 Ringla Stražnji desni
- 9 Dugme za paljenje

## Sadržaj pakovanja

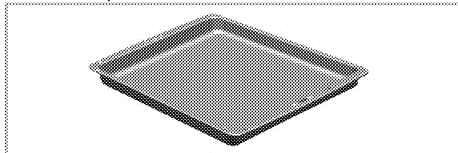


Isporučeni pribor se može razlikovati ovisno od modela proizvoda. Svaki komad dodatnog pribora koji je opisan u priručniku za korisnika ne mora biti isporučen uz vaš proizvod.

### 1. Uputstvo za upotrebu

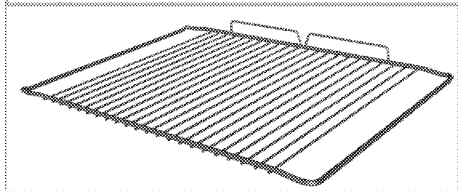
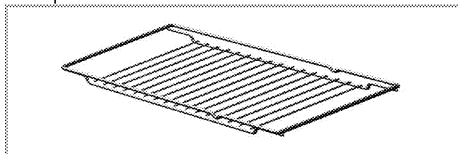
### 2. Pladanj pećnice

Upotrebljava se za peciva, zamrznutu hranu i velike pečenice.



### 3. Žičani nosač

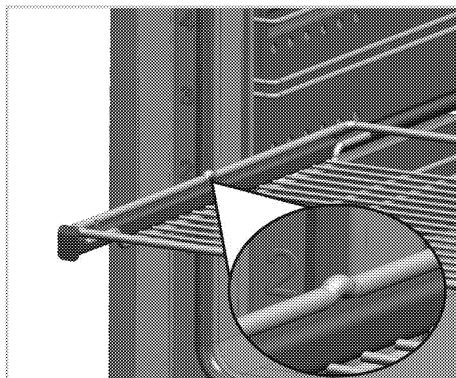
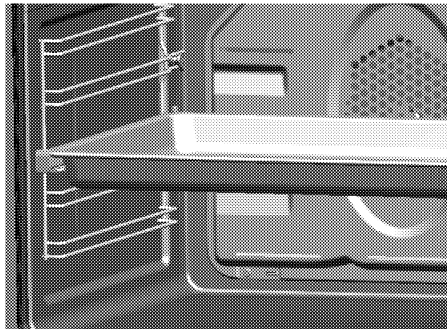
Upotrebljava se za prženje i za postavljanje hrane koju treba peći, pržiti ili kuhati u loncu na željenoj polici.



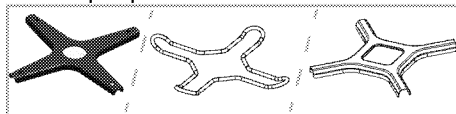
### 4. Ispravno postavljanje žičanog nosača i pladnja na teleskopske stalke

**(Ova funkcija je opcionalna. Ona se možda neće nalaziti na vašem proizvodu.)**

Teleskopski stalci omogućavaju vam da lako postavite i uklonite pladnjeve i žičani nosač. Kada koristite pladnjeve i žičani nosač sa teleskopskim stalcima, osigurajte da zakačke na stražnjem odjeljku teleskopskog stalka stoje nasuprot rubova žičanog nosača i pladnja.



### 5. Adapter posude za kafu



Upotrebljava se za posude za kafu.

## Tehničke specifikacije

<b>OPŠTI</b>	
Vanjske dimenzije (visina/širina/dubina)	850 mm/600 mm/600 mm
Napon/frekvencija	220-240 V ~ 50 Hz
Ukupna potrošnja električne energije	5.3 kW
Osigurač	25 A
Vrsta kabla/poprečni presjek	min.H05W-FG 3 x 2,5 mm <sup>2</sup>
Kategorija plinskog uređaja	II 2H3B/P
Vrsta/pritisak plina	NG G 20/20 mbar
Ukupna potrošnja plina	3.9 kW
Konverzija vrste/pritiska plina <sup>S</sup>	LPG G 30/28-30 mbar
– opcionalno	
<b>PLOČA ZA KUHANJE</b>	
<b>Gorionici</b>	
Stražnji lijevi	<b>Brzi gorionik</b>
Snaga	2.9 kW
Prednji lijevi	<b>Pomoćni gorionik</b>
Snaga	1 kW
Prednji desni	<b>Ringla</b>
Dimenzije	145 mm
Snaga	1000 W
Stražnji desni	<b>Ringla</b>
Dimenzije	180 mm
Snaga	2000 W
<b>PEĆNICA/ROŠTILJ</b>	
Glavna pećnica	<b>Konvencionalna pećnica</b>
Unutrašnja lampica	15–25 W
Potrošnja električne energije roštilja	2.2 kW

#

Osnove: Informacije o električnim pećnicama na etiketi o energiji date su u skladu sa EN 60350-1 / IEC 60350-1 standardima. Te vrijednosti su determinirane pod standardnim opterećenjem sa donjim-gornjim grijačima ili funkcijama zagrijavanja potpomognutim ventilatorom (ukoliko postoje).

Klasa energetske efikasnosti je determinirana u skladu sa slijedećim prioritetima što zavisi od toga da li relevantne funkcije postoje na uređaju ili ne. 1-Kuhanje uz eco-ventilator, 2- Turbo sporo kuhanje, 3- Turbo kuhanje, 4- Zagrijavanje donje/gornje površine potpomognuto ventilatorom, 5- Zagrijavanje donje i gornje površine.



Tehničke specifikacije su podložne izmjenama bez prethodne obavijesti kako bi se poboljšao kvalitet uređaja.



Slike u ovom priručniku su shematske i moguće je da se ne podudaraju tačno s vašim uređajem.



vrijednosti prikazane na naljepnicama uređaja ili u priloženoj dokumentaciji postignute su u laboratorijskim uvjetima u skladu sa relevantnim standardima. Ovisno o uvjetima okoline i rada uređaja, ove vrijednosti mogu varirati.

## Tabela brizgaljki

Zona postavljanja ploče za kuhanje	2.9 kW Stražnji lijevi	1 kW Prednji lijevi
Vrsta plina/Pritisak plina		
G 20/20 mbar	115	72
G 30/28-30 mbar	87	50

### 3 Instalacija

Proizvod mora biti ugrađen od strane ovlaštene osobe u skladu sa propisima koji su na snazi. U suprotnom, garancija će postati nevažeća. Proizvođač se neće držati odgovornim za oštećenja nastala usljed procedura koje su izvodile neovlaštene osobe i garancija može biti nevažeća.



Priprema lokacije i elektro i plinske instalacije za ovaj proizvod je u nadležnosti korisnika.



#### OPASNOST:

Prilikom instalacije, uređaj mora biti spojen u skladu sa svim lokalnim propisima o plinskim i/ili električnim instalacijama.



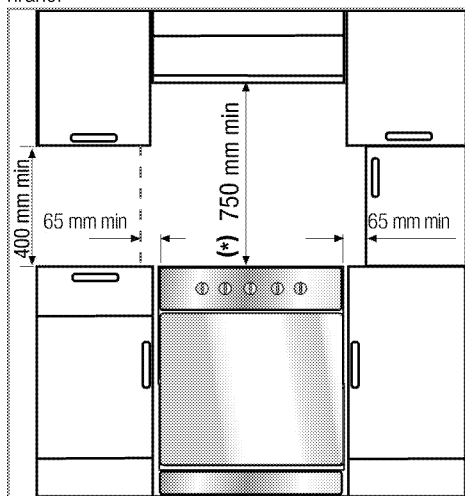
#### OPASNOST:

Prije instalacije, izvršiti vizuelnu proveru da li na proizvodu ima bilo kakvih nedostataka. Ako da, nemojte vršiti instalaciju. Oštećeni proizvodi predstavljaju rizik za vašu sigurnost.

#### Prije instalacije

Da bi se osiguralo da ispod uređaja postoji prostor za zrak, što je od ključnog značaja, preporučujemo da se uređaj postavi na čvrstu podlogu i da nožice ne utonu u tepih ili bilo kakav meki prekrivač za pod.

Kuhinjski pod mora biti takav da može podnositi težinu uređaja i dodatnu težinu posuda i pribora za kuhanje i hrane.



- Može se koristiti uz ormariće sa obje strane, ali da bi se ostvarila minimalna udaljenost od 400mm iznad nivoa ploče za kuhanje, ostavite

zazor sa strane od 65mm između uređaja i zida, pregrade ili visokog plakara.

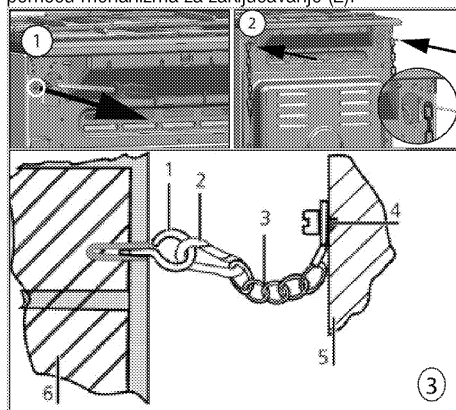
- Može se koristiti i kao samostojeći uređaj. Omogućite minimalnu razdaljinu od 750 mm iznad površine ploče za kuhanje.
- (\*) Kada je potrebno ugraditi kuhinjsku napu iznad štednjaka, pogledajte priložena uputstva od proizvođača kuhinjske nape za pravilno određivanje visine ugradnje (min 650 mm).
- Uređaj odgovara klasi uređaja 1, tj. može se postavljati sa stražnjim dijelom i **jednom** stranom uz kuhinjske zidove, kuhinjski namještaj ili opremu bilo koje veličine. Kuhinjski namještaj ili oprema sa **druge** strane mogu biti samo iste veličine ili manji.
- Kuhinjski namještaj koj se postavlja pored uređaja mora biti otporan na toplotu (minimalno 100 °C).

#### Sigurnosni lanac

##### Ako vaš proizvod ima 2 sigurnosna lanca;

Uređaj se mora osigurati od neuravnoteženosti korištenjem dva sigurnosna lanca koji se isporučuju uz pećnicu.

Pričvrstite kuku (1) koristeći odgovarajući klin na kuhinjski zid (6) i povežite sigurnosni lanac (3) na kuku pomoću mehanizma za zaključavanje (2).

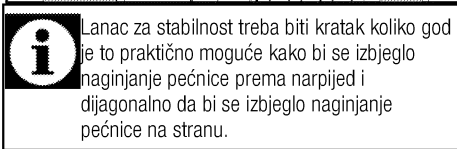
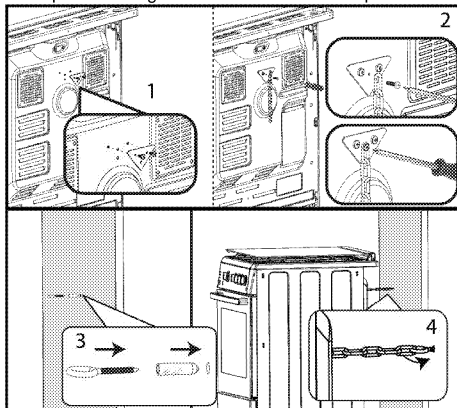


- Kuka za stabilnost
- Mehanizam za zaključavanje
- Sigurnosni lanac
- Čvrsto pričvrstite lanac na stražnji dio štednjaka
- Stražnji dio štednjaka
- Kuhinjski zid

## Ako vaš proizvod ima 1 sigurnosni lanac;

Uređaj se mora osigurati od neuravnoteženosti korištenjem isporučenog jednog sigurnosnog lanca na vašoj pećnici.

Slijedite dolje navedene korake koji su dati na slici da biste pričvrstili sigurnosni lanac na vašem proizvodu.



Lanac za stabilnost štednjaka za štednjake koji nisu dizajnirani sa prorezom za konzolno pričvršćivanje.

## Provjetravanje prostorije

Sve prostorije moraju imati prozor koji se može otvoriti, ili neki ekvivalent prozoru, a za neke prostorije potrebna je i stalna ventilacija. Zrak za sagorijevanje uzima se iz prostorije, a ispušni plinovi emituju se direktno u prostoriju. Dobro provjetravanje od ključnog je značaja za siguran rad vašeg uređaja.

## Prostorije s vratima i/ili prozorima koji se otvaraju direktno prema vanjskom okruženju

Vrata i/ili prozori koji se otvaraju direktno prema vanjskom okruženju moraju imati ukupan otvor za ventilaciju u skladu s dimenzijama koje su navedene u tabeli u nastavku koje se zasnivaju na ukupnoj plinskoj energiji uređaja (ukupna potrošnja plinske energije uređaja prikazana je u tehničkim specifikacijama u tabeli u ovom priručniku za korisnika). Ako vrata i/ili prozori nemaju ukupan otvor za ventilaciju koji odgovara ukupnoj potrošnji plina ovog uređaja kao što je navedeno u tabeli u nastavku, u tom slučaju definitivno mora postojati dodatni fiksni otvor za ventilaciju u prostoriji kako bi se osiguralo da su postignuti ukupni zahtjevi za minimalnu ventilaciju za ukupnu potrošnju plina datog uređaja. Fiksni otvori za ventilaciju mogu uključivati otvore za postojeće šuplje

cigle, otvorene dimenzije sistema kanala nape za izvlačenje itd.

Ukupna potrošnja plina (kW)	minimalni otvor za ventilaciju (cm <sup>2</sup> )
0-2	100
2-3	120
3-4	175
4-6	300
6-8	400
8-10	500
10-11,5	600
11,5-13	700
13-15,5	800
15,5-17	900
17-19	1000
19-24	1250

## Prostorije koje nemaju vrata i/ili prozore koji se otvaraju direktno prema vanjskom okruženju

Ako prostorija u kojoj je uređaj postavljen nema vrata i/ili prozor koji se mogu otvoriti direktno prema vanjskom okruženju, potrebno je potražiti druge proizvode koji definitivno osiguravaju fiksni nepodesivi otvor za ventilaciju koji se ne može zatvoriti i koji zadovoljava ukupne zahtjeve za minimalan otvor za ventilaciju za ukupnu potrošnju plina datog uređaja kao što je naznačeno u gornjoj tabeli. Takođe je potrebno pridržavati se odgovarajućih savjeta za propise objekta. Gdje prostorija ili unutrašnji prostor sadrže više od jednog plinskog uređaja, mora se osigurati dodatna ventilacija pored zahtjeva koji su dati u gornjoj tabeli. Veličina područja za dodatnu ventilaciju treba odgovarati propisima drugih plinskih uređaja.

Trebao bi takođe postojati minimalan zazor od 10 mm na donjem rubu vrata koja se otvaraju prema unutrašnjem okruženju u prostoriji gdje je proizvod postavljen. Morate osigurati da stavke poput tepiha i drugih podnih prostirki ne utiču na smanjenje zazora kada su vrata zatvorena.

Štednjak se može postaviti u kuhinju, kuhinju s trpezarijom ili dnevnu/spavaću sobu, ali ne i u prostoriju u kojoj se nalazi kada ili tuš. Štednjak se ne smije instalirati u dnevnu/spavaću sobu koja ima manje od 20 m<sup>3</sup>.

Nemojte instalirati uređaj u prostoriji ispod prizemlja ako ista nije otvorena prema prizemlju na barem jednoj strani.

## Instalacija i povezivanje

Proizvod se isključivo može instalirati i priključiti u skladu sa statutarnim pravilima instalacije.


**i** Nemojte instalirati proizvod pored frižidera ili zamrzivača. Toplota koju emitira vaš proizvod će povećati potrošnju energije uređaja za rashlađivanje.


- Proizvod trebaju prenositi najmanje dvije osobe.
- Proizvod se mora postaviti direktno na pod. Ne smije se stavljati na neku podlogu ili postolje.

**i** Ne koristite vrata i/ili ručku da biste prenosili ili premješali ovaj proizvod. Vrata, ručka ili baglame se mogu oštetiti.


### Električno spajanje

Priključite proizvod na uzemljenu utičnicu/vod koji su zaštićeni minijaturnom automatskom sklopkom odgovarajućeg kapaciteta kao što je navedeno u tabeli "Tehničke specifikacije". Neka uzemljenje uradi kvalifikovani električar dok se proizvod koristi sa ili bez transformatora. Naša kompanija neće biti odgovorna za bilo kakva oštećenja koja mogu nastati zbog korištenja proizvoda bez uzemljenja u skladu s lokalnim propisima.

**OPASNOST:**  
 Uređaj mora biti spojen na napojnu mrežu samo od strane ovlaštene i kvalifikovane osobe. Period garancije za proizvod počinje samo nakon ispravno izvršene instalacije. Proizvođač se neće držati odgovornim za oštećenja nastala usljed procedura koje su izvodile neovlaštene osobe.

**OPASNOST:**  
 Kabal za napajanje se ne smije pritiskati, savijati ili gnječiti, niti doći u kontakt sa vrućim dijelovima na proizvodu. Oštećeni kabal za napajanje se mora zamijeniti od strane kvalifikovanog električara. U suprotnom, postoji rizik od elektro šoka, kratkog spoja ili požara!

Podaci napojnog voda moraju odgovarati podacima navedenim na etiketi o tipu proizvoda. Pločica sa podacima o napajanju može se vidjeti kada se otvore vrata ili donji poklopac ili se nalazi na stražnjem zidu jedinice, ovisno o tipu jedinice. Napojni kabal vašeg proizvoda se mora slagati sa vrijednostima iz tabele "Tehničke specifikacije".

**OPASNOST:**  
 Prije započinjanja bilo kakvog rada na električnim instalacijama, iskopčajte uređaj iz napajanja. Postoji rizik od elektro šoka!

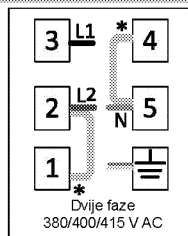
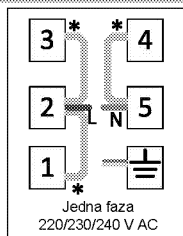
### Spajanje napojnog kabla

**i** Dok obavljate spajanje žica, morate se pridržavati nacionalnih/lokalnih propisa o električnoj energiji i morate koristiti odgovarajuću utičnicu/vod i utikač za pećnicu. U slučaju da su energetska ograničenja proizvoda izvan trenutnog kapaciteta nosivosti utikača i utičnice/voda, proizvod se mora spojiti direktno preko fiksne električne instalacije, bez korištenja utikača i utičnice/voda.

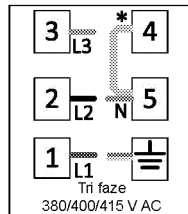
1. Nije moguće prekinuti sve polove u izvoru napajanja, jedinica prekida s minimalno 3 mm kontaktnog zazora (osigurači, prekidači linijske sigurnosti, kontaktori) mora biti spojena i svi polovi ove jedinice prekida moraju biti u blizini (ne iznad) proizvoda u skladu sa IEE direktivama. Ne pokoravanje ovim uputstvima može prouzrokovati probleme u radu i učiniti nevažećom garanciju za proizvod.

Preporučuje se dodatna zaštita putem prekidača strujnog kola zaostale električne energije.


**Ako je kabal isporučen uz ovaj proizvod:**



\* Bakreni most



2. **Za jednofazno spajanje**, spajanje izvršite kao što je označeno ispod:

- Smeđa žica = L (Faza)
- Plava žica = N (Nula)
- Zeleni/žuti kabal = (E)  (Uzemljenje)

## Plinski spoj



### OPASNOST:

Proizvod može biti spojen na sistem plinskog napajanja samo od strane ovlaštene i kvalifikovane osobe.  
Rizik od eksplozije ili trovanja zbog nestručnih popravki!  
Proizvođač se neće držati odgovornim za oštećenja nastala usljed procedura koje su izvodile neovlaštene osobe.



### OPASNOST:

Prije započinjanja bilo kakvih radova na plinskim instalacijama isključite dovod plina.  
Postoji rizik od eksplozije!

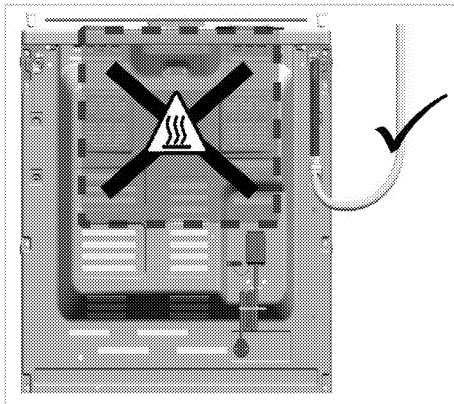


Vaš proizvod je opremljen za zemni plin (NG).

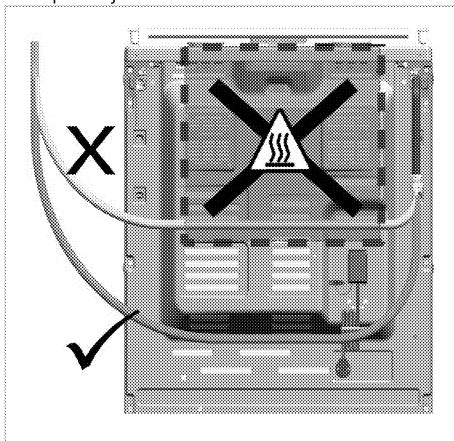
- Instalacija prirodnog plina mora biti pripremljena za skapanje prije instalacije samog proizvoda.
- Plinsko povezivanje vašeg proizvoda vrši ovlaštenu servis.
- Na ispustu instalacije za spoj prirodnog plina mora biti fleksibilna cijev i vrh te cijevi mora biti zaptiven čepom. Čep će biti uklonjen tokom priključenja i vaš proizvod će se povezati pomoću uređaja za ravno povezivanje (rukav).
- Pobrinite se da ventil prirodnog plina bude dostupan.
- Ako kasnije budete trebali koristiti vaš proizvod sa drugom vrstom plina, morate se obratiti ovlaštenom serviseru kako bi obavio potrebne preinake.

### Ako vaš proizvod ima samo jedan plinski izlaz;

- Prije spajanja plinskog crijeva, uvjerite se da je izlaz plinskog crijeva na poledini proizvoda na istoj strani proizvoda kao ventil za prirodni plin.

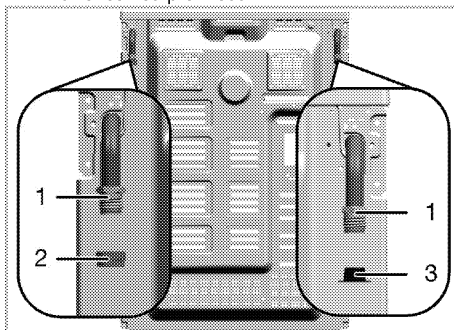


- Ako izlaz za plinsko crijevo i ventil za prirodni plin nisu smješteni na istoj strani, vodite računa da crijevo ne prolazi kroz vruću oblast kada ga povezujete.



### Ako vaš proizvod ima dva plinska izlaza;

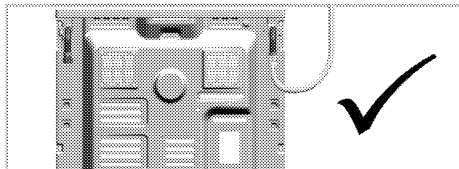
- Jedan od dva izlaza je zatvoren čepom, a drugi sa plastičnim utikačem. Lokacija čepa i plastičnog utikača mogu se razlikovati u zavisnosti od proizvoda.



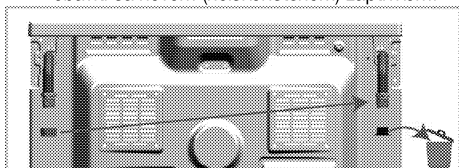


- 1 Izlaz plinskog crijeva
- 2 Čep
- 3 Plastični utikač

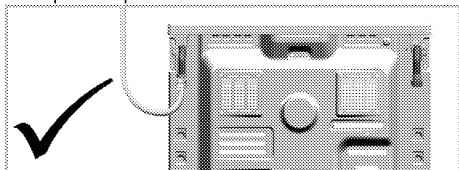
- Prije priključivanja na plin, uvjerite se da su ventil za prirodni plin i izlaz za plinsko crijevo proizvođača za povezivanje na plin na istoj strani.
- Ako su ventil za prirodni plin i izlaz za plinsko crijevo zaptiven plastičnim čepom okrenuti na istu stranu, priključite plin kao što je prikazano na slici u nastavku.



- Ako su ventil za prirodni plin i crijevo za plin zaptiveno slijepim čepom na istoj strani, uklonite i odložite plastični čep. Izvadite čep i zatvorite plinsko crijevo gdje se plinsko povezivanje neće obaviti sa novom (neiskorištenom) zaptivkom.



- Priključite plin kao što je prikazano na slici ispod na izlaz plinskog crijeva u blizini ventila za prirodni plin.



#### Rizik od požara:

Ako ne obavite povezivanje prema dolje navedenim uputstvima, postoji rizik od curenja plina i požara. **Naša kompanija se ne može smatrati odgovornom za štetu koja proizilazi iz ovoga.**

- Povezivanje plina mora obavljati samo ovlaštenu servis.
- Povezivanje plina za proizvod mora definitivno biti izvedeno kroz izlaz plinskog crijeva blizu ventila za prirodni plin.
- Plastični utikač mora biti odložen a izlaz plinskog crijeva koji se neće koristiti mora biti zaptiven čepom.
- Kada pomoću slijepog čepa zaptivate izlaz plinskog crijeva koji neće biti korišten, definitivno

morate koristiti novu nekorištenu brtvu za zaptivanje.



#### OPASNOST:

Fleksibilno plinsko crijevo se mora povezati tako da ne dolazi u kontakt sa pokretnim dijelovima oko sebe i nije zarobljeno kada se pokretni dijelovi kreću. (npr. ladice). Pored toga, ne bi trebalo da bude postavljeno na mjesta gdje bi moglo biti stisnuto.



#### OPASNOST:

Plinsko crijevo se ne smije pritiskati, savijati ili gnječiti, niti doći u kontakt sa vrućim dijelovima na proizvodu. Postoji rizik od eksplozije zbog oštećenog plinskog crijeva.

#### Provjera curenja na spojnim tačkama

- Pazite da svi regulatori na uređaju budu isključeni. Osigurajte da dovod plina bude otvoren. Pripremite pjenu od sapuna i nanesite je na spojnu tačku crijeva kako biste ustanovili ima li curenja plina.
- Na nanesenom rastvoru vode i sapuna pojaviti će se pjena ukoliko negdje curi plin. Ako se to desi, još jednom provjerite plinski spoj.
- **Ako vaš proizvod ima dva izlaza plinskog crijeva**, uvjerite se da je neiskorišten izlaz za plin zaptiven čepom. Pripremite pjenu od sapuna i nanesite je na spojnu tačku čepa kako biste ustanovili ima li curenja plina. Na nanesenom rastvoru vode i sapuna pojaviti će se pjena ukoliko negdje curi plin. Ako se to desi, još jednom provjerite spoj čepa.
- Mjesto sapuna možete koristiti komercijalno dostupne sprejeve za provjeru curenja plina.



Nikad nemojte koristiti šibicu ili upaljač kako biste provjerili da li plin negdje curi na instalacijama.

- Gurnite proizvod prema kuhinjskom zidu.
- **Podešavanje nožica pećnice**  
Vibriranje tokom kuhanja može prouzrokovati pomjeranje posuda za kuhanje. Ova opasna situacija se može izbjeći ukoliko je proizvod ravan i balansiran.  
Radi vaše vlastite sigurnosti molimo osigurajte da je proizvod ravan tako što ćete podesiti njegove nožice na dnu okrećući ih lijevo ili desno i poravnajte sa radnom pločom.

#### Završna provjera

1. Ponovo spojite proizvod na električnu mrežu.
2. Provjerite električne funkcije.

3. Otvorite plinski dovod.
4. Provjerite da li su svi plinski spojevi čvrsto stegnuti i nepropusni.
5. Upalite gorionike i provjerite izgled plamena.



Plamen mora biti plav i imati pravilan oblik. Ako je plamen žučkast, provjerite da li je kapica gorionika nalegla pravilno ili očistite gorionik.

### **Odlaganje starog proizvoda.**

- Sačuvajte originalnu kutiju u koju je proizvod bio upakovan i transportujte proizvod u istoj. Slijedite uputstva na kutiji. Ukoliko nemate originalnu kutiju, upakujte proizvod u zaštitnu foliju sa zračnim mjehurićima ili debelu kartonsku ambalažu i čvrsto omotajte ljepljivom trakom.

- Da biste spriječili da žičana polica i pleh oštete vrata pećnice, stavite komad kartona sa unutrašnje strane vrata pećnice, tako da odgovara položaju pleha. Zalijepite trakom vrata pećnice za bočne zidove.
- Osigurajte kape i postolja za posude ljepljivom trakom.
- Ne koristite vrata ili ručku da biste podizali ili premještali ovaj proizvod.



Nemojte stavljati nikakve predmete na proizvod i pomjerajte ga u uspravnom položaju.



Provjerite generalno izgled vašeg proizvoda radi bilo kakvih oštećenja koja su se mogla desiti tokom transporta.

## 4 Priprema

### Savjeti za uštedu energije

Slijedeće informacije će vam pomoći da koristite vaš uređaj na ekološki način i da štedite energiju:

- Koristite emajlirane plehove ili plehove tamne boje u pećnici jer će time biti ostvaren bolji prenos toplote.
- Prilikom pripremanja jela, izvršite operacije prethodnog zagrijavanja ako se to savjetuje u korisničkom priručniku ili uputama za kuhanje.
- Ne otvarajte često vrata pećnice za vrijeme kuhanja.
- Pokušajte istovremeno kuhati (spremati) više od jednog jela u pećnici kad god je to moguće. Možete kuhati tako što ćete staviti dvije posude za kuhanje na rešetku roštilja.
- Spremajte više jela jedno za drugim. Pećnica će već biti vruća.
- Možete uštediti energiju tako što ćete isključiti vašu pećnicu par minuta prije isteka vremena kuhanja. Ne otvarajte vrata pećnice.
- Odmrzните zamrznuta jela prije kuhanja.
- Koristite šerpe/tave sa poklopcima za kuhanje. Ukoliko nema poklopca, potrošnja energije se može uvećati 4 puta.
- Odaberite gorionik koji je prikladan za veličinu dna posude koju ćete koristiti za kuhanje. Uvijek odaberite ispravno veličinu posude za spremanje vaših jela. Veće posude zahtijevaju više energije.
- Vodite računa o tome da koristite posude sa ravnim dnom kada kuhate na električnoj ploči za kuhanje. Posude sa debelim dnom će omogućiti bolju provodljivost toplote. Možete postići uštedu energije i do 1/3.
- Posude za kuhanje moraju biti kompatibilne sa kolima za kuhanje. Dno posude ne smije biti manje nego što je kolo na kojem će se kuhati.
- Održavajte kola za kuhanje i dna posuda čistim. Prljavština će umanjiti provodljivost toplote između kola za kuhanje i dna posude.
- Za duža kuhanja, isključite kola za kuhanje 5 ili 10 minuta prije isteka vremena kuhanja. Možete postići uštedu energije i do 20% koristeći preostalu toplotu.

### Prva upotreba

#### Prvo čišćenje uređaja



Neki deterdženti i materijali za čišćenje mogu izazvati oštećenja na površini. Nemojte koristiti agresivne deterdžente, praškove/kreme za čišćenje ili bilo kakve oštre predmete dok čistite.

1. Uklonite sve materijale korištene za pakovanje
2. Obrišite površine uređaja vlažnom krpom ili spužvom i posušite krpom.

### Početno zagrijavanje

Uključite uređaj da grije nekih 30 minuta i zatim ga isključite. Na taj način, bilo kakvi ostaci proizvodnje ili slojevi će sagorjeti i biti uklonjeni.



#### UPOZORENJE

Vruće površine izazivaju opekotine!

Uređaj može biti vruć kada se koristi. Nikad nemojte dirati vruće gorionike, unutrašnje dijelove pećnice, grijalice itd. Držite djecu dalje od uređaja.

Uvijek koristite rukavice za pećnicu otporne na vrućinu kada stavljate ili uklanjate posude u/iz vrele pećnice.

### Električna pećnica

1. Izvadite sve pladnjeve za pečenje i rešetku roštilja van iz pećnice.
2. Zatvorite vrata pećnice.
3. Odaberite položaj Static.
4. Odaberite najveću jačinu roštilja; pogledajte *Kako rukovati električnom pećnicom, Stranica 24*.
5. Pustite pećnicu da radi oko 30 minuta.
6. Isključite vašu pećnicu; Pogledajte *Kako rukovati električnom pećnicom, Stranica 24*

### Pećnica sa roštiljom

1. Izvadite sve pladnjeve za pečenje i rešetku roštilja van iz pećnice.
2. Zatvorite vrata pećnice.
3. Odaberite najveću jačinu roštilja; pogledajte *Kako rukovati roštiljom, Stranica 26*.
4. Pustite pećnicu da radi oko 30 minuta.
5. Isključite vašu pećnicu; Pogledajte *Kako rukovati roštiljom, Stranica 26*

### Kola (ringle) za kuhanje

1. Svi ostaci iz procesa proizvodnje ili slojevi sredstava za konzerviranje moraju sagorjeti prije prve upotrebe. Uključite kola i pustite da rade na nivou srednje temperature oko 8 minuta bez ikakvih posuda na kolima. Nikakve posude ili spremnici ne bi trebali biti stavljeni na kola za vrijeme ove procedure.



Dim i miris mogu se javiti tokom nekoliko sati prilikom inicijalnog puštanja u rad. To je sasvim normalno. Osigurajte da je prostorija dobro ventilirana da bi se uklonio dim i miris. Izbjegavajte direktno inhaliranje dima i mirisa koji se ispušta.

## 5 Kako koristiti ploču za kuhanje

### Opšte informacije o kuhanju



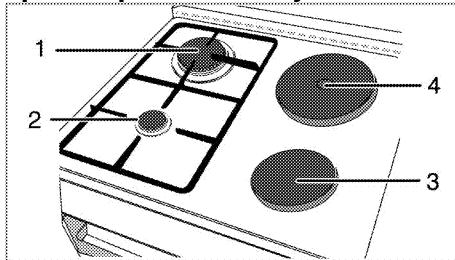
Nikada nemojte puniti tavu uljem više od jedne trećine. Ne ostavljajte ploču za kuhanje bez nadzora kada se zagrijava ulje. Pregrijano ulje predstavlja rizik od požara. **Nikada nemojte pokušavati gasiti mogući požar vodom!** Kada je ulje zahvaćeno vatrom, pokrijte ga protivpožarnim ćebetom ili vlažnom krpom. Isključite ploču za kuhanje ako je bezbjedno da se to uradi i pozovite vatrogasnu službu.

- Prije prženja hrane, uvijek ju dobro posušite i nježno stavite u vrelo ulje. Osigurajte da se smrznuta hrana u potpunosti otopi prije prženja.
- Nemojte pokrivati posude koje koristite kada zagrijavate ulje.
- Postavite tave i duboke tave na način da njihove ručke ne budu iznad ringle kako biste spriječili grijanje ručki. Nemojte stavljati na ringle posude koje nisu balansirane i koje se lako naginju.
- Ne stavljajte prazne posude i duboke tave na zone kuhanja koje su uključene. Mogle bi se oštetiti.
- Ako uključite zone kuhanja da rade bez posude ili duboke tave na njima to može prouzrokovati oštećenja na proizvodu. Isključite zone kuhanja nakon završetka kuhanja.
- Obzirom da površine na proizvodu mogu biti vruće, ne stavljajte plastične i aluminijske posude na njih. Takve posude se ne bi trebale koristiti niti za čuvanje hrane.
- Koristite tave ili drugo posuđe samo sa ravnim dnom.
- Stavite odgovarajuću količinu hrane u duboke tave ili drugo posuđe. Stoga nećete trebati činiti bilo kakva nepotrebna čišćenja jer ćete time spriječiti da jela kipe van. Ne stavljajte poklopce tava ili drugog posuda na zone kuhanja. Stavite tave tako da su one centrirane na zoni kuhanja. Kada želite premjestiti posudu na drugu zonu kuhanja, podignite je i postavite na zonu kuhanja koju odaberete, nemojte je vući po površini.

### Plinsko kuhanje

- Veličina posude i plamena moraju odgovarati jedno drugom. Prilagodite plinski plamen tako da on ne premašuje dno posude i centrirajte posudu na nosaču za posude.

### Upotreba ploče za kuhanje



- 1 Brzi gorionik 22-24 cm
- 2 Pomoćni gorionik 12-18 cm
- 3 Ringla 14-16 cm
- 4 Ringla 18-20cm je popis predloženih prečnika posuda koje treba koristiti na odgovarajućim gorioncima.



### UPOZORENJE

Nemojte koristiti posude za kuhanje čije dimenzije premašuju gore navedena ograničenja. Korištenje većih posuda izaziva opasnost od trovanja ugljen monoksidom, od pregrijavanja susjednih površina i upravljačkih tipki. Korištenje manjih posuda izaziva opasnost od opekotina plamenom.

Simbol velikog plamena označava najjači nivo kuhanja, a simbol malog plamena označava najslabiji nivo kuhanja. U isključenom položaju (prema gore), plin ne dolazi do gorionika.

### Paljenje plinskih gorionika



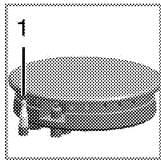
Plinski gorionici se pale pomoću tipke za paljenje.

1. Držite tipku gorionika pritisnutom.
2. Okrenite je u smjeru suprotnom od smjera kretanja kazaljke na satu do položaja simbola velikog plamena.
3. Pritisnite i otpustite tipku za paljenje. Ponovite postupak dok se plin ne upali.
4. Podesite na željenu jačinu kuhanja.

## Isključivanje plinskih gorionika

Okrenite tipku zone za zadržavanje toplote u položaj isključeno (prema gore).

## Sigurnosni sistem za prekid dotoka plina (kod modela sa termičkom komponentom)



1. Sigurnosne mjere prekida plina

Kada brojač izmjeri suprotno ispuhivanje zbog prekomjernog toka fluida u gorionicima, sigurnosni mehanizam isključuje i prekida plin.

- Gurnite tipku prema unutra i okrenite je u smjeru suprotnom od smjera kretanja kazaljke na satu radi paljenja.
- Nakon što se plin upali, držite tipku pritisnutom još za 3-5 sekundi duže da omogućite sigurnosni sistem.
- Ako se plin ne upali nakon što ste pritisnuli i otpustili tipku, ponovite istu proceduru držeći tipku pritisnutom 15 sekundi.



### OPASNOST:

Otpustite tipku ukoliko se gorionik nije upalio u roku od 15 sekundi.

Sačekajte najmanje 1 minutu prije ponovnog pokušaja. Postoji rizik od akumulacije plina i eksplozije!

## Uoptreba ringli

Tipke na ploči za kuhanje mogu se okretati u oba pravca na način koji obezbjeđuje kontrolu temperature korak po korak.



Ako je ploča za kuhanje opremljena s obilježjem "Booster" funkcije za ringle, odgovarajuća ringla će biti označena crvenom tačkom.

## Zaštita od pregrijavanja

Ringle čija je snaga preko 1000 W opremljene su sa zaštitom od pregrijavanja. Zaštita od pregrijavanja umanjuje snagu ringle u slijedećim slučajevima:

- Ukoliko nema nikakve posude ili duboke tave na ringli.
- Ukoliko se na ringli nalazi prazna posuda ili duboka tava.
- Ukoliko dno posude ili duboke tave nije ravno.

## Uključivanje ringli

Koristite tipke za ringle da rukujete ringlama. Podesite tipke za ringle na odgovarajući nivo kako biste postigli željenu jačinu kuhanja.

Jačina kuhanja	1	2 – 3	4 – 6
	zagrijavanje	pirjanje, krčkanje	kuhanje, prženje, vrenje

## Isključivanje ringli

Okrenite tipku za ringle u položaj "OFF" (isključeno) (prema gore).

## 6 Kako rukovati pećnicom

### Opće informacije o pečenju, prženju i roštiljanju



#### OPASNOST:

Vodite računa kada otvarate vrata pećnice jer iz njene unutrašnjosti može izlaziti para. Izlazeća para može prouzrokovati opekotine na vašim rukama, licu i/ili očima.

#### Savjeti za pečenje

- Koristite odgovarajuće obložene neljepljive metalne ploče i aluminijske posude ili silikonske kalupe otporne na toplotu.
- Maksimalno koristite prostor na polici.
- Postavite kalup za pečenje na srednju policu.
- Odaberite ispravan položaj police prije nego uključite pećnicu ili roštilj. Ne mijenjajte položaj police kada je pećnica vruća.
- Držite vrata pećnice zatvorenim.

#### Savjeti za prženje

- Tretiranje cijelog pileta, ćurke i velikih komada mesa sa začinima poput limunovog soka i crnog bibera prije kuhanja povećati će performanse kuhanja.
- Pečenje mesa s kostima traje oko 15 do 30 minuta duže u poređenju sa prženjem mesa bez kosti iste veličine.
- Svaki centimetar debljine mesa zahtijeva vrijeme kuhanja otprilike 4 do 5 minuta.
- Pustite da meso odstoji u pećnici oko 10 minuta nakon završetka kuhanja. Sok se bolje raspoređuje po cijelom komadu pečenja i ne curi kada se meso siječe.
- Ribu treba staviti na srednju ili donju policu u gladnju otpornom na toplotu.

#### Savjeti za roštiljanje

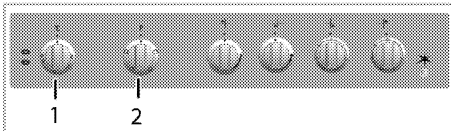
Kada se meso, riba i perad pripremaju na roštilju, brzo poprime smeđu boju, imaju finu koru i ne isušuju se. Ravni komadi, mesni ražnjići i kobasice posebno su pogodni za roštilj, kao i povrće sa velikom količinom tečnosti kao što su paradajz i crveni luk.

- Rasporedite komadiće koji će se roštiljati na rešetki ili na plehu za pečenje sa rešetkom na takav način da pokriveni prostor ne prelazi veličinu grijača.
- Gurnite rešetku ili pleh za pečenje sa rešetkom na željeni nivo u pećnicu. Ako roštiljate na rešetki, gurnite pleh za pečenje na donju policu kako bi se pokupila masnoća. Dodajte malo vode u pleh za pečenje radi lakšeg čišćenja.



Hrana koja nije pogodna za roštiljanje nosi sa sobom rizik od požara. Roštiljajte samo hranu koja je pogodna za veliku toplotu prženja. Nemojte stavljati hranu suviše daleko u pozadinu roštilja. To je najtopliji dio pećnice i zamašćena hrana se može zapaliti.

### Kako rukovati električnom pećnicom Odaberite temperaturu i način rada



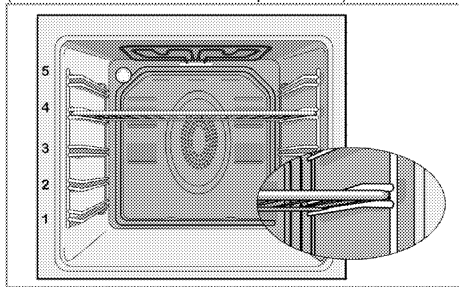
- 1 Termostatska sklopka
- 2 Funkcijska sklopka

1. Podesite tipku temperature na željenu temperaturu.
  2. Podesite funkcijsku sklopku na željeni režim rada.
- » Pećnica se zagrijava do podešene temperature i održava je. Tokom zagrijavanja, lampica temperature ostaje uključena.

#### Isključivanje električne pećnice

Okrenite funkcijsku sklopku i tipku za temperaturu u položaj isključeno (prema gore).

Važno je pravilno postaviti žičanu rešetku na žičani nosač. Žičana rešetka mora biti umetnuta između nosača kao što je prikazano na slici. Nemojte dopustiti da žičana rešetka stoji naslonjena na stražnji zid pećnice. Kliznite vašu rešetku na prednji odjeljak nosača i namjestite je uz pomoć vrata kako biste postigli dobre performanse roštiljanja. (Varira u ovisnosti od modela proizvoda.)



#### Načini rada

Redoslijed režima rada prikazan ovdje može odstupati od redoslijeda na vašem proizvodu.

## Gornje i donje zagrijavanje



Gornje i donje zagrijavanje su u funkciji. Hrana je zagrijana istovremeno s donje i gornje strane. Na primjer, to je pogodno za kolače, tjestenine, ili kolače i kaserole u kalupima za pečenje. Kuhanje samo sa jednim plehom.

## Zagrijavanje dna



Samo zagrijavanje donje strane je u funkciji. To je pogodno za pizze i za kasnije rumenjenje hrane s donje strane.



Ova funkcija mora biti korištena za lako čišćenje parom takođe.

## Roštilj



Mali roštilj na stropu pećnice je u funkciji. Podesno za roštiljanje.

- Stavite male ili srednje velike porcije na odgovarajuću policu ispod grijača roštilja za prženje.
- Podesite temperaturu na maksimum.
- Okrenite hranu nakon što protekne polovina vremena roštiljanja.

## Puni roštilj



Veliki roštilj na stropu pećnice je u funkciji. Podesno za roštiljanje velikih količina mesa.

- Stavite velike ili srednje velike porcije na odgovarajuću policu ispod grijača roštilja za roštiljanje.
- Podesite temperaturu na maksimum.
- Okrenite hranu nakon što protekne polovina vremena roštiljanja.

## Tabela vremena kuhanja



Vremena u ovoj karti služe kao vodič. Vremena mogu varirati zbog temperature hrane, debljine, vrste i vaših vlastitih preferencija u vezi kuhanja.

## Pečenje i prženje



1. polica pećnice je donjapolica.

Posuda	Broj nivoa kuhanja		Položaj police	Temperatura (°C)	Vrijeme kuhanja (približno u min.)
**Kolači u plehu	Jedan nivo		4	175	30 ... 35
**Kolači u kalupu	Jedan nivo		2	175	40 ... 50
**Kolači u papiru za kuhanje	Jedan nivo		3	175	20 ... 30
**Biskvit kolač	Jedan nivo		3	200	5 ... 10
**Suhi kolači	Jedan nivo		3	175	20 ... 25
**Kolači od tijesta	Jedan nivo		2	200	30 ... 40
**Filovana tjestenina	Jedan nivo		2	200	25 ... 35
**Kvasac	Jedan nivo		2	200	35 ... 45
**Lazanje	Jedan nivo		2 - 3	200	30 ... 40
**Pizza	Jedan nivo		2	200 ... 220	15 ... 20
Govedi odrezak (cijeli) / pržen	Jedan nivo		2	25 min. 250/max. zatim 180 ... 190	100 ... 120
Janjeći but (lonac)	Jedan nivo		2	25 min. 220/max. zatim 180 ... 190	70 ... 90
Pileće pečenje	Jedan nivo		2	15 min. 250/max. zatim 190 ...	55 ... 65
Čurka (5,5 kg)	Jedan nivo		2	25 min. 250/max. zatim 190 ...	150 ... 210
Riba	Jedan nivo		3	200	20 ... 30

(\*\*) Za procese kuhanja koji zahtijevaju prethodno zagrijavanje, unaprijed zagrijte pećnicu na početku procesa dok pećnica ne dostigne podešenu temperaturu.

## Upute za pečenje kolača

- Ako je kolač previše suh, povećajte temperaturu za nekih 10 i smanjite vrijeme kuhanja.
- Ako je kolač vlažan, koristite manje tečnosti ili snizite temperaturu za 10 .
- Ako je kolač previše taman na vrhu, postavite ga na nižu policu, snizite temperaturu i povećajte vrijeme kuhanja.
- Ako je skuhanu dobro s unutrašnje strane ali je gnjecavo s vanjske strane koristite manje tečnosti, snizite temperaturu i povećajte vrijeme kuhanja.

## Upute za pečenje tijesta

- Ako je kolač previše suh, povećajte temperaturu za nekih 10 i smanjite vrijeme kuhanja. Navlažite slojeve tijesta sosom od mlijeka, ulja, jaja i jogurta.
- Ako traje predugo da se kolač ispeče, pobrinite se da debljina tijesta koje ste pripremili ne premašuje dubinu pleha.
- Ako je gornja strana kolača postala braonkasta, ali donja strana još nije kuhana, uvjerite se da količina sosa koji se upotrijebili za kolač nije prevelika na dnu kolača. Pokušajte ravnomjerno rasporediti sos između i po slojevima tijesta kako bi ravnomjerno porumenili.



Pecite tijesto u skladu sa režimom rada i temperaturom koji su dati u tabeli kuhanja. Ako donji dio još nije dovoljno rumen, slijedeći put ga stavite na jednu policu niže.

## Uputstva za kuhanje povrća

- Ako jelo od povrća ostaje bez sokova i postaje previše suho, kuhajte ga u tavi sa poklopcem umjesto u plehu. Zatvorene posude će sačuvati sokove koje daje jelo.
- Ako se jelo od povrća ne skuha, prokuhajte povrće unaprijed ili ga pripremite kao konzerviranu hranu i stavite u pećnicu.

## Kako rukovati roštiljom



### UPOZORENJE

Zatvorite vrata pećnice tokom pečenja na roštilju.  
Vruće površine mogu izazvati opekotine!

## Uključivanje roštilja

1. Okrenite funkcijski sklopku do željenog simbola roštilja.
  2. Zatim odaberite željenu temperaturu roštilja.
  3. Ako je potrebno, uradite prethodno zagrijavanje oko 5 minuta.
- » Lampica temperature se pali.

## Isključivanje roštilja

1. Okrenite funkcijsku sklopku u položaj Off (isključeno) (prema gore).



Hrana koja nije pogodna za roštiljanje nosi sa sobom rizik od požara.  
Roštiljajte samo hranu koja je podesna za veliku toplotu prženja.  
Nemojte stavljati hranu suviše daleko u pozadinu roštilja. To je najtopliji dio pećnice i zamašćena hrana se može zapaliti.

## Vrijeme pripremanja hrane korištenjem funkcije roštilja

### Roštiljanje električnim roštiljom

Hrana	Položaj police	Preporučena temperatura (°C)**	Vrijeme roštiljanja (približno)
Riba	4...5	250/max	20...25 min. #
Pileći odrezak	4...5	250/max	25...35 min.
Sjeckana janjetina	4...5	250/max	20...25 min.
Goveđe pečenje	4...5	250/max	25...30 min. #
Sjeckana teletina	4...5	250/max	25...30 min. #
Tost *	4	250/max	1...3 min.

# ovisno o debljini

\*Prethodno zagrijati tokom 5 minuta

\*\*Ako temperaturu roštilja vašeg proizvođača nije moguće podesiti, roštilj će raditi na maksimalnoj temperaturi.



## 7 Održavanje i njega

### Opšte informacije

Životni vijek proizvoda će biti produžen, a učestali problemi će se smanjiti ukoliko se proizvod čisti u redovnim intervalima.



#### OPASNOST:

Isključite uređaj s glavnog napajanja prije započinjanja aktivnosti oko održavanja i čišćenja.  
Postoji rizik od elektro šoka!



#### OPASNOST:

Sačekajte da se uređaj ohladi prije čišćenja.  
Vruće površine mogu izazvati opekotine!

- Očistite temeljito proizvod nakon svake upotrebe. Na taj način će biti moguće lakše uklanjanje ostataka kuhanja, te oni neće gorjeti prilikom narednog korištenja uređaja.
- Za čišćenje uređaja nisu potrebna posebna sredstva za čišćenje. Koristite toplu vodu s tečnošću za pranje, mekanu krpu ili spužvu da očistite proizvod i zatim ga prebrišete suhom krpom.
- Uvijek osigurajte da bilo kakav višak tečnosti bude temeljito obrisano nakon čišćenja i sve što je proljevano da se odmah posuši brisanjem.
- Nemojte koristiti sredstva za čišćenje koja sadrže kiseline ili hlorid da biste čistili površine od nehrđajućeg materijala ili od inoksa niti za čišćenje ručke. Koristite mekanu krpu sa tečnim deterdžentom (ne abrazivnim) da prebrišete te dijelove, obratite pažnju da brišete u jednom smjeru.



Neki deterdženti i materijali za čišćenje mogu izazvati oštećenja na površini.

Nemojte koristiti agresivne deterdžente, praškove/kreme za čišćenje ili bilo kakve oštre predmete dok čistite.



Nemojte koristiti čistače na paru da čistite uređaj jer bi to moglo prouzrokovati strujni udar.

### Čišćenje ploče za kuhanje.

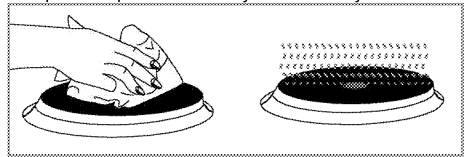
#### Plinske ploče za kuhanje

1. Uklonite i očistite nosače posuda i čepove gorionika.
2. Očistite ploču za kuhanje.
3. Vratite čepove gorionika na mjesto i budite sigurni da su nalegli ispravno.

4. Kada postavljate gornje rešetke, obratite pažnju da nosače posuda postavite tako da gorionici budu centrirani.

#### Električne ploče za kuhanje

1. Isključite kola za kuhanje i sačekajte da se ohlade
2. Ako je potrebno, očistite kola sa sredstvom za čišćenje (sredstva za čišćenje/omekšivače možete pronaći u specijalizovanim prodavnicama).
3. Zagrijete samo na par minuta nakon čišćenja kako bi se njihovi gornji odjelci osušili.
4. Redovno nanosite tanki sloj mašinskog ulja po površini ploče za kuhanje kako biste je zaštitili.



#### Čišćenje kontrolne ploče

Očistite kontrolnu ploču i kontrolne tipke vlažnom krpom te ih potom osušite.



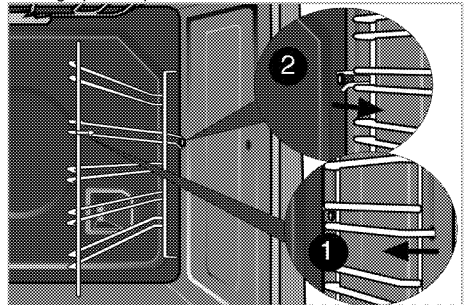
Ako je proizvod opremljen dugmadima/tipkama, nemojte uklanjati kontrolnu dugmad da čistite kontrolnu tablu. Kontrolna tabla bi se mogla oštetiti!

#### Čišćenje pećnice

##### Čišćenje bočnih zidova (Varira u ovisnosti od modela proizvoda.)

(Ova funkcija je opcionalna. Ona se možda neće nalaziti na vašem proizvodu.)

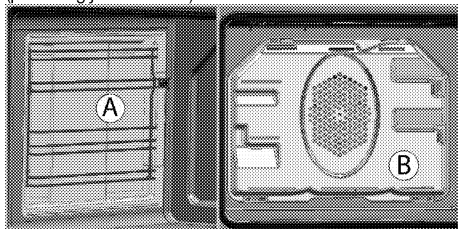
1. Uklonite prednji dio bočnog nosača tako što ćete ga povući u smjeru suprotnom od bočnog zida.
2. Uklonite bočni nosač u potpunosti tako što ćete ga povući prema sebi.



#### Katalitički zidovi

(Ova funkcija je opcionalna. Ona se možda neće nalaziti na vašem proizvodu.)

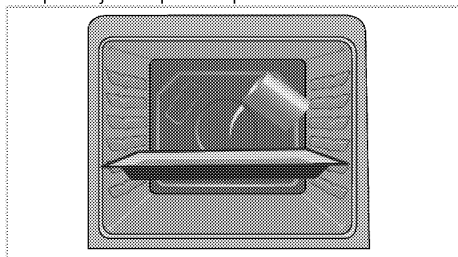
Unutrašnji bočni zidovi (A) i/ili stražnji zid (B) vašeg proizvoda mogu biti obloženi katalitičkim emajlom. Katalitički zidovi imaju svijetlu mat boju i poroznu površinu. Katalitički zidovi pećnice se ne trebaju čistiti. Porozne površine katalitičkih zidova čiste se automatski upijanjem i pretvaranjem prolivenog ulja (para i ugljični dioksid).



### Lako čišćenje parom

To osigurava lako čišćenje jer se prljavština (bez predugog čekanja) omekša pomoću pare koja se formira unutar pećnice i vodenih kapljica koje se kondenzuju na unutrašnjim površinama pećnice.

1. Uklonite sav pribor iz pećnice.
2. Ulijte 500 ml vode u pladanj pećnice i postavite pladanj na 2. policu u pećnici.



3. Postavite pećnicu na jednostavan način rada čišćenje parom i rade na 100 ° C 25 minuta.
4. Otvorite vrata i obrišite unutrašnje površine u pećnici sa vlažnom spužvom ili krpom.
5. Koristite toplu vodu s tečnošću za pranje, mekanu krpu ili spužvu da očistite postojaća zaprljanja i zatim prebrišite suhom krpom.

### Čišćenje vrata pećnice

Da biste očistili vrata pećnice, koristite toplu vodu s tečnošću za pranje, mekanu krpu ili spužvu da očistite proizvod i zatim prebrišite suhom krpom.

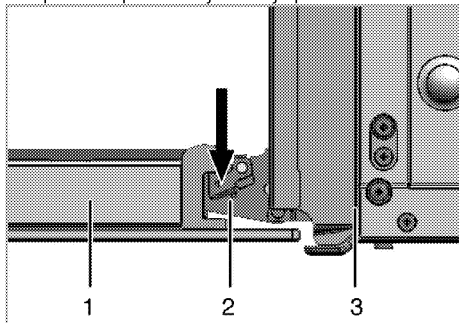


Nemojte koristiti bilo kakva gruba abrazivna sredstva za čišćenje ili oštre metalne strugače za čišćenje vrata pećnice. Njima se može izgubiti površina i uništiti staklo.

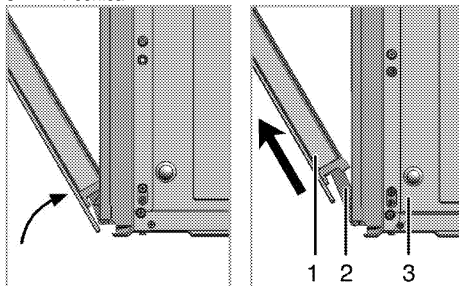
### Skidanje vrata pećnice

1. Otvorite prednja vrata (1).

2. Otvorite spojnice na kućištu šarke (2) na desnoj i lijevoj strani prednjih vrata tako što ćete ih pritisnuti prema dolje kako je prikazano na slici.



- 1 Prednja vrata
- 2 Šarka
- 3 Pećnica



3. Pomjerite prednja vrata do polovine.
4. Uklonite prednja vrata povlačenjem prema gore kako biste ih oslobodili veze sa šarkama na lijevoj i desnoj strani.



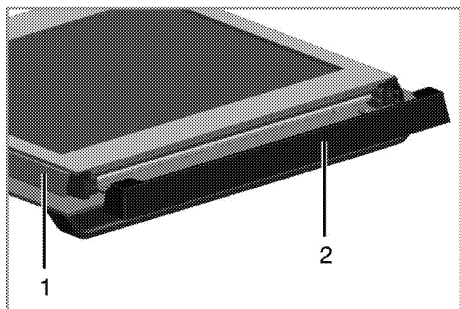
Koraci koje ste izvodili prilikom procesa skidanja trebali bi biti ponovljeni obrnutim redoslijedom kada sklapate vrata. Nemojte zaboraviti zatvoriti spojnice na kućištu šarki prilikom postavljanja vrata.

### Uklanjanje unutrašnjeg stakla na vratima

(Ova funkcija je opcionalna. Ona se možda neće nalaziti na vašem proizvodu.)

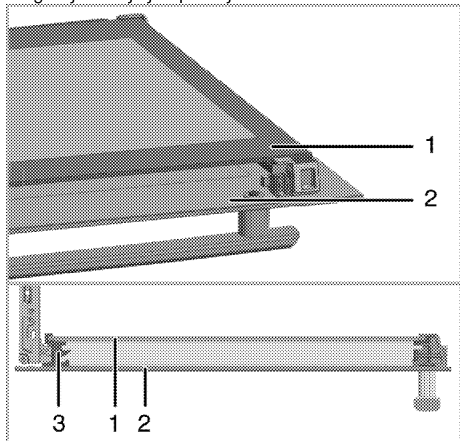
Unutrašnja staklena ploča na vratima pećnice može se skinuti radi čišćenja.

Otvorite vrata pećnice.



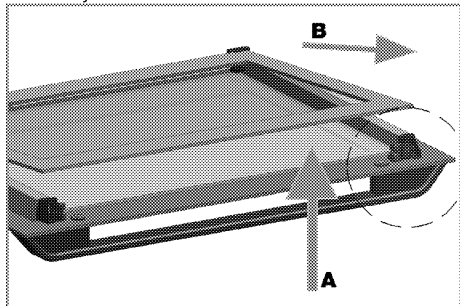
- 1 Okvir  
2 Plastični dio

Povucite prema sebi i uklonite plastični dio postavljen na gornjem odjeljku prednjih vrata.



- 1 Unutrašnja staklena ploča  
2 Vanjska staklena ploča  
3 Plastični prorez staklene ploče - donji

Kao što je prikazano na slici, lagano podignite najskrovitiju staklenu ploču (1) u smjeru **A** i povucite je van u smjeru **B**.



Kada postavljate najskrovitiju staklenu ploču (1), budite sigurni da ispisana strana ploče bude okrenuta prema unutrašnjoj staklenoj ploči.

Važno je da se donji ugao unutrašnje staklene ploče smjesti u donji plastični prorez.  
Gurajte plastični dio prema okviru dok ne čujete zvuk "klik".

## Zamjena svjetla u pećnici



### OPASNOST:

Prije zamjene sijalice u pećnici, budite sigurni da je uređaj isključen iz elektro mreže i ohlađen kako biste izbjegli rizik od elektro šoka.

Vruće površine mogu izazvati opekotine!



Lampica u pećnici je specijalna električna sijalica koja može podnijeti temperaturu i do 300 °C. Pogledajte *Tehničke specifikacije, Stranica 13* za više detalja. Lampice za pećnicu se mogu naći kod Ovlaštenih Servisera.



Pozicija lampice može biti drugačija od one prikazane na slici.



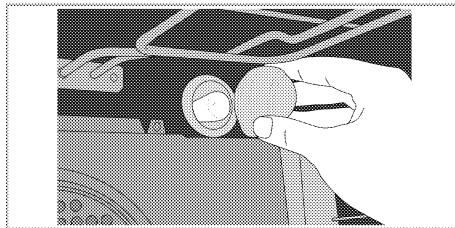
Lampica koja se koristi u ovom uređaju nije pogodna za osvijetljavanje prostorija u domaćinstvu. Namijenjena upotreba za ovu lampicu je da pomogne korisniku da vidi namirnice.



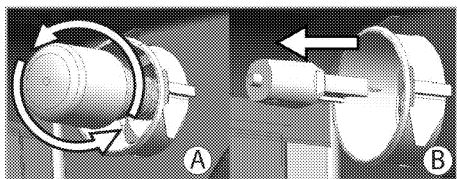
Lampice koje se koriste u ovom uređaju moraju podnositi ekstremne fizičke uslove kao što su temperature iznad 50°C.

## Ukoliko je vaša pećnica opremljena okruglom lampicom:

1. Iskopčajte proizvod sa napajanja.
2. Okrenite stakleni poklopac u smjeru suprotnom od smjera kretanja kazaljke na satu kako biste ga skinuli.



3. Ako je lampica vaše pećnice tipa (A), kako je prikazano na slici u nastavku, izvadite je tako što ćete je rotirati kao što je prikazano i zamijenite je. Ako je lampica tipa (B), povucite je i izvadite kao što je prikazano na slici i zamijenite je.



4. Vratite stakleni poklopac na mjesto.

## 8 Rješavanje problema

### Pećnica ispušta paru kada je u upotrebi.

- Uobičajeno je da tokom rada iz uređaja izlazi para. >>> *Nije riječ o kvaru.*

### Proizvod odašilje metalne zvukove dok se zagrijava i hladi.

- Kada se metalni dijelovi zagrijavaju, mogu se širiti i praviti zvukove. >>> *Nije riječ o kvaru.*

### Proizvod ne radi.

- Osigurač napajanja je pokvaren ili je pregorio. >>> *Provjerite osigurače u kutiji s osiguračima. Ako je potrebno, zamijenite ih ili vratite u početni položaj.*
- Proizvod nije uključen u (uzemljen) utičnicu. >>> *Provjerite utikač na kabl.*

### Svjetlo u pećnici ne radi.

- Sijalica u pećnici je pokvarena. >>> *Zamijenite sijalicu u pećnici.*
- Napajanje je prekinuto. >>> *Provjerite da li ima napajanja. Provjerite osigurače u kutiji s osiguračima. Ako je potrebno, zamijenite ih ili vratite u početni položaj.*

### Pećnica se ne zagrijava.

- Funkcija i/ili temperatura nisu podešene. >>> *Podesite funkciju i temperaturu pomoću sklopke/tipke za odabir funkcije ili temperature.*
- Napajanje je prekinuto. >>> *Provjerite da li ima napajanja. Provjerite osigurače u kutiji s osiguračima. Ako je potrebno, zamijenite ih ili vratite u početni položaj.*

### Nema iskre paljenja.

- Nema struje. >>> *Provjerite osigurače u kutiji s osiguračima.*

### Nema plina

- Glavni plinski ventil je zatvoren. >>> *Otvorite plinski ventil.*
- Plinski ventil je kriv. >>> *Pravilno montirajte plinsku cijev.*

### Gorionici ne gore pravilno ili ne gore nikako.

- Gorionici su prljavi. >>> *Očistite komponente gorionika.*
- Gorionici su mokri. >>> *Osušite komponente gorionika.*
- Kapica gorionika nije bezbjedno montirana. >>> *Pravilno montirajte kapicu gorionika.*
- Plinski ventil je zatvoren. >>> *Otvorite plinski ventil.*
- Plinski cilindar je prazan (kada se koristi LPG). >>> *Zamijenite plinski cilindar.*

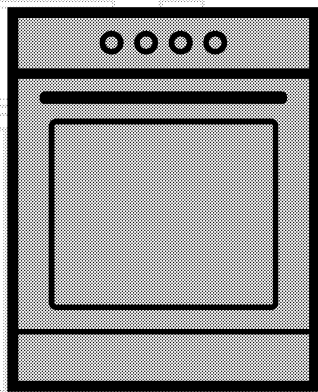


Ukoliko ne možete ukloniti problem čak i ako ste implementirali uputstva iz ovog odjeljka, posavjetujte se sa ovlaštenim serviserom ili trgovcem kod kojeg ste kupili vaš proizvod. Nikada ne pokušavajte sami popravljati neispravan proizvod.



# Pećnica

Korisnički priručnik



SB

**beko**

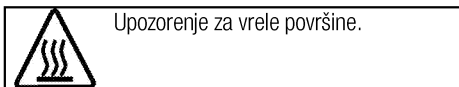
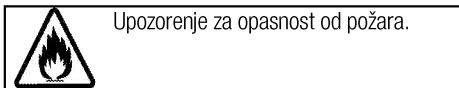
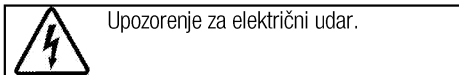
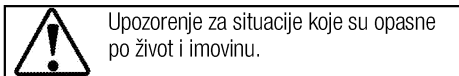
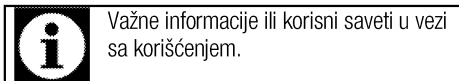
## Molimo da prvo pročitate ovo uputstvo!

Poštovani korisniče,  
zahvaljujemo na izboru Beko proizvoda. Nadamo se da ćete na najbolji mogući način iskoristiti Vaš proizvod, koji je napravljen sa visokim kvalitetom i vrhunskom tehnologijom. Stoga, molimo da pročitate ovo celo korisničko uputstvo i sva prateća dokumenta pažljivo pre korišćenja proizvoda i čuvajte ih kao podsetnik za buduću upotrebu. Ako ovaj proizvod predate trećem licu, priložite i ovo korisničko uputstvo. Pratite sva upozorenja i informacije iz korisničkog uputstva.

Imajte na umu da ovo korisničko uputstvo može da se primeni i na nekoliko drugih modela. Razlike između modela će biti naznačene u priručniku.

### Objašnjenje simbola

U ovom korisničkom uputstvu su korišćeni sledeći simboli:



**Arçelik A.Ş.**  
Karaağaç caddesi No:2-6  
34445 Sütlüce/Istanbul/TURKEY  
Made in TURKEY



**1 Važna uputstva i upozorenja za bezbednost i okruženje 4**

Opšta bezbednost .....	4
Sigurnost kod rada s plinom .....	4
Bezbednost električnih proizvoda .....	6
Bezbednost proizvoda .....	6
Namena .....	9
Bezbednost dece .....	9
Odlaganje dotrajalog proizvoda u otpad .....	9
Odlaganje ambalažnog materijala .....	9

**2 Opšte informacije 10**

Pregled .....	10
Sadržaji pakovanja .....	11
Tehničke specifikacije .....	12
Tabela brizgaljki .....	13

**3 Instalacija 14**

Pre instalacije .....	14
Instalacija i povezivanje .....	15
Odlaganje dotrajalog proizvoda u otpad .....	19

**4 Pripreme 20**

Saveti za uštedu energije .....	20
Prva upotreba .....	20
Prvo čišćenje proizvoda .....	20
Prvo zagrevanje .....	20

**5 Kako koristiti ploču za kuvanje 21**

Opšte informacije o kuvanju .....	21
Korišćenje ploča za kuvanje .....	21

**6 Kako rukovati rernom 23**

Opšte informacije o pečenju, pečenju mesa i pečenju na roštilju .....	23
Kako koristiti električnu rernu .....	23
Režimi rada .....	24
Tabela vremena kuvanja .....	24
Kako rukovati roštiljem .....	25
Tabela vremena kuvanja za pečenje roštilja .....	25

**7 Održavanje i nega 26**

Opšte informacije .....	26
Očistite ploču za kuvanje .....	26
Čišćenje komandne table .....	26
Čišćenje rerne .....	26
Skidanje vrata rerne .....	27
Skidanje unutrašnjeg stakla na vratima .....	27
Zamena sijalice u rerni .....	28

**8 Otklanjanje kvarova 29**

## **1 Važna uputstva i upozorenja za bezbednost i okruženje**

Ovaj odeljak sadrži sigurnosna uputstva koja će vam pomoći da se zaštitite od opasnosti povreda i oštećenja imovine. Neuspešno praćenje ovih uputstava će poništiti garanciju.

### **Opšta bezbednost**

- Ovaj uređaj mogu koristiti deca starija od 8 godina i osobe sa smanjenim fizičkim, senzornim ili mentalnim sposobnostima ili kojima nedostaju iskustvo i znanje, ako su pod nadzorom ili su dobili uputstva u vezi sa bezbednom upotrebom uređaja i razumeju uključene opasnosti. Deca se ne smeju igrati sa uređajem. Deca ne smeju čistiti ili održavati uređaj bez nadzora.
- Ovaj uređaj nije namenjen za upotrebu od strane osoba (uključujući decu) sa smanjenim fizičkim, senzornim ili mentalnim sposobnostima ili nedostatkom iskustva i znanja, osim ako su pod nadzorom ili su im data uputstva. Deca koja su pod nadzorom ne smeju se igrati uređajem.
- Ako se proizvod ustupi drugoj osobi za ličnu upotrebu ili kao polovan proizvod, potrebno je takođe proslediti korisnički priručnik, etikete proizvoda i

druge relevantne dokumente i delove.

- Nikada ne stavljajte uređaj na pod pokriven tepihom. Inače, umanjen protoka vazduha ispod proizvoda će uzrokovati pregrevanje električnih delova. Ovo će izazvati probleme sa Vašim proizvodom.
- Instalaciju i popravke smeju da vrše samo ovlašćeni serviseri. Proizvođač neće snositi odgovornost za štete koje nastanu zbog postupaka koje su obavile neovlašćene osobe, što takođe može poništiti garanciju. Pre instalacije, pažljivo pročitajte uputstva.
- Ne uključujte proizvod ako je u kvaru ili ima vidljivo oštećenje.
- Prekontrolišite da li su funkcijski tasteri na proizvodu isključeni nakon svake upotrebe.

### **Sigurnost kod rada s plinom**

- Sve radove na plinskoj opremi i sustavima smiju vršiti samo ovlašćene kvalificirane osobe.
- Prije instalacije, pazite da su uvjeti lokalne distribucije (vrsta i talk plina) i postavke na aparatu kompatibilni.
- Ovaj uređaj ne sme se koristiti za zagrevanje tanjira ispod rešetke roštilja, vešanje peškira i kuhinjskih krpa itd. na ručici,

sušenje niti u druge svrhe zagrevanja. Bit će montiran i spojen u skladu s trenutnim zakonima o instalaciji. Posebna se pažnja treba dati zahtjevima vezanim za ventilaciju; pogledajte *Pre instalacije, strana 14*

- Upotreba plinskih šporeta dovodi do stvaranja toplote, vlage i proizvoda sagorevanja u prostoriji u kojoj je instaliran. Pobrinite se da kuhinja ima dobru ventilaciju, a naročito tokom korišćenja aparata: neka otvori za prirodnu ventilaciju budu otvoreni ili instalirajte mehanički ventilacioni uređaj (mehanički aspirator). Duža intenzivna upotreba uređaja može da zahteva dodatnu ventilaciju, na primer, veći nivo mehaničke ventilacije.
- Pravilan rad plinskih uređaja i sustava se mora stalno proveravati. Regulator, crevo i njegova stezaljka se moraju redovno proveravati i zameniti u vremenskom roku preporučenom od strane proizvođača ili kada je potrebno.
- Redovito čistite plinske plamenike. Plamen treba biti plav i gorjeti ujednačeno.
- Ovaj proizvod treba da se koristi u prostoriji u kojoj se nalazi ispravno podešen i funkcionalan senzor za ugljen monoksid.

Postarajte se da senzor za ugljen monoksid radi ispravno i da se redovno održava. Senzor za ugljen monoksid treba da se instalira maksimalno 2 metra od proizvoda.

- Kod plinskih uređaja je potrebno dobro izgaranje. U slučaju nepotpunog izgaranjem može nastati ugljični monoksid (CO). Ugljik monoksid je jako toksičan plin bez boje i mirisa koji ima smrtonosne posljedice čak i u vrlo malim dozama.
- Zatražite informacije o telefonskim brojevima za hitne slučajeve vezane za plin i sigurnosne mjere u slučaju mirisa plina od Vašeg dobavljača plina.

### **Što raditi kad osjetite miris plina**

- Ne koristite otvorenu vatru i ne pušite. Ne koristite električnu dugmad (npr. prekidač za svetlo, zvono za vrata itd.). Ne koristite fiksni ili mobilni telefon.
- Zatvorite sve ventile na plinskim uređajima i plinomjerima.
- Otvorite vrata i prozore.
- Proverite nepropusnost svih cijevi i spojeva. Ako još osjetite plin, izađite iz stana.
- Upozorite susjede.
- Zovite vatrogasce. Koristite telefon izvan kuće.
- Nemojte ponovo unositi stvari dok vam se ne kaže da je bezbedno da se to uradi.

## Bezbednost električnih proizvoda

- Ako je proizvod neispravan, ne treba da se koristi dok ga ne popravi ovlašćeni serviser. Postoji opasnost od električnog udara!
- Proizvod povežite samo na uzemljenu utičnicu/vod sa naponom i zaštitom navedenim u „Tehničkim specifikacijama“. Uzemljenje instalacije mora da obavi kvalifikovani električar u slučaju da se proizvod koristi sa ili bez transformatora. Naša kompanija neće biti odgovorna ni za kakve probleme koji nastanu zbog korišćenja proizvoda sa neuzemljenom instalacijom u skladu sa lokalnim propisima.
- Nikada ne perite proizvod prskanjem ili sipanjem vode na njega! Postoji opasnost od električnog udara!
- Proizvod mora da bude isključen za vreme instalacije, održavanja, čišćenja i popravke.
- Ako je priključni kabl za napajanje proizvoda oštećen, mora da ga zameni proizvođač, njegov serviser ili odgovarajuće kvalifikovano lice kako bi se izbegle opasnosti.
- Aparat mora da se instalira tako da može potpuno da se isključi sa mreže. Razdvajanje mora da bude obezbeđeno ili putem mrežnog utikača ili putem prekidača

ugrađenog u fiksnu električnu instalaciju u skladu sa građevinskim propisima.

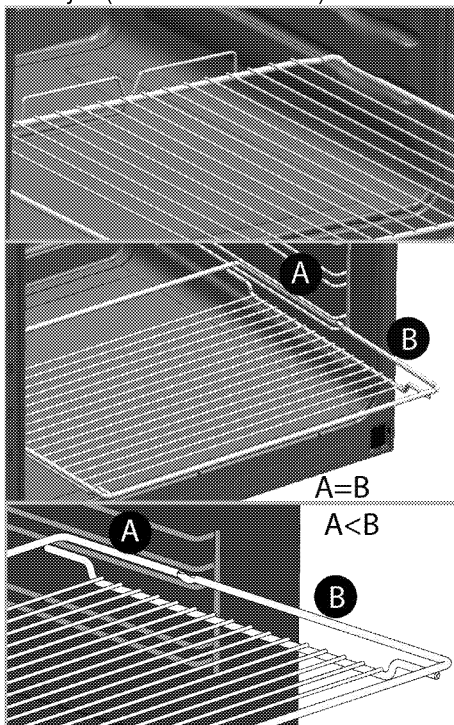
- Zadnja strana rerne se jako zagreva za vreme upotrebe. Pobrinite se da plinski/električni priključak ne dodiruje zadnju površinu, jer se može oštetiti.
- Ne prignječujte kabl za napajanje između vrata rerne i okvira i ne vodite ga preko vrućih površina. U suprotnom može doći do topljenja izolacije kabla i do požara zbog kratkog spoja.
- Sve radove na električnoj opremi i sistemima treba da vrše samo ovlašćena kvalifikovana lica.
- U slučaju oštećenja, isključite proizvod i odvojite od električne mreže. Da biste to uradili, isključite osigurač u domaćinstvu.
- Uverite se da je jačina osigurača kompatibilna sa ovim proizvodom.

## Bezbednost proizvoda

- UPOZORENJE: Uređaj i njegovi pristupačni delovi se zagrevaju tokom upotrebe. Budite pažljivi da biste izbegli dodirivanje vrućih elemenata. Decu mlađu od 8 godina treba udaljiti osim u slučaju da ih neprekidno nadgledate.
- Nikad ne koristite proizvod u slučaju oslabljenog rasuđivanja ili koordinacije pod uticajem konzumiranja alkohola i/ili lekova.

- Budite pažljivi kada koristite alkoholna pića u vašem posuđu. Alkohol na visokim temperaturama isparava i može da prouzrokuje požar jer se može upaliti ako dođe u kontakt sa vrućim površinama.
- Ne stavljajte nikakav zapaljivi materijal blizu proizvoda, jer njegove stranice mogu da se zagrevaju u toku upotrebe.
- Uređaj se zagreva tokom upotrebe. Budite pažljivi da biste izbegli dodirivanje vrućih elemenata u unutrašnjosti rerne.
- Održavajte čistoću svih ventilacionih otvora.
- Ne zagrevajte zatvorene konzerve i staklene tegle u rerni. Pritisak koji se može stvoriti u plehu/tegli može da izazove njihovo pucanje.
- Plehove za pečenje, posuđe ili aluminijumsku foliju ne stavljajte direktno na dno rerne. Akumulirana toplota bi mogla da ošteti dno rerne.
- Ne koristite abrazivna sredstva za čišćenje ili tvrde metalne strugače za čišćenje stakla na vratima rerne jer mogu izgubiti površinu, što može dovesti do razbijanja stakla
- Ne koristite paročistače za čišćenje uređaja da ne biste izazvali električni udar.

- (Razlikuje se u zavisnosti od modela uređaja.)  
Pravilno postavljanje žičane police i pleha na žičane police  
Važno je da se žičana polica i/ili pleh pravilno postave na policu. Žičanu policu ili pleh gurnite između 2 šine i proverite stabilnost pre postavljanja jela na njih (vidi sledeću sliku).



- Ne koristite proizvod ako je staklo na prednjim vratima skinuto ili napuklo.
- Ručica rerne ne služi za sušenje peškira. Ne kačite peškir, rukavice ili slične proizvode od tekstila dok roštilj radi sa otvorenim vratima rerne.

- Uvek koristite termootporne rukavice za rernu kada posude stavljate ili vadite iz vruće rerne.
  - Postavite papir za pečenje u šerpu ili na dodatak za rernu (pleh, gril itd.) zajedno sa hranom, a zatim ubacite sve u prethodno zagrejanu rernu. Uklonite višak delova papira za pečenje koji prelazi dodatak ili šerpu da biste sprečili rizik od dodirivanja grejnih elemenata u rerni. Nikada nemojte da koristite papir za pečenje na temperaturi koja je veća od naznačene temperature za papir za pečenje. Nemojte da stavljate papir za pečenje direktno na dno rerne.
  - UPOZORENJE: Pobrinite se da aparat bude isključen pre zamene sijalice da biste izbegli mogućnost električnog udara.
  - Uređaj ne sme da se instalira iza dekorativnih vrata da bi se izbeglo pregrevanje.
  - Uređaj mora da se postavi direktno na pod. Ne sme da se postavlja na postolje ili podnožje.
  - UPOZORENJE: Kuvanje na ringli sa zagrejanom masti ili uljem može biti opasno i dovesti do požara. NIKADA ne pokušavajte da gasite vatru vodom, već isključite uređaj, a zatim pokrijte plamen tj., pokrijte ga poklopcem ili protivpožarnim ćebetom.
  - PAŽNJA: Proces kuvanja mora da bude pod nadzorom. Kratkotrajni proces kuvanja mora neprekidno da bude pod nadzorom.
  - UPOZORENJE: Opasnost od požara: Nemojte držati predmete na površinama za kuvanje.
  - Ovaj aparat nije predviđen da se upravlja putem eksternog tajmera ili posebnog sistema daljinskog upravljača.
  - UPOZORENJE: Koristite samo štitnike ploče za kuvanje koje je dizajnirao proizvođač aparata za kuvanje ili koje je proizvođač aparata odredio kao pogodne u uputstvu za upotrebu, ili štitnike ploče za kuvanje koje sadrži aparat. Upotreba neodgovarajućih štitnika može izazvati nezgode.
- Za pouzdanost proizvoda od požara:
- Uverite se da je utikač dobro umetnut u utičnicu kako ne bi izazvao varnice.
  - Ne koristite oštećen, isečen ili produžni kabl, osim originalnog kabla.
  - Pobrinite se da na utičnici na koju je priključen proizvod nema ni vlage ni tečnosti.
  - Pobrinite se da plinska instalacija bude dobra i da neće izazvati curenje gasa.

## Namena

- Ovaj proizvod je namenjen za kućnu upotrebu. Komercijalna upotreba nije dozvoljena.
- Ovaj aparat služi samo za kuvanje. On ne sme da se koristi za druge svrhe, na primer za grejanje prostorije."
- Ovaj proizvod ne sme se koristiti za zagrevanje tanjira ispod rešetke roštilja, vešanje peškira, kuhinjskih krpa itd. na ručici, niti u druge svrhe zagrevanja.
- Proizvođač neće biti odgovoran ni za kakve štete koje su nastale kao posledica nenamenske upotrebe ili pogrešnog rukovanja.
- Rerna može da se koristi za odmrzavanje, pečenje i pečenje hrane na roštilju.

## Bezbednost dece

- **UPOZORENJE:** Pristupačni delovi mogu da se zagreju za vreme upotrebe. Decu treba udaljiti.
- Materijali za pakovanje su opasni za decu. Ambalažne materijale držite van domašaja dece. Molimo da sve delove ambalaže odložite u otpad u skladu sa ekološkim standardima.
- Električni proizvodi i/ili proizvodi na gas su opasni za decu. Udaljite decu od proizvoda kada je

uključen i nemojte im dozvoliti da se igraju sa proizvodom.

- Iznad uređaja ne stavljajte predmete koje bi deca mogla da dohvate.
- Kada su vrata otvorena, ne stavljajte teške predmete na njih i ne dozvolite da deca sede na njima. To može da dovede do prevrtanja i mogu da se oštete šarke vrata.

## Odlaganje dotrajalog proizvoda u otpad

### Usaglašenost sa WEEE direktivom i odlaganje otpada:



Ovaj proizvod je usaglašen sa WEEE direktivom Evropske Unije (2012/19/EU). Ovaj proizvod nosi znak klasifikacije za električni i elektronski otpad (WEEE). Ovaj proizvod je proizveden od visoko kvalitetnih delova i materijala koji se mogu ponovo koristiti i pogodni su za reciklažu. Nemojte odlagati proizvod u otpad sa običnim kućnim otpadom i drugim otpadima na kraju veka trajanja. Odložite ga u centar za sakupljanje i reciklažu električnog i elektronskog otpada. Konsultujte se sa svojim lokalnim vlastima da biste saznali o ovim centrima za sakupljanje otpada.

### Usaglašenost sa RoHS direktivom:

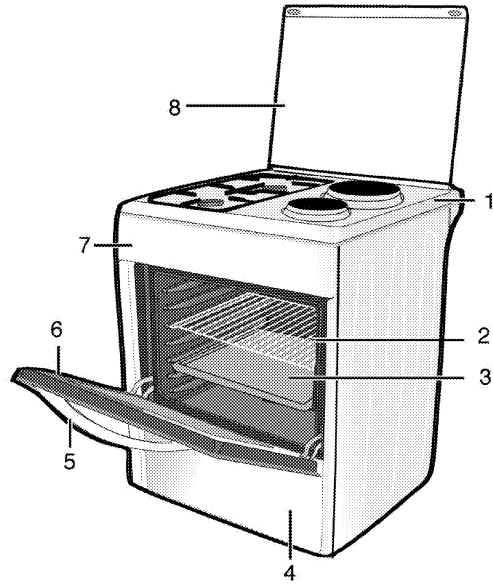
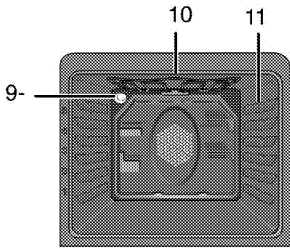
Proizvod koji ste kupili u saglasnosti je sa RoHS direktivom Evropske Unije (2011/65/EU). On ne sadrži štetne i zabranjene materijale navedene u direktivi.

## Odlaganje ambalažnog materijala

- Ambalažni materijali su opasni po decu. Ambalažni materijal čuvajte na bezbednom mestu, van domašaja dece. Ambalažni materijali za ovaj proizvod su proizvedeni od materijala koji se mogu reciklirati. Odložite ih pravilno i sortirajte u skladu sa uputstvima za recikliranje otpada. Ne odlažite ih sa običnim kućnim otpadom.

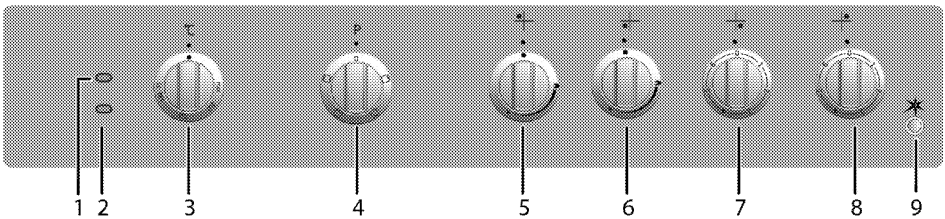
## 2 Opšte informacije

### Pregled



- 1 Ploča sa gorionikom
- 2 Žičana polica
- 3 Pleh
- 4 Donji deo
- 5 Ručka
- 6 Prednja vrata

- 7 Kontrolna tabla
- 8 Gornji poklopac
- 9 Lampa
- 10 Grejač roštilja
- 11 Položaji police



- 1 Lampica za upozorenje
- 2 Lampica termostata
- 3 Obrtno dugme termostata
- 4 Obrtno dugme za izbor funkcije
- 5 Brzi gorionik Pozadi levo
- 6 Pomoćni gorionik Napred levo
- 7 Ringla Napred desno
- 8 Ringla Pozadi desno
- 9 Dugme za paljenje



## Sadržaji pakovanja

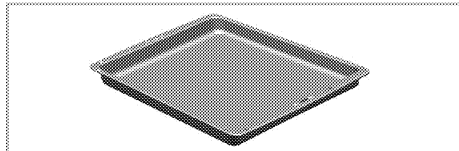


Isporučeni pribor može da se razlikuje u zavisnosti od modela uređaja. Sav pribor, koji je opisan u ovom korisničkom priručniku, možda neće postojati kod vašeg proizvoda.

### 1. Korisnički priručnik

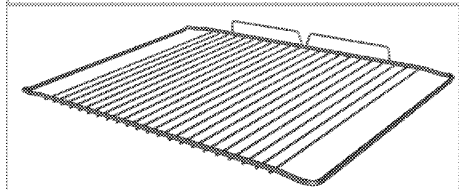
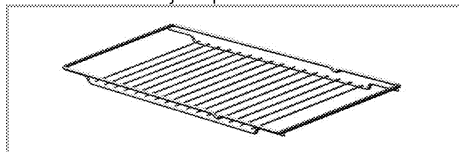
### 2. Pleh za renu

Koristi se za peciva, smrznutu hranu ili pečenje velikih komada mesa.



### 3. Žičana policica

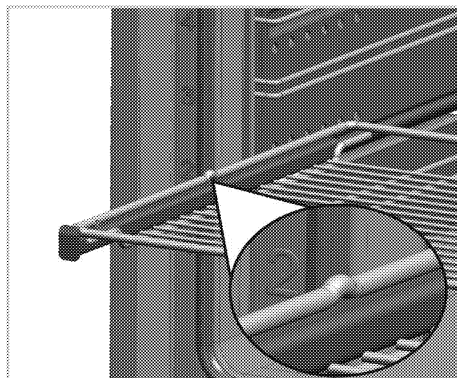
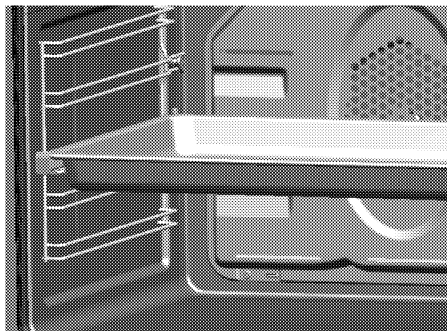
Koristi se za pečenje i za stavljanje šerpe sa hranom koja treba da bude pečena, pržena ili kuvana na željenu policu.



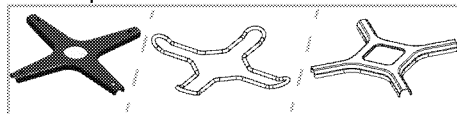
### 4. Pravilno postavljanje žičane police i pleha na teleskopske police

**(Ova funkcija je opcionala. Možda neće postojati kod vašeg proizvoda.)**

Teleskopske police vam omogućavaju da lako postavljate i uklanjate plehove i žičanu policu. Kada koristite pleh i žičanu policu sa teleskopskim policama uverite se da trnovi na zadnjem delu teleskopske police stoje naspram uglova žičane police i pleha.



### 5. Adapter za džezvu



Koristi se za džezve.

## Tehničke specifikacije

<b>OPŠTE</b>	
Spoljne dimenzije (visina/širina/dubina)	850 mm/600 mm/600 mm
Napon/frekvencija	220-240 V ~ 50 Hz
Ukupna potrošnja energije	5.3 kW
Osigurač	25 A
Tip kabla / poprečni presek	min.H05W-FG 3 x 2,5 mm <sup>2</sup>
Kategorija plinskog proizvoda	II <b>2H3B/P</b>
Vrsta gasa / pritisak	NG G 20/20 mbar
Ukupna potrošnja gasa	3,9 kW
Prebacivanje na vrstu gasa / pritisak <sup>S</sup>	LPG G 30/28-30 mbar
- opciono	
<b>Ploča za kuvanje</b>	
<b>Gorionici</b>	
Pozadi levo	<b>Brzi gorionik</b>
Snaga	2,9 kW
Napred levo	<b>Pomoćni gorionik</b>
Snaga	1 kW
Napred desno	<b>Ringla</b>
Dimenzije	145 mm
Snaga	1000 W
Pozadi desno	<b>Ringla</b>
Dimenzije	180 mm
Snaga	2000 W
<b>RERNA/ROŠTILJ</b>	
Glavna rerna	<b>Klasična rerna</b>
Unutrašnja lampa	15-25 W
Potrošnja roštilja	2.2 kW

# Osnovi: Informacije na nalepnici energetskog rejtinga električnih rerni navedene su u skladu sa EN 60350-1 / IEC 60350-1 standardom. Ove vrednosti su određene pod standardnim opterećenjem sa gornjim i donjim grejačem ili sa funkcijama koje uključuju ventilator (ako postoje).

Klasa energetske efikasnosti je određena u skladu sa sledećim prioritetoj u zavisnosti od toga da li relevantne funkcije postoje kod proizvoda ili ne. 1-Kuvanje sa eko ventilatorom, 2- Turbo sporo kuvanje, 3- Turbo kuvanje, 4- Zagrevanje odozdo/odozgo uz pomoć ventilatora, 5-Zagrevanje odozdo i odozdo.



Tehničke specifikacije se mogu izmeniti bez prethodnog obaveštenja da bi se poboljšao kvalitet proizvoda.



Slike koje su date u ovom uputstvu za upotrebu su samo ilustrativne i možda se neće u potpunosti poklapati sa vašim proizvodom.



Vrednosti, koje su navedene na oznakama proizvoda ili u drugoj dokumentaciji koju ste dobili uz proizvod, dobijene su pod laboratorijskim uslovima u skladu sa odgovarajućim standardima. U zavisnosti od radnih uslova i uslova okruženja proizvoda, ove vrednosti se mogu razlikovati.

## Tabela brizgaljki

Položaj zone ploče za grejanje	2.9 kW Pozadi levo	1 kW Napred levo
Vrsta gasa / pritisak		
G 20/20 mbar	115	72
G 30/28-30 mbar	87	50

### 3 Instalacija

Proizvod mora da instalira kvalifikovano lice u skladu sa važećim propisima. U suprotnom, garancija neće važiti. Proizvođač neće biti odgovoran za štete koje nastanu zbog postupaka koje su obavile neovlašćene osobe i može da poništi garanciju.



Priprema lokacije i električne i gasne instalacije za proizvod su odgovornost kupca.



#### OPASNOST:

Ovaj proizvod mora da se instalira u skladu sa svim lokalnim propisima za gasne i/ili električne instalacije.

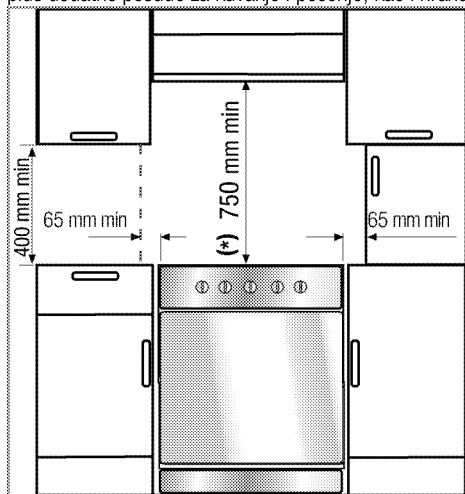


#### OPASNOST:

Pre instalacije vizuelno proverite da li na proizvodu postoje bilo kakva oštećenja. Ako ustanovite oštećenja, nemojte ga instalirati. Oštećeni proizvodi predstavljaju opasnost po vašu bezbednost.

#### Pre instalacije

Da biste osigurali da ispod aparata postoji kritičan slobodan vazdušni prostor, preporučujemo da se ovaj aparat montira na čvrstoj osnovi i da nožice ne upadaju u tepih ili neku drugu mekanu podnu oblogu. Kuhinjski pod mora da bude u stanju da izdrži aparat plus dodatno posuđe za kuvanje i pečenje, kao i hranu.



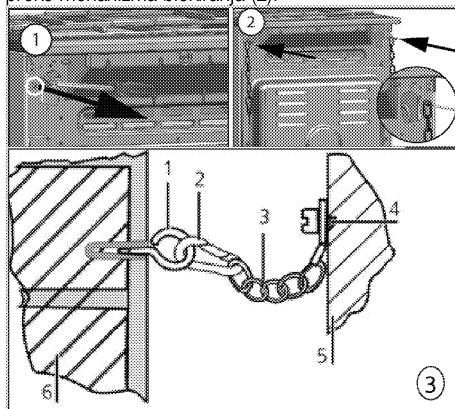
- Može se koristiti sa ormaricama sa obe strane, ali se mora obezbediti minimalan slobodan prostor od 400mm iznad nivoa ploče za kuvanje i slobodan prostor od 65mm između šporeta i bilo kog bočnog zida, pregrade ili visokog ormarića.

- Može se koristiti i u slobodno stojećem položaju. Obezbedite minimalni razmak od 750mm iznad površine ploče za kuvanje.
- (\*) Ako se kuhinjski aspirator montira iznad šporeta, pogledajte uputstvo proizvođača aspiratora u vezi sa visinom instalacije (min. 650 mm).
- Uređaj odgovara aparatu klase 1, tj. njegova zadnja strana je **jedna** bočna strana može da se postavi uz zidove kuhinje, kuhinjski nameštaj ili drugi uređaj bilo koje veličine. Kuhinjski nameštaj ili uređaj sa **druge** strane šporeta mora da bude iste veličine ili niži.
- Svaki element kuhinskog nameštaja koji se nalazi uz aparat mora da bude otporan na toplotu (min. do 100 °C).

#### Sigurnosni lanac

##### Ako vaš proizvod ima 2 sigurnosna lanca;

Uređaj mora da se osigura od pada korišćenjem dva sigurnosna lanca sa kojim je rerna isporučena. Zakačite kuku (1) pomoću odgovarajućeg eksera na kuhinjski zid (6) i učvrstite sigurnosni lanac (3) na kuku preko mehanizma blokiranja (2).

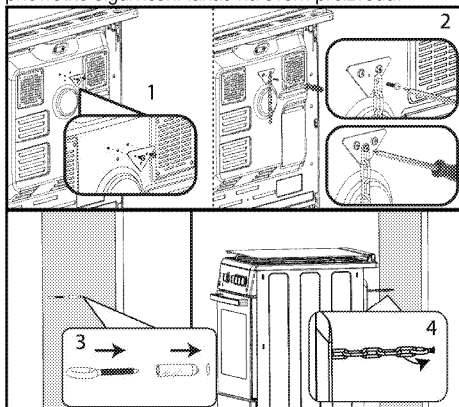


- 1 Kuka za stabilizaciju
- 2 Mehanizam blokiranja
- 3 Sigurnosni lanac
- 4 Učvrstite lanac na zadnjoj strani šporeta
- 5 Zadnja strana šporeta
- 6 Kuhinjski zid

##### Ako vaš proizvod ima 1 sigurnosni lanac;

Uređaj mora da se osigura od pada korišćenjem jednog sigurnosnog lanca koji je ispušten sa remnom.

Pratite korake navedene na slici u nastavku da pričvrstite sigurnosni lanac na svom proizvodu.



**i** Stabilizacioni lanac treba da bude što je moguće kraći da bi se sprečilo da se rena naginje prema napred i treba da stoji dijagonalno da bi se sprečilo bočno naginjanje rerne.

Stabilizacioni lanac za šporete nije dizajniran sa mestom za pričvršćivanje konzole.

### Sobna ventilacija

Sve prostorije moraju da imaju prozor koji se otvara ili nešto slično, a u nekim prostorijama je neophodna i stalna ventilacija. Vazduh za sagorevanje se uzima iz prostorije, a izduvni gasovi se emituju direktno u prostoriju. Dobra ventilacija ima ključnu važnost za bezbedan rad vašeg aparata.

### Prostorije sa vratima i/ili prozorima koji vode direktno ka spoljašnjem okruženju

Na vratima i/ili prozorima koji vode direktno ka otvorenom prostoru mora da postoji otvor za ukupnu ventilaciju dimenzija koje su naznačene u tabeli ispod na osnovu ukupne snage gasa na uređaju (ukupna potrošnja snage gasa uređaja je prikazana u tabeli sa tehničkim specifikacijama u ovom priručniku). Ako vrata i/ili prozori ne pružaju ukupni otvor za ventilaciju koji odgovara ukupnoj potrošnji gasa za uređaj kao što je navedeno u tabeli ispod, onda definitivno mora da postoji dodatni fiksni otvor za ventilaciju u prostoriji da bi se osigurali minimalni ukupni zahtevi za ventilaciju za ukupnu potrošnju gasa za uređaj. Fiksni otvor za ventilaciju može da obuhvata otvore za postojeće cigle za provetranje, dimenzije otvora za aspiratore itd.

Ukupna potrošnja gasa (kW)	Min. otvor za ventilaciju (cm <sup>2</sup> )
0-2	100
2-3	120

3-4	175
4-6	300
6-8	400
8-10	500
10-11,5	600
11,5-13	700
13-15,5	800
15,5-17	900
17-19	1000
19-24	1250

### Prostorije koje nemaju vrata i/ili prozore koji se mogu otvoriti i koji direktno vode ka spoljašnjem okruženju

Ako prostorija gde je uređaj montiran ne sadrži vrata i/ili prozor koji se nudi direktan pristup otvorenom prostoru, treba koristiti druge proizvode koji definitivno pružaju fiksni ne podesivi otvor za ventilaciju koji se ne može zatvoriti i koji zadovoljava ukupne zahteve minimalnog otvora za ventilaciju za ukupnu potrošnju gasa na uređaju, kao što je navedeno u tabeli iznad. Takođe treba poštovati odgovarajuće propise u vezi sa građevinom.

U prostoriji ili unutrašnjem prostoru koji sadrže više od jednog uređaja na gas, potrebno je obezbediti dodatnu ventilaciju pored zahteva navedenih u tabeli iznad. Veličina dodatne površine za ventilaciju biće u skladu sa propisima za druge uređaje na gas.

Potrebno je da postoji minimalna razdaljina od 10 mm na donjoj ivici vrata koja se otvaraju ka unutrašnjem prostoru u prostoriji gde je proizvod montiran. Morate da osigurate da predmeti, kao što su tepisi i drugi prekrivači poda itd. ne utiču na zazor kada se vrata zatvore.

Šporet može da se postavi u kuhinji, kuhinji sa trepezarijom ili spavaćoj-dnevnoj sobi, ali ne i u prostoriji u kojoj se nalazi kupatilo ili tuš. Šporet ne sme da se instalira u spavaćoj-dnevnoj sobi čija je površina manja od 20 m<sup>3</sup>.

Nemojte da instalirate ovaj uređaj u prostoriji ispod nivoa zemlje osim ako je bar jedan njen zid iznad nivoa zemlje.

### Instalacija i povezivanje


Uređaj se može instalirati i povezati samo u skladu sa propisanim pravilima za instalaciju.



Ne instalirajte proizvod pored frižidera ili zamrzivača. Toplota koju emituje proizvod može da prouzrokuje povećanu potrošnju energije rashladnih aparata.


- Uređaj moraju da nose najmanje dve osobe.


- Uređaj mora pravilno da se osigura na pod. Ne sme da se postavlja na postojke ili podnožje.

 Ne koristite vrata i/ili ručicu za nošenje ili pomeranje ovog proizvoda. Vrata, ručica za ili šarke se mogu oštetiti.

### Električno povezivanje


Povežite proizvod sa uzemljenom utičnicom koja je zaštićena minijaturnim prekidačem odgovarajućeg kapaciteta kao što je navedeno u tabeli „Tehničke specifikacije“. Angažujte kvalifikovanog električara da obavi povezivanje sa uzemljenom instalacijom dok koristite proizvod sa ili bez transformatora. Naša kompanija nije odgovorna ni za kakvu štetu koja će prosteći zbog korišćenja proizvoda bez uzemljene instalacije u skladu sa lokalnim propisima.

 **OPASNOST:**  
Na gasnu mrežu proizvod sme da priključi samo ovlašćeno kvalifikovano lice. Garantni rok za proizvod počinje samo nakon pravilne instalacije.  
Proizvođač neće biti odgovoran za štete koje nastanu zbog postupaka koje su obavile neovlašćene osobe.


 **OPASNOST:**  
Električni kabl za napajanje ne sme da se priklešti, savije ili prignječi ili da dođe u dodir sa vrućim delovima proizvoda.  
Oštećeni kabl za napajanje mora da zameni kvalifikovani električar. U suprotnom, postoji opasnost od električnog udara, kratkog spoja ili požara!

Podaci o mrežnom napajanju moraju da odgovaraju podacima koji su navedeni na tipskoj pločici proizvoda. Tipska pločica se vidi kada se otvore vrata ili donji poklopac ili se nalazi na zadnjoj strani uređaja, što zavisi od tipa uređaja.

Kabl za napajanje vašeg proizvoda mora da bude u skladu sa vrednostima u tabeli „Tehničke specifikacije“.

 **OPASNOST:**  
Pre radova na električnoj instalaciji isključite proizvod iz struje.  
Postoji opasnost od električnog udara!

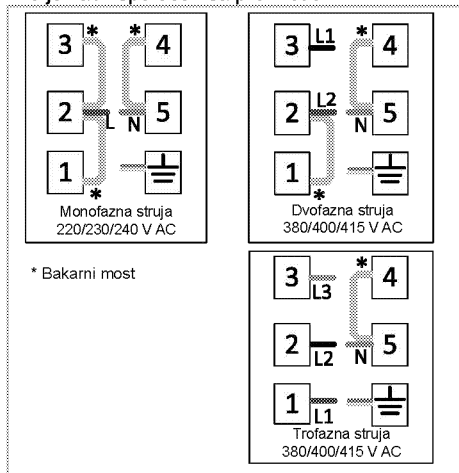
### Povezivanje kabla za napajanje

 Tokom povezivanja žica morate da poštujuete nacionalne/lokalne propise o struji i morate da koristite odgovarajuću utičnicu i utikač za renu. U slučaju da ograničenja napajanja uređaja premašuju nominalne vrednosti struje za utikač i utičnicu, proizvod mora da se poveže preko fiksne električne instalacije direktno bez korišćenja utikača i utičnice.


1. Ukoliko nije moguće isključiti napajanje preko svih izvoda (polova), rastavni uređaj sa najmanje 3 mm zazora kontakta (osigurači, fazni sigurnosni prekidači, kontaktori) moraju da se povežu, a svi polovi ovog rastavnog uređaja moraju da budu u blizini proizvoda (ne iznad) u skladu sa IEE smernicama. Nepridržavanje ovog uputstva može da dovede do problema u radu i poništavanja garancije za proizvod.

Preporučuje se dodatna zaštita putem FID sklopke za zaštitu od struje greške.

### Ako je kabl isporučen sa proizvodom:



2. **Za jednofazno povezivanje**, žice treba povezati na sledeći način:

- Braon kabl = L (faza)
- Plavi kabl = N (nula)
- Zeleno/žuti kabl = (E)  (Uzemljenje)

## Gasni priključak



### OPASNOST:

Na gasnu mrežu proizvod sme da priključi samo ovlašćeno i kvalifikovano lice. Opasnost od eksplozije ili trovanja zbog nestručne popravke! Proizvođač neće biti odgovoran za štete koje nastanu zbog postupaka koje su obavile neovlašćene osobe.



### OPASNOST:

Pre radova na gasnoj instalaciji zatvorite dovod gasa. Postoji opasnost od eksplozije!

- Uslovi za podešavanje gasa i vrednosti su navedeni na pločici (ili jonskoj tipskoj pločici).

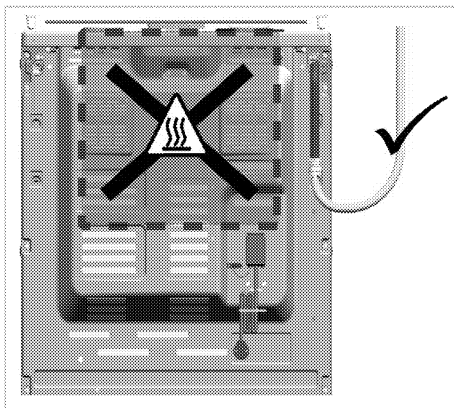


Vaš proizvod je opremljen za prirodni gas (NG).

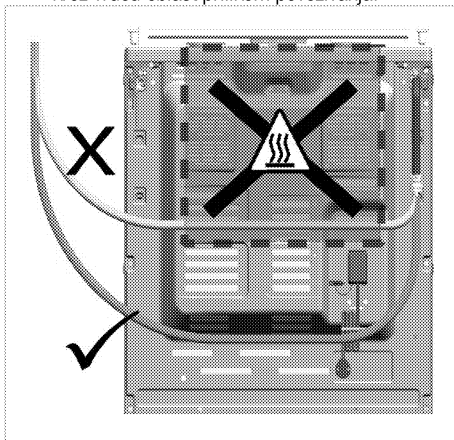
- Instalacija za prirodni gas mora da se prikladno prilagodi pre instaliranja uređaja.
- Priključivanje vašeg proizvoda na gas obaviće ovlašćeni servis.
- Na izlazu instalacije za priključivanje vašeg proizvoda na prirodni gas mora da postoji savitljiva cev, a produžetak ovog creva mora da se zatvori slepim zapušačem. Slepí zapušač će se ukloniti tokom povezivanja i vaš proizvod će se povezati putem ravnog uređaja za povezivanje (rukav).
- Uverite se da je ventil za prirodni gas spreman i pristupačan.
- Ako vaš uređaj kasnije treba da koristite sa drugom vrstom gasa, morate da kontaktirate ovlašćeni servis i raspitate o potrebnoj proceduri za promenu.

### Ako vaš proizvod poseduje samo jedan izlaz za gas;

- Pre povezivanja creva za gas uverite se da je izlaz za crevo za gas na zadnjoj strani proizvoda na istoj strani proizvoda kao i ventil za prirodni gas.

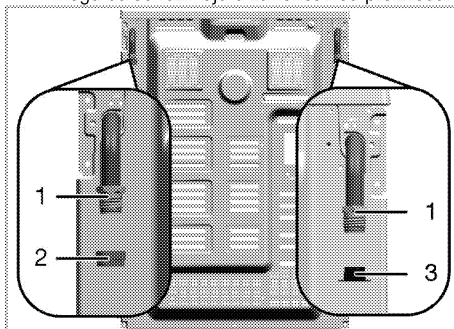


- Ako izlaz za crevo za gas i ventil za prirodni gas nisu na istoj strani, uverite se da crevo ne prolazi kroz vruću oblast prilikom povezivanja.



### Ako vaš proizvod poseduje dva izlaza za gas;

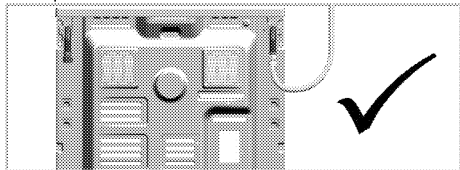
- Jedan od dva izlaza je zatvoren slepim zapušačem, a drugi plastičnim zapušačem. Lokacije slepog zapušača i plastičnog zapušača mogu da se razlikuju u zavisnosti od proizvoda.



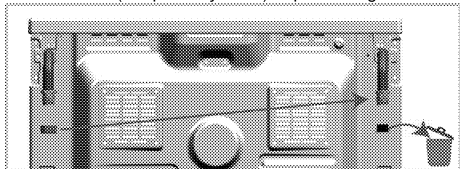
1 Izlaz za crevo za gas

- 2 Slepim zapušač
- 3 Plastični zapušač

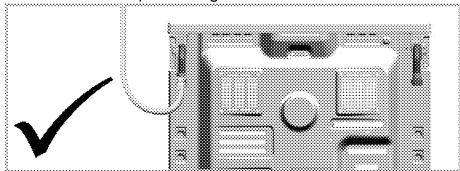
- Pre priključivanja gasa postarajte se da ventil za prirodni gas i izlaz za crevo za gas proizvoda za priključivanje na gas budu sa iste strane.
- Ako su ventil za prirodni gas i izlaz za crevo za gas zatvoren plastičnim zapušačem okrenuti ka istoj strani, obavite povezivanje na gas kao što je prikazano na slici u nastavku.



- Ako su ventil za prirodni gas i izlaz za crevo za gas zatvoren slepim zapušačem okrenuti ka istoj strani, uklonite i odložite plastični zapušač. Uklonite slepi zapušač i zatvorite izlaz za crevo za gas kada se priključivanje na gas neće obaviti novom (neupotrebjenom) zaptivnom gumicom.



- Obavite povezivanje na gas kao što je prikazano na slici u nastavku na izlazu za crevo za gas blizu ventila za prirodni gas.



#### Rizik od požara:

Ako povezivanje ne obavite u skladu sa uputstvima navedenim u nastavku, postojaće rizik od curenja gasa i požara. **Naša kompanija se ne može smatrati odgovornom za oštećenja koja su posledica toga.**

- Povezivanje na gas mora da obavi isključivo ovlašćeni serviser.
- Povezivanje proizvoda na gas mora obavezno da se obavi putem izlaza za crevo za gas u blizini ventila za prirodni gas.
- Plastični zapušač se mora odložiti, a izlaz za crevo za gas koji se neće koristiti mora da se zatvori slepim zapušačem.
- Prilikom zatvaranja otvora za crevo za gas koji se neće koristiti sa slepim zapušačem, morate

neizostavno da upotrebite novu i neupotrebijenu zaptivnu gumicu.



#### OPASNOST:

Savitljivi crevo za gas mora da se poveže tako da ne dolazi u dodir sa pokretnim delovima koji ga okružuju i da ne bude zaglavljen kada se pokretni delovi kreću. (npr. fioke). Pored toga, ne treba da se postavlja na mestima gde može da bude prignječeno.



#### OPASNOST:

Crevo za gas ne sme da se priklešti, savije ili prignječi ili da dođe u dodir sa vrućim delovima proizvoda. Postoji opasnost od eksplozije zbog oštećenog creva za gas.

#### Provera curenja gasa kod priključka

- Uverite se da je sva dugmad na uređaju isključena. Pazite da je dovod gasa otvoren. Pripremite sapunicu i nanesite je na ivicu priključka creva za kontrolu curenja gasa.
- Nasapunjani deo će se peniti ako postoji curenje gasa. U tom slučaju još jednom proverite povezivanje gasa.
- **Ako vaš proizvod ima dva izlaza za crevo za gas**, uverite se da je neiskorišćeni izlaz za gas zatvoren slepim zapušačem. Pripremite sapunicu i nanesite je na ivicu priključka creva za proveru curenja gasa. Nasapunjani deo će se peniti ako postoji curenje gasa. U tom slučaju još jednom proverite povezivanje gasa slepim zapušačem.
- Umesto sapunice, možete da upotrebite komercijalno dostupne sprejove za proveru curenja gasa.



Nikada ne koristite šibicu ili upaljač da biste izvršili proveru curenja gasa.

- Gurnite uređaj prema kuhinjskom zidu.
- **Podešavanje nožica rene**  
Vibracije tokom upotrebe mogu izazvati pomeranje posuda. Ova opasna situacija se može izbeći ako je uređaj nivelisan i stabilan. Radi vaše bezbednosti, proverite da li je uređaj nivelisan podešavanjem četiri nožica na dnu okretanjem na levo ili desno da biste ujednačili nivo sa radnom površinom.

#### Finalna provera

1. Ponovo priključite uređaj na napajanje.
2. Proverite sve električne funkcije.
3. Otvorite snabdevanje gasom.



4. Proverite gasne instalacije na sigurnost i čvrstoću armatura.
5. Upalite gorionike i proverite izgled plamena.



Plamen mora da bude plave boje i da ima pravilan oblik. Ako je plamen žučkast, proverite siguran položaj poklopca gorionika ili očistite gorionik.

### **Odlaganje dotrajalog proizvoda u otpad**

- Sačuvajte originalnu ambalažnu kutiju ovog proizvoda i transportujte proizvod u njoj. Pratite uputstva na kutiji. Ako nemate originalnu ambalažnu kutiju, proizvod upakujte u foliju za pakovanje sa vazдушnim mehurićima ili deblji karton i dobro zalepite.

- Da biste sprečili da rešetka za roštij i pleh u rerni oštete vrata rerne, postavite komad kartona na unutrašnju stranu vrata rerne prema položaju plehova. Vrata rerne zalepite trakom za bočne stranice.
- Osigurajte poklopce i držače posuda pomoću samolepljive trake.
- Ne koristite vrata ili ručicu za podizanje ili pomeranje ovog proizvoda.



Ne stavljajte nikakve predmete na proizvod i premeštajte ga u uspravnom položaju.



Proverite opšti izgled svog proizvoda da biste pronašli eventualna oštećenja koja su mogla nastati za vreme transporta.

## 4 Pripreme

### Saveti za uštedu energije

Sledeće informacije će vam pomoći da vaš uređaj koristite na ekološki način i štedite energiju:

- U rerni koristite emaljirane poklopce ili poklopce tamne boje jer će prenos toplote biti bolji.
- Dok kuvate jela, obavite predzagrevanje ako se to savetuje u korisničkom uputstvu ili receptu.
- U toku pečenja ne otvarajte često vrata rerne.
- Kad god je moguće, kuvajte više jela u rerni istovremeno. Možete da kuvate dva jela u dve šerpe koje se mogu staviti na žičanu rešetku za roštilj.
- Kuvajte više jela jedno za drugim. Jer će rerna već biti zagrejana.
- Možete da uštedite energiju tako što ćete električnu rernu isključiti nekoliko minuta pre kraja vremena kuvanja. Ne otvarajte vrata rerne.
- Odmrzните smrznuta jela pre pečenja.
- Za kuvanje koristite šerpe i tiganje sa poklopcem. Ako se ne stavi poklopac, potrošnja energije može biti 4 puta veća.
- Izaberite gorionik koji odgovara veličini dna šerpe koja će biti korišćena. Uvek birajte pravilnu veličinu šerpe za svoje jelo. Veće šerpe zahtevaju više energije.
- Koristite šerpe sa ravnim dnom kada kuvate na električnim ringlama. Šerpe sa debelim dnom obezbeđuju bolju toplotnu provodnost. Možete da uštedite do 1/3 energije.
- Posude i šerpe moraju da odgovaraju ringlama. Dno posuda ili šerpe ne sme biti manje od ringle.
- Održavajte čistoću ringli i dna šerpi. Nečistoće će smanjiti provođenje toplote između ringle i dna šerpe.
- U slučaju dužeg kuvanja, isključite ringlu 5 ili 10 minuta pre završetka vremena kuvanja. Možete da uštedite do 20% energije korišćenjem preostale toplote.

### Prva upotreba

#### Prvo čišćenje proizvoda



Prilikom upotrebe nekih deterdženata ili sredstava za čišćenje mogla bi da se ošteti površina.

Ne koristite agresivne deterdžente, praškove/tečnosti za čišćenje ili oštre predmete tokom čišćenja.

1. Uklonite sve ambalažne materijale.

2. Obrišite površine proizvoda vlažnom krpom ili sunderom i osušite ga krpom.

#### Prvo zagrevanje

Uključite proizvod da bi se zagrejao i ostavite ga tako oko 30 minuta, a zatim ga isključite. Tako će da sagore bilo kakvi ostaci ili slojevi iz proizvodnje.



#### UPOZORENJE

Vruće površine mogu da prouzrokuju opekotine!

Uređaj može da bude vruć za vreme upotrebe. Nikada ne dodirujte vruće gorionike, unutrašnje delove rerne, grejače itd. Udaljite decu.

Uvek koristite termootporne rukavice za rernu kada posude stavljate ili vadite iz vruće rerne.

#### Električna rerna

1. Izvadite sve plehove za pečenje i žičanu rešetku roštilja iz rerne.
2. Zatvorite vrata rerne.
3. Izaberite statičan položaj.
4. Izaberite najveću jačinu za roštilj; pogledajte *Kako koristiti električnu rernu, strana 23*.
5. Uključite na oko 30 minuta.
6. Isključite rernu; pogledajte *Kako koristiti električnu rernu, strana 23*

#### Rerna za roštilj

1. Izvadite sve plehove za pečenje i žičanu rešetku roštilja iz rerne.
2. Zatvorite vrata rerne.
3. Izaberite najveću jačinu za roštilj; pogledajte *Kako rukovati roštiljem, strana 25*.
4. Uključite na oko 30 minuta.
5. Isključite roštilj; pogledajte *Kako rukovati roštiljem, strana 25*

#### Ringla

1. Pre prve upotrebe moraju da se sagore svi ostaci iz proizvodnje ili zaštitni slojevi. Uključite ringlu na srednju temperaturu oko 8 minuta bez stavljanja posude na nju. Nijedna šerpa ili posuda ne treba da se stavlja na ringlu tokom ove procedure.



Tokom prvog uključivanja se par sati može javiti dim i osetiti neobičan miris. To je potpuno normalno. Pobrinite se da soba ima dobru ventilaciju radi uklanjanja dima i neobičnog mirisa. Izbegavajte direktno udisanje dima i mirisa koji se osećaju.

## 5 Kako koristiti ploču za kuvanje

### Opšte informacije o kuvanju



Nikad puniti posudu uljem više od jedne trećine. Ne ostavljajte ploču za kuvanje bez nadzora kada zagrevate ulje. Pregrejano ulje predstavlja opasnost od požara. **Nikada ne pokušavajte da eventualnu vatru gasite vodom!** Ako se ulje zapali, pokrijte ga protivpožarnim čebetom ili vlažnom krpom. Isključite ploču za kuvanje, ako se to može bezbedno uraditi i pozovite vatrogasce.

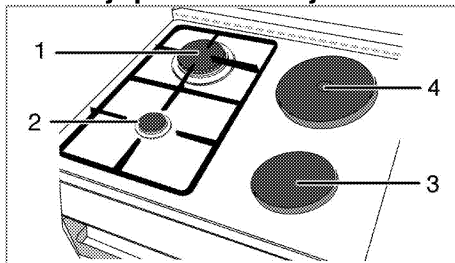
- Pre prženja hrane, uvek je dobro osušite i pažljivo spustite u vrelo ulje. Postarajte se da namirnice budu potpuno odmrznute pre prženja.
- Ne poklapajte posudu koju koristite kada zagrevate ulje.
- Postavite lonce i šerpe na način da njihove ručice ne budu iznad ploče za kuvanje kako biste sprečili njihovo zagrevanje. Ne stavljajte na ploču za kuvanje nestabilne posude ili one koje se mogu lako prevrnuti.
- Ne stavljajte prazne posude i šerpe na zone za kuvanje koje su uključene. Mogu da se oštete.
- Rad zone za kuvanje bez posude ili šerpe na njoj izazvaće oštećenje uređaja. Isključite zone za kuvanje nakon što je kuvanje završeno.
- Kako površina uređaja može biti vruća, ne stavljajte na nju plastične ili aluminijumske posude.  
Takve posude ne bi trebalo koristiti ni za držanje hrane.
- Koristite samo šerpe ili posude sa ravnim dnom.
- U šerpe i lonce stavljajte odgovarajuću količinu hrane. Tako ćete sprečiti nepotrebno čišćenje zbog preliivanja.  
Ne stavljajte poklopce za šerpe i lonce na zone za kuvanje.  
Postavite šerpe na način da budu u centru zone za kuvanje. Kada želite da premestite šerpu na drugu zonu za kuvanje, podignite je i stavite na zonu za kuvanje koju želite umesto da je povlačite po površini.

### Kuvanje na plin

- Veličina posude mora odgovarati veličini plamena i obrnuto. Podesite plamen tako da ne prelazi

dno šerpe, a šerpu stavite na sredinu držača za šerpe.

### Korišćenje ploča za kuvanje



- 1 Brzi gorionik 22-24 cm
- 2 Pomoćni gorionik 12-18 cm
- 3 Ringla 14-16 cm
- 4 Ringla 18-20cm je lista preporučenih prečnika šerpi koje mogu da se koriste na odgovarajućim ringlama.



### UPOZORENJE

Nemojte da koristite tiganje za pripremu hrane koji imaju veće dimenzije od navedenih granica. Korišćenje većih tiganja dovodi do rizika od trovanja ugljen monoksidom, pregrevanja susednih površina u kontrolnih dugmadi. Korišćenje manjih tiganja dovodi do rizika od opekotina izazvanih plamenom.

Veliki simbol vatre odgovara najvećoj jačini kuvanja, mali simbol vatre odgovara najmanjoj jačini kuvanja. U položaju "isključeno" (gore), nema snabdevanja gorionika plinom.

### Paljenje plinskih gorionika



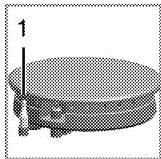
Plinski gorionici se pale pomoću dugmeta za paljenje.

1. Držite dugme za gorionik pritisnutim.
2. Okrenite ga u smeru suprotnom od kretanja kazaljke na satu do velikog simbola vatre.
3. Pritisnite i pustite dugme za paljenje. Ovaj postupak ponavljajte dok se plin ne upali.
4. Podesite željenu jačinu kuvanja.

### Isključivanje plinskih gorionika

Okrenite dugme za održavanje toplote na položaj "isključeno" (gore).

## Sigurnosni sistem za isključivanje gasa (kod modela sa termičkom komponentom)



1. Sigurnosni sistem za isključivanje gasa

Kao zaštitna mera od eksplozije usled preliivanja tečnosti preko gorionika, oslobada se sigurnosni mehanizam i isključuje dovod gasa.

- Za paljenje pritisnite dugme i okrenite ga u smeru suprotnom kretanju kazaljke na satu.
- Nakon paljenja gasa, držite dugme pritisnutim još 3-5 sekundi da biste aktivirali sigurnosni sistem.
- Ako se gas ne upali nakon što ste pritisnuli i pustili dugme, ponovite istu proceduru držeći dugme pritisnutim 15 sekundi.



### OPASNOST:

Pustite dugme ako se gorionik ne upali u roku od 15 sekundi.

Sačekajte najmanje 1 minut pre nego što pokušate ponovo. Postoji opasnost od akumulacije gasa i eksplozije!

## Upotreba ringli

Dugmad za ploču za kuvanje mogu se okretati u oba smeru na način koji omogućava kontrolu temperature u koracima.



Ako je ploča za kuvanje opremljena funkcijom pojačavača, odgovarajuća ringla biće označena crvenom tačkom.

## Zaštita od pregrejavanja

Ringle koje imaju snagu veću od 1000 W opremljene su zaštitom od pregrejavanja. Zaštita od pregrejavanja smanjuje snagu ringle u sledećim slučajevima:

- Na ringli nema posude ili šerpe.
- Na ringli je prazna posuda ili šerpa.
- Dno posude ili šerpe nije ravno.

## Uključivanje ringli

Koristite dugmad za ringle za rad ringli. Pomerajte dugmad za ringle do odgovarajuće jačine da biste postigli željenu jačinu kuvanja.

Jačina kuvanja	1	2 — 3	4 — 6
	zagrevanje	dinstanje, ključanje	kuvanje, prženje, kuvanje

## Isključivanje ringli

Okrenite dugme za ringlu u položaj "ISKLJUČENO" (gore).

## 6 Kako rukovati rernom

### Opšte informacije o pečenju, pečenju mesa i pečenju na roštilju



#### UPOZORENJE

Vruće površine mogu da prouzrokuju opekotine!  
Uređaj može da bude vruć za vreme upotrebe. Nikada ne dodirujte vruće gorionike, unutrašnje delove rerne, grejače itd. Udaljite decu.  
Uvek koristite termootporne rukavice za rernu kada posude stavljate ili vadite iz vruće rerne.



#### OPASNOST:

Vodite računa kada otvarate vrata rerne, jer može da izađe para.  
Para koja izlazi može da opeče vaše ruke, lice i/ili oči.

#### Saveti za pečenje

- Koristite odgovarajuće metalne tepsije ili aluminijumske posude ili termootporne silikonske kalupe.
- Prostor na polici iskoristite što je moguće bolje.
- Stavite kalup za pečenje na sredinu police.
- Izaberite pravilan položaj police pre nego što uključite rernu ili roštilj. Ne menjajte položaj police dok je rerna vruća.
- Vrata rerne držite zatvorena.

#### Saveti za pečenje mesa

- Prelivanje celog pileta, ćurke i velikih komada mesa sa prelivima kao što su sok od limuna i crni biber pre kuvanja će povećati efikasnost kuvanja.
- Pečenje mesa sa kostima traje 15 do 30 minuta duže u poređenju sa pečenjem iste količine mesa bez kostiju.
- Svaki centimetar debljine mesa zahteva približno 4 do 5 minuta kuvanja.
- Pustite da meso ostane u rerni oko 10 minuta po završetku vremena kuvanja (cooking time). Sokovi se bolje raspodeljuju po celom pečenju i ne ističu kada se meso seče.
- Riba se može staviti na srednju ili donju policu u termootpornu posudu.

#### Saveti za pečenje na roštilju

Ako se meso, riba i piletina peku na roštilju, oni brzo dobijaju braonkastu boju, imaju lepu koru i ne suše se. Ravni komadi, raznjići i kobasice su naročito pogodni za pečenje na roštilju, kao i povrće sa visokim sadržajem vode kao što su paradajz i crni luk.

- Rasporedite komade koje treba peći na žičanoj rešetki roštilja ili u plehu za pečenje sa rešetkom za roštilj tako da oni ne prelaze veličinu grejača.
- Namestite rešetku za roštilj ili pleh za pečenje sa rešetkom za roštilj na odgovarajući nivo u rerni. Ako pečete na rešetki za roštilj, namestite pleh za pečenje na donju policu radi sakupljanja masnoće. U pleh za pečenje dodajte malo vode radi lakšeg čišćenja.

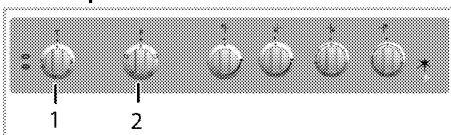


Hrana koja nije podesna za pečenje na roštilju može da prouzrokuje požar. Za pečenje na roštilju koristite samo hranu koja je prikladna za intenzivnu toplotu roštilja.

Ne stavljajte hranu u zadnji deo rešetke za roštilj. To je najtoplija oblast, pa bi masna hrana mogla da se upali.

### Kako koristiti električnu rernu

#### Izbor temperature i način rada



- 1 Obrtno dugme termostata
  - 2 Obrtno dugme za izbor funkcije
1. Podesite dugme za temperaturu na željenu temperaturu.
  2. Podesite dugme za izbor funkcije na željeni režim rada.

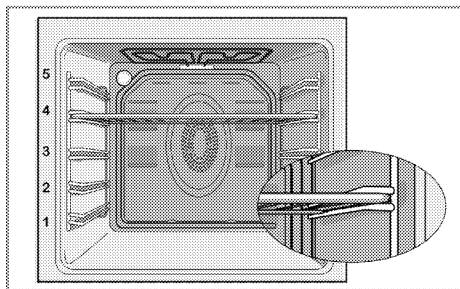
» Rerna se zagreva na podešenu temperaturu i održava je. Za vreme zagrevanja, kontrolna lamica za temperaturu je uključena.

#### Isključivanje električne rerne

Okrenite dugme za izbor funkcije i dugme termostata u položaj „isključeno“ (gore).

Važno je da se rešetka za roštilj pravilno postavi na žičanu policu. Rešetka za roštilj mora biti ubačena između žičanih policica kao što je prikazano na slici. Ne dozvolite da se rešetka za roštilj oslanja na zadnji zid rerne. Namestite rešetku za roštilj na prednji deo police i uglavite je uz pomoć vrata kako bi se postigla veća efikasnost pečenja na roštilju.

(Razlikuje se u zavisnosti od modela uređaja.)



## Režimi rada

Redosled radnih režima je prikazan tamo gde bi mogao da odstupa od konfiguracije vašeg proizvoda.

### Gornji i donji grejač



Gornji i donji grejač su uključeni. Jelo se istovremeno zagreva i od vrha i od dna. Na primer, pogodno je za torte, peciva, ili kolače i musaku u kalupima za pečenje. Kuvajte samo sa jednim plehom.

### Donji grejač



Uključen je samo donji grejač. Pogodan je za picu i da naknadno zapečete jelo odozdo.



Ova funkcija se mora koristiti i za lako čišćenje parom.

### Roštilj



Uključen je mali roštilj ispod gornjeg dela rerne. Pogodno za pečenje roštilja.

- Da biste ispekli roštilj, stavite male ili srednje porcije na odgovarajuću policu ispod grejača za roštilj.
- Podesite temperaturu na maksimalni nivo.
- Okrenite hranu nakon polovine vremena pečenja roštilja.

### Full grill (Veliki roštilj)



Uključen je veliki roštilj ispod gornjeg dela rerne. To je pogodno za pečenje velikog komada mesa na roštilju.

- Da biste ispekli roštilj, stavite velike ili srednje porcije na odgovarajuću policu ispod grejača za roštilj.
- Podesite temperaturu na maksimalni nivo.
- Okrenite hranu nakon polovine vremena pečenja roštilja.

### Tabela vremena kuvanja



Vremena navedena u tabeli su orijentaciona. Ona mogu da budu različita u zavisnosti od vrste hrane, debljine, tipa i vašeg načina kuvanja.

### Pečenje jela i pečenje mesa



Prva policica rerne je donja policica.

Jelo	Broj jačine kuvanja		Položaj police	Temperatura (°C)	Vreme kuvanja (približ. u min.)
**Kolači u plehu	Jedan nivo		4	175	30 ... 35
**Kolač u kalupu	Jedan nivo		2	175	40 ... 50
**Kolač u papiru	Jedan nivo		3	175	20 ... 30
**Koh	Jedan nivo		3	200	5 ... 10
**Kolač	Jedan nivo		3	175	20 ... 25
**Pecivo od kvasnog testa	Jedan nivo		2	200	30 ... 40
**Obogaćena peciva	Jedan nivo		2	200	25 ... 35
**Kvasac	Jedan nivo		2	200	35 ... 45
**Lazanje	Jedan nivo		2 - 3	200	30 ... 40
**Pica	Jedan nivo		2	200 ... 220	15 ... 20
Goveđe šnicle (cele) / Pečene	Jedan nivo		2	25 min. 250/maks., zatim 180 ... 190	100 ... 120
Jagnjeći but (musaka)	Jedan nivo		2	25 min. 220 zatim 180 ... 190	70 ... 90
Pečeno pile	Jedan nivo		2	15 min. 250/maks., zatim 190 ...	55 ... 65
Čurka (5,5 kg)	Jedan nivo		2	25 min. 250/maks., zatim 190 ...	150 ... 210


(\*\*) Za svrhe kuvanja koje zahteva prethodno zagrevanje, prethodno zagrejte rernu na početku procesa dok ne dostigne zadatu temperaturu.

### Saveti za pečenje kolača

- Ako je kolač previše suv, povećajte temperaturu za nekih 10 i skratite vreme pečenja.
- Ako je kolač vlažan, koristite manje tečnosti ili smanjite temperaturu za 10°C.
- Ako je kolač previše taman na površini, stavite ga na donju policu, smanjite temperaturu i produžite vreme pečenja.
- Ako je dobro ispečen iznutra ali je lepljiv spolja koristite manje tečnosti, smanjite temperaturu i produžite vreme pečenja.

### Saveti za pečenje testenine

- Ako je testenina previše suva, povećajte temperaturu za nekih 10 i skratite vreme pečenja. Naprskajte slojeve testa sosom od mleka, ulja, jaja i jogurta.
- Ako je testenini potrebno puno vremena da se ispeče, povedite računa da debljina testenine koju ste pripremili ne premašuje dubinu pleha.
- Ako gornji sloj testenine dobije braon boju, ali donji deo nije ispečen, postarajte se da se prevelika količina sosa koji ste upotrebili za testeninu ne nalazi na dnu testenine. Pokušajte da sos ravnomerno raspodelite na sve slojeve testa i na površinski sloj radi podjednako pečenja.




Testeninu pecite u skladu sa režimom i temperaturom, koji su navedeni u tablici kuvanja. Ako donji deo još uvek nije dovoljno ispečen, sledeći put pleh postavite za jedan nivo niže.

### Saveti za kuvanje povrća

- Ako jelo sa povrćem izgubi tečnost i postane previše suvo, kuvajte ga u šerpi sa poklopcem radije nego u plehu. Zatvorene posude će zadržati sokove jela.
- Ako se jelo od povrća ne skuva, obarite povrće pre samog kuvanja ili ga pripremite kao konzerviranu hranu i stavite u rernu.

### Kako rukovati roštiljem



**UPOZORENJE**  
Zatvorite vrata rerne za vreme pečenja na roštilju.  
Vruće površine mogu da prouzrokuju opekotine!


### Switching on the grill (Paljenje roštilja)

1. Okrenite dugme za izbor funkcija na željeni simbol roštilja.
2. Zatim izaberite željenu temperaturu roštilja.
3. Ako je potrebno, izvršite predzagrevanje oko 5 minuta.

» Lampica temperature se pali.

### Gašenje roštilja

1. Okrenite dugme za izbor funkcije u položaj "isključeno" (gore).



Hrana koja nije podesna za pečenje na roštilju može da prouzrokuje požar. Za pečenje na roštilju koristite samo hranu koja je prikladna za intenzivnu toplotu roštilja.  
Ne stavljajte hranu u zadnji deo rešetke za roštilj. To je najtoplija oblast, pa bi masna hrana mogla da se upali.

### Tabela vremena kuvanja za pečenje roštilja Pečenje na električnom roštilju

Hrana	Položaj police	Preporučena temperatura (°C)**	Vreme pečenja na roštilju (približno)
Riba	4...5	250/max	20...25 min. #
Pileći fileti	4...5	250/max	25...35 min.
Jagnjeći kotleti	4...5	250/max	20...25 min.
Govede kremenadle	4...5	250/max	25...30 min. #
Teleće kremenadle	4...5	250/max	25...30 min. #
Tost-hleb *	4	250/max	1...3 min.

# zavisno od debljine

\*Prethodno zagrevajte 5 minuta

\*\*Ako temperatura roštilja na vašem proizvodu ne može da se podesi, roštilj će raditi na maksimalnoj temperaturi.

## 7 Održavanje i nega

### Opšte informacije

Servisni vek trajanja ovog proizvoda će se produžiti i učestali problemi će se smanjiti ako se uređaj redovno čisti.



#### OPASNOST:

Isključite proizvod iz struje pre nego što započnete radove održavanja i čišćenje. Postoji opasnost od električnog udara!



#### OPASNOST:

Pre čišćenja sačekajte da se proizvod ohladi. Vruće površine mogu da prouzrokuju opekotine!

- Temeljno očistite uređaj posle svake upotrebe. Na taj način će biti moguće lakše ukloniti ostatak od kuvanja i izbeći njihovo obgorevanje pri sledećoj upotrebi uređaja.
- Za čišćenje nisu potrebna specijalna sredstva za čišćenje. Koristite toplu vodu i tečnost za pranje, meku tkaninu ili sunder za čišćenje uređaja i obrišite ga suvom tkaninom.
- Uvek se pobrinite da višak tečnosti nakon čišćenja bude temeljno obrisano i prosipana tečnost odmah uklonjena brisanjem.
- Nemojte koristiti sredstva za čišćenje koja sadrže kiselinu ili hlorid za čišćenje nerđajućih ili inox površina i ručice. Koristite mekanu tkaninu sa tečnim deterdžentom (ne abrazivnim) za brisanje tih delova, vodeći računa da brišete u jednom smeru.



Prilikom upotrebe nekih deterdženata ili sredstava za čišćenje mogla bi da se ošteti površina.

Ne koristite agresivne deterdžente, praškove/tečnosti za čišćenje ili oštre predmete tokom čišćenja.



Ne koristite paročištače za čišćenje uređaja da ne biste izazvali električni udar.

### Očistite ploču za kuvanje.

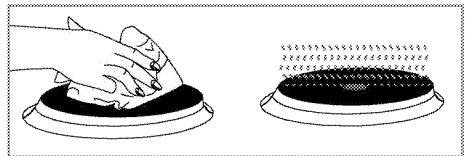
#### Plinske ploče za kuvanje

1. Sklonite i očistite nosače šerpe i poklopce gorionika.
2. Očistite ploču za kuvanje.
3. Instalirajte poklopce gorionika i proverite da li pravilno naležu.

4. Prilikom instaliranja gornjeg roštilja, vodite računa da držače za šerpu postavite tako da gorionici budu u centru.

#### Električne ploče za kuvanje

1. Isključite ringle i sačekajte da se ohlade.
2. Ako je potrebno, očistite ringle sredstvom za čišćenje (možete nabaviti sredstva za čišćenje/omekšavanje u specijalizovanim prodavnicama).
3. Zagrejte ih nekoliko minuta nakon čišćenja kako bi se njihova površina osušila.
4. Redovno nanosite tanak sloj mašinskog ulja na gornju površinu ploče za kuvanje kako biste je zaštitili.



#### Čišćenje komandne table

Komandnu tablu i obrtnu dugmad očistite vlažnom krpom i osušite brisanjem.



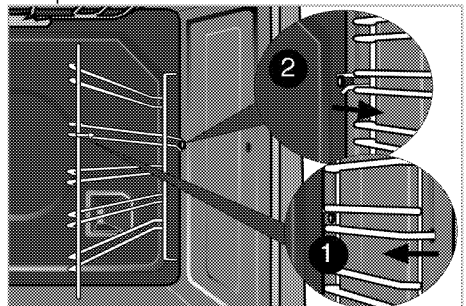
Ako je vaš proizvod opremljen tasterima/dugmad, ne uklanjajte kontrolnu dugmad radi čišćenja komandne table. Komandna tabla može da se ošteti!

#### Čišćenje rerne

#### Za čišćenje bočnog zida (Razlikuje se u zavisnosti od modela uređaja.)

(Ova funkcija je opciona. Možda neće postojati kod vašeg proizvoda.)

1. Uklonite prednji deo bočne police tako što ćete ga povući od bočnog zida.
2. Uklonite potpuno bočnu policu povlačeći je prema sebi.

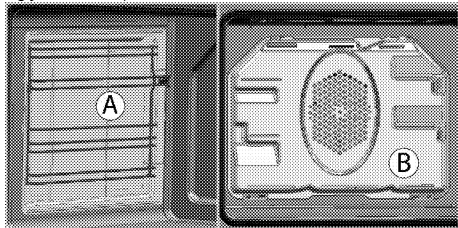




## Katalitički zidovi

(Ova funkcija je opcionalna. Možda neće postojati kod vašeg proizvoda.)

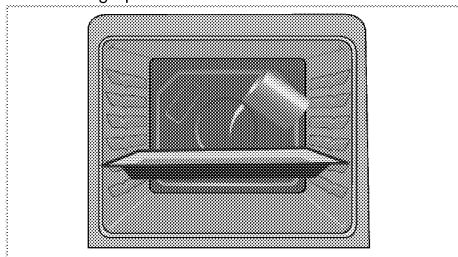
Unutrašnji bočni zidovi (A) i/ili zadnji zid (B) vašeg proizvoda mogu biti obloženi katalitičkim emajlom. Katalitički zidovi imaju svetlu mat boju i poroznu površinu. Katalitičke zidove rerne ne treba čistiti. Porozne površine katalitičkih zidova se automatski čiste upijanjem i konverzijom prolivenog ulja (para i ugljen-dioksid).



## Lako čišćenje parom

Omogućava lako čišćenje zato što je prljavština (koja nije mnogo stara) omekšana parom koja se stvara u unutrašnjosti rerne i kapima vode kondenzovanim na unutrašnjim površinama rerne.

1. Uklonite sav pribor i dodatne delove iz unutrašnjosti rerne.
2. Sipajte 500 ml vode u pleh rerne i postavite pleh na drugu policu rerne.



3. Podesite rernu da radi 25 minuta u režimu lako čišćenje parom na 100°C.
4. Otvorite vrata i obrišite unutrašnje površine rerne pomoću vlažnog sundera ili krpe.
5. Koristite toplu vodu i tečnost za pranje, meku tkaninu ili sunder za čišćenje uporne prljavštine i obrišite suvom tkaninom.

## Čišćenje vrata rerne

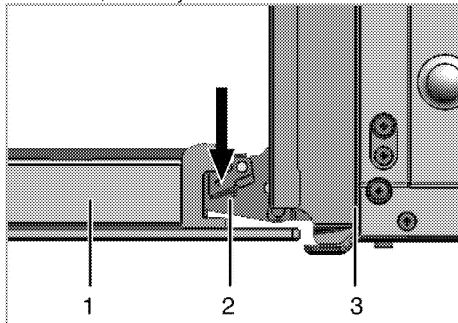
Za čišćenje vrata rerne, koristite toplu vodu i tečnost za pranje, meku tkaninu ili sunder za čišćenje uređaja i obrišite ga suvom tkaninom.



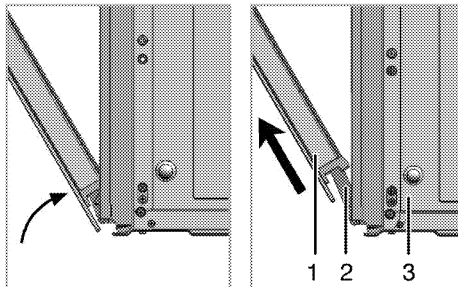
Ne koristite oštra sredstva za čišćenje ili tvrde metalne strugače za čišćenje vrata rerne. Oni mogu da izgrebu površinu i unište staklo.

## Skidanje vrata rerne

1. Otvorite prednja vrata (1).
2. Otvorite stezaljke na kućištu šarke (2) sa desne i leve strane prednjih vrata tako što ćete ih pritisnuti nadole, kao što je ilustrovano na slici.



- 1 Prednja vrata
- 2 Šarka
- 3 Rerna



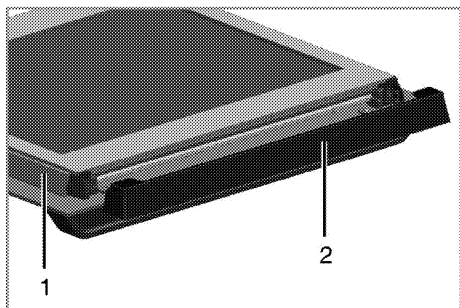
3. Prednja vrata pomerite do pola.
4. Skinite prednja vrata tako što ćete ih povući prema napred kako bi se oslobodila iz leve i desne šarke.



Korake načinjene prilikom procesa skidanja treba ponoviti obrnutim redosledom da bi se instalirala vrata. Ne zaboravite da zatvorite stezaljke na kućištu šarke kada ponovo nameštate vrata.

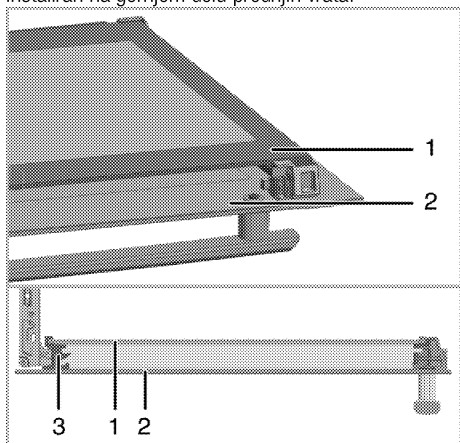
## Skidanje unutrašnjeg stakla na vratima (Ova funkcija je opcionalna. Možda neće postojati kod vašeg proizvoda.)

Unutrašnja staklena ploča u vratima rerne može da se izvadi radi čišćenja. Otvorite vrata rerne.



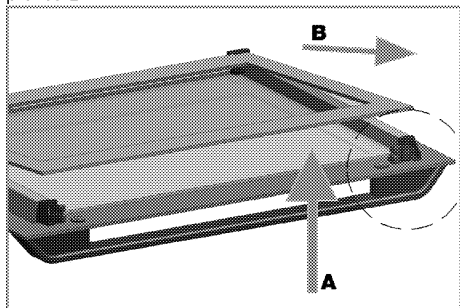
- 1 Okvir  
2 Plastičan deo

Povucite prema sebi i skinite plastični deo koji je instaliran na gornjem delu prednjih vrata.



- 1 Unutrašnja staklena ploča  
2 Spoljna staklena ploča  
3 Plastični žleb za staklenu ploču-donji

Kao što je prikazano na slici, lagano podignite najdublju staklenu ploču (1) u pravcu **A** i izvucite je u pravcu **B**.



Prilikom instaliranja unutrašnje staklene ploče (1), uverite se da je štampana strana ploče okrenuta prema unutrašnjosti.

Važno je da uglavite donji ugao unutrašnje staklene ploče u donji plastični žleb.  
Gurajte plastični deo prema okviru dok ne čujete "klik".

## Zamena sijalice u rerni



### OPASNOST:

Pre zamene sijalice u rerni uverite se da je proizvod isključen iz struje i ohlađen radi izbegavanja opasnosti od električnog udara. Vruće površine mogu da prouzrokuju opekotine!



Sijalica u rerni je specijalna električna sijalica koja je otporna na temperature do 300 °C. Pogledajte *Tehničke specifikacije, strana 12* za više detalja. Sijalice za rernu možete nabaviti kod ovlašćenih serviseru.



Položaj sijalice može da se razlikuje od položaja na slici.



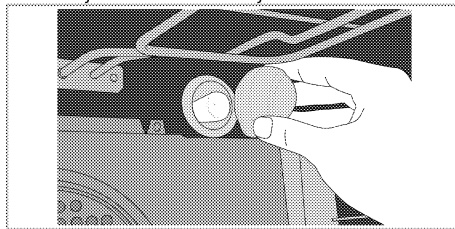
Lampa koja se koristi u ovom uređaju nije prikladna za osvetljavanje prostorije u domaćinstvu. Namena ove lampe je da pomogne korisniku da vidi hranu.



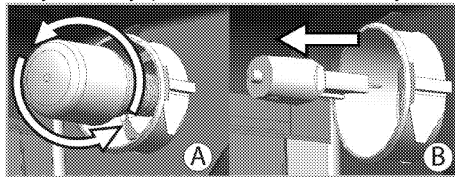
Lampe u ovom uređaju moraju da izdržavaju ekstremne fizičke uslove, kao što su temperature preko 50 °C.

### Ako vaša rerna ima okruglu sijalicu:

1. Isključite proizvod iz struje.
2. Stakleni poklopac okrećite suprotno smeru kazaljke na satu da biste je uklonili.



3. Ako je tip lampe u vašoj rerni tip (A) kao što je prikazano na slici u nastavku, uklonite je tako ćete je rotirati kao što je prikazano i zamenite je. Ako je u pitanju tip lampe (B), povucite je i uklonite je kao što je prikazano na slici i zamenite je.



4. Namestite stakleni poklopac.

## 8 Otklanjanje kvarova

### Rerna može da ispušta paru za vreme upotrebe.

- Normalno je da se u toku rada javlja para. >>> *To nije kvar.*

### Proizvod emituje metalni zvuk (buka) tokom grejanja i hlađenja.

- Kada se zagrevaju metalni delovi, može doći do njihovog širenja i izvešnog šuma. >>> *To nije kvar.*

### Proizvod ne radi.

- Osigurač napajanja je pregoreo ili je reagovao. >>> *Proverite osigurače u kutiji sa osiguračima. Ako je potrebno, zamenite ih ili ih resetujte.*
- Proizvod nije priključen na (uzemljenu) utičnicu. >>> *Proverite utikač.*

### Sijalica u rerni ne radi.

- Sijalica u rerni je u kvaru. >>> *Zamenite sijalicu u rerni.*
- Nema struje. >>> *Proverite da li ima struje. Proverite osigurače u kutiji sa osiguračima. Ako je potrebno, zamenite ih ili ih resetujte.*

### Rerna ne greje.

- Funkcija i/ili temperatura nisu podešeni. >>> *Podesite funkciju i temperaturu pomoću obrtnog dugmeta/tastera za izbor funkcije i/ili temperature.*
- Nema struje. >>> *Proverite da li ima struje. Proverite osigurače u kutiji sa osiguračima. Ako je potrebno, zamenite ih ili ih resetujte.*

### Nema varnice za paljenje.

- Nema struje. >>> *Proverite osigurače u kutiji sa osiguračima.*

### Nema plina.

- Glavna slavina za plin je zatvorena. >>> *Otvorite slavinu za plin.*
- Cev za plin je savijena. >>> *Pravilno instalirajte cev za plin.*

### Gorionici ne gore pravilno ili ne gore uopšte.

- Gorionici su prljavi. >>> *Očistite delove gorionika.*
- Gorionici su mokri. >>> *Osušite delove gorionika.*
- Poklopac gorionika nije sigurno namešten. >>> *Pravilno namestite delove gorionika.*
- Slavina za plin je zatvorena. >>> *Otvorite slavinu za plin.*
- Plinska boca je prazna (kada se koristi LPG). >>> *Zamenite plinsku bocu.*



Posavetujte se sa ovlašćenim serviserom ili distributerom na mestu kupovine proizvoda ukoliko ne možete da rešite problem i pored primene navedenih uputstava. Nikad ne pokušavajte sami da popravite neispravan proizvod.

