

the Perfect Press™

Instruction Book - BSG600



Breville®



Contents

- 2 Breville Recommends Safety First
- 8 Components
- 9 Functions
- 11 Care & Cleaning

BREVILLE RECOMMENDS SAFETY FIRST

At Breville we are very safety conscious. We design and manufacture consumer products with the safety of you, our valued customer, foremost in mind. In addition we ask that you exercise a degree of care when using any electrical appliance and adhere to the following precautions.

IMPORTANT SAFEGUARDS

READ ALL INSTRUCTIONS BEFORE USE AND SAVE FOR FUTURE REFERENCE

- Before using for the first time please ensure that your electricity supply is the same as shown on the rating label on the underside of the appliance. If you have any concerns please contact your local electricity company.
- The appliance is not intended for use by persons (including children) with reduced physical, sensory or mental capabilities, or lack of experience and knowledge, unless they have been given supervision or instruction concerning use of the appliance by a person responsible for their safety.

- Remove and safely discard any packaging material and promotional labels before using the grill for the first time.
- To eliminate a choking hazard for young children, remove and safely discard the protective cover fitted to the power plug of this appliance.
- Do not place the grill near the edge of a bench or table during operation.
- Ensure the surface is level, clean and free of water and other substances.
- Do not use the grill on a sink drain board.
- Do not place the grill on or near a hot gas or electric burner, or where it could touch a heated oven.
- Position the grill at a minimum distance of 20cm away from walls, curtains, cloths and other heat sensitive materials.
- Always operate the grill on a stable and heat resistant surface.
- Do not use on a cloth covered surface, near curtains or other flammable materials.
- Always ensure the grill is properly assembled before use. Follow the instructions provided in this book.
- Do not place anything on top of the grill when the lid is closed, when in use and when stored.
- Do not touch hot surfaces. Grill surfaces are hot during and after operation.
- To prevent burns or personal injury, always use protective hot pads or insulated oven mitts, or use handles or knobs where available.
- Do not leave the appliance unattended when in use.

- When operating the grill, ensure the power cord is kept away from any heat source including the surface of the grill. Ensure the power cord does not become trapped between the upper and lower hot plates of the appliance during use and storage.
- Do not attempt to operate the grill by any method other than those described in this booklet.
- Do not use harsh abrasives, caustic cleaners or oven cleaners when cleaning this grill.
- Keep the appliance clean and refer to care and cleaning section.
- If any of the contained instructions or warnings are not understood please contact Breville Customer Service for assistance.

IMPORTANT SAFEGUARDS FOR ALL ELECTRICAL APPLIANCES

- Fully unwind the power cord before use.
- Do not let the power cord hang over the edge of a bench or table, touch hot surfaces or become knotted.
- Connect only to a 230V or 240V power outlet.
- To protect against electric shock, do not immerse the power cord, power plug or appliance in water or any other liquid.

- The appliance can be used by children aged from 8 years and above and persons with reduced physical, sensory or mental capabilities, or lack of experience and knowledge, if they have been given supervision or instruction concerning use of the appliance in a safe way and understand the hazards involved.
- Children shall not play with the appliance.
- The appliance should be positioned in a stable situation with the handles positioned to avoid spillage of oil.
- Surfaces are liable to get hot during use.
- Cleaning and user maintenance shall not be made by children unless they are older than 8 and supervised.
- Keep the appliance and its cord out of reach of children less than 8 years.
- It is recommended to regularly inspect the appliance. To avoid a hazard do not use the appliance if power cord, power plug or appliance becomes damaged in any way. If damaged or maintenance other than cleaning is required, please contact Breville Customer Service on 1300 139 798.
- Any maintenance other than cleaning should be performed at an authorised Breville Service Centre.
- The use of attachments not sold or recommended by Breville may cause fire, electric shock or injury.
- This appliance is for household use only. Do not use this appliance for other than its intended use. Do not use in moving vehicles or boats. Do not use outdoors. **Misuse may cause injury.**

- The installation of a residual current device (safety switch) is recommended to provide additional safety protection when using electrical appliances. It is advisable that a safety switch with a rated residual operating current not exceeding 30mA be installed in the electrical circuit supplying the appliance. See your electrician for professional advice.
- Always turn the appliance to the OFF position, switch off at the power outlet and unplug at the power outlet when the appliance is not in use.
- Before cleaning, always turn the appliance to the OFF position, switch off at the power outlet, unplug at then power outlet and remove the power cord, if detachable, from the appliance and allow all parts to cool.
- The appliance is not intended to be operated by means of an external timer or a separate remote control system.
- Regularly inspect the supply cord, plug and actual appliance for any damage. If found damaged in any way or maintenance other than cleaning is required, immediately cease use of the appliance and contact Breville Customer Service on 1300 139 798.

- Do not place this appliance on or near a heat source, such as hot plate, oven or heaters.
- Position the appliance at a minimum distance of 20cm away from walls, curtains and other heat or steam sensitive materials and provide adequate space above and on all sides for air circulation.



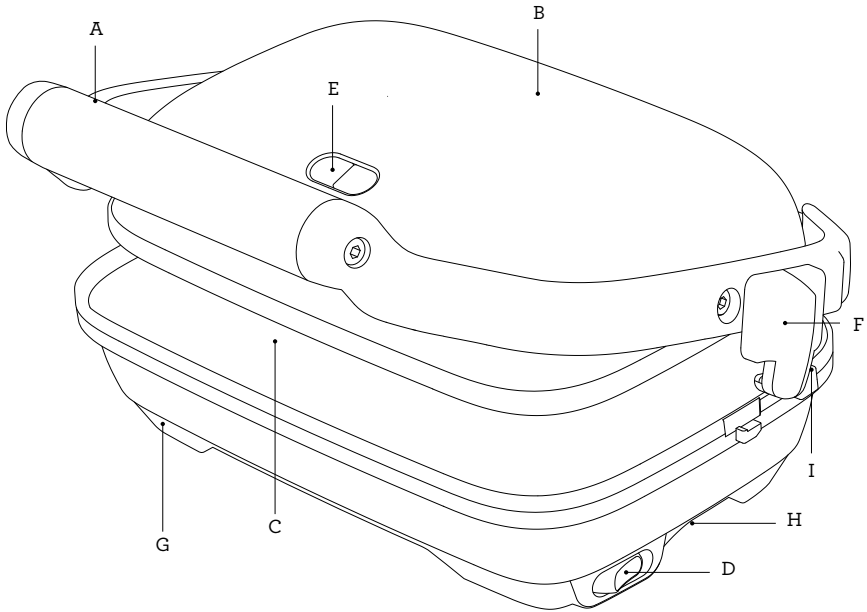
IMPORTANT

- Fully unwind the power cord before use. Ensure appliance is fully cooled before storing power cord inside the cord wrap.

**FOR HOUSEHOLD USE ONLY
SAVE THESE INSTRUCTION**



Components



- A. Top plate handle
- B. Top plate
- C. Flat non-stick cooking plates
For extra crispy toasted results.
Lower cooking plate has easy wipe corners.
- D. On/Off switch
- E. 'Power' and 'Ready' lights
Indicate when the sandwich press is
heating or ready to use.
- F. Adjustable Height Control clip
With 3 settings for OPEN MELT,
CRUSH CONTROL and LOCK position
for vertical storage.
- G. Non-slip feet
- H. Convenient cord wrap in base
- I. Power cable with Breville Assist® Plug
(Not Shown).



Functions

BEFORE FIRST USE

Remove any promotional materials and packaging materials before use. Check that the cooking plates are clean and free of dust. If necessary, wipe over with a damp cloth.

When using the sandwich press for the first time you may notice a fine smoke haze. This is caused by the heating of some of the components. There is no need for concern.



NOTE

- Always allow the sandwich press to pre-heat until the green 'READY' light illuminates.
- The LOCK position is for the storage only. It should not be used to clamp down the top cooking plate when sandwiches are in the sandwich press.

CRUSH CONTROL

TOASTED SANDWICH

This setting will reduce the weight of the top cooking plate, giving fluffy cooking results similar to cooking in a frying pan.

1. Insert the power plug into a 240V power outlet. Switch the On/Off switch to the ON position. The orange 'POWER' light will illuminate.
2. Allow the sandwich press to preheat with the top cooking plate in the closed position until the green 'READY' light illuminates.
3. Place sandwich on the bottom cooking plate. Always place sandwiches in the center of the bottom cooking plate.
4. Move the Adjustable Height Control clip on the right hand side of the sandwich press to the CRUSH CONTROL position.

5. Close the top cooking plate. The top cooking plate has a crush control hinge that is designed to evenly and lightly press down the sandwich.



6. Toasting should take approximately 3-5 minutes. Exact toasting time will be a matter of taste. It will also depend on the type of bread and type of filling used.
7. When the sandwich is cooked, use the handle to open the sandwich press and raise the top cooking plate. Remove sandwich with a plastic or wooden spatula. Never use metal tongs or a knife as these can cause damage to the non-stick coating.



Hot Surfaces
Do Not Touch

This symbol indicates, temperature of accessible surfaces may be high when the appliance is operating and for some time after use.



WARNING

Fully unwind the power cord from the cord wrap before use.

OPEN SANDWICH MELTS

1. Insert the power plug into a 240V power outlet. Switch the On/Off switch to the ON position. The orange 'POWER' light will illuminate.
2. Allow the sandwich press to preheat with the top cooking plate in the closed position until the green 'READY' light illuminates.
3. Place sandwich to be melted on the bottom plate. Always place sandwiches in the centre of the bottom cooking plate.
4. Open the lid and move the Adjustable Height Control clip on the right hand side of the sandwich press to OPEN MELT position.



5. Slowly lower the top plate until it sits in the OPEN MELT position.
6. The top plate will radiate the desired heat to melt ingredients such as cheese.
7. Toasting melts should take approximately 5-7 minutes. However, exact toasting time will be a matter of taste. It will also depend on how far the food is away from the top plate.



Care & Cleaning

Before cleaning, switch the On/Off switch to the Off position and unplug the sandwich press. Allow your sandwich press to cool before cleaning.

Always clean your sandwich press after each use to prevent a buildup of baked-on foods.

Wipe cooking plates with a soft cloth. If cooked on food is not removed by this method reheat the unit for 1-2 minutes, then brush with a little oil or melted butter.

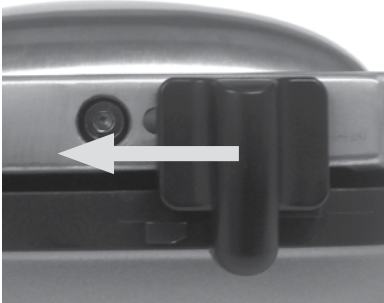


NOTE

- The cooking plates are coated with a non-stick surface; do not use abrasives.
- Do not use spray-on non-stick coatings as this will affect the performance of the non-stick surface on the cooking plates.

STORAGE

1. Switch the On/Off switch to the Off position and unplug the sandwich press.
2. Allow the sandwich press to fully cool.
3. Move the Adjustable Height Control clip on the right hand side of the sandwich press to LOCK position so that the top and bottom cooking plates are locked together.



4. Wrap the power cord in the cord storage area below the appliance.



5. The sandwich press is designed to be stored at upright position for compact storage. Store on a flat, dry, level surface.



WARNING

DO NOT IMMERSE ANY PART OF THE SANDWICH PRESS IN WATER OR ANY OTHER LIQUID.

Any other servicing should be performed by an authorised service representative.

Breville Customer Service Centre

Australian Customers

Mail: Locked Bag 2000
Botany NSW 1455
AUSTRALIA

Phone: 1300 139 798

Fax: (02) 9700 1342

Email: askus@breville.com.au

Web: www.breville.com.au

New Zealand Customers

Mail: Private Bag 94411
Botany Manukau 2163
Auckland NEW ZEALAND

Phone: 0800 273 845

Fax: 0800 288 513

Email: askus@breville.co.nz

Web: www.breville.co.nz

Breville®
Thought for food

Breville is a registered trademark of Breville Pty. Ltd. A.B.N. 98 000 092 928.
Copyright Breville Pty. Ltd. 2016.

Due to continued product improvement, the products illustrated/photographed
in this brochure may vary slightly from the actual product.