

EPH09MLIW  
EPH12MLIW  
EXH09RLEW  
EXH12RLEW

---

EN	User Manual	2
DA	BRUGERVEJLEDNING	26
SV	BRUKSANVISNING	48
NO	BRUKSANVISNING	70
FI	OHJEKIRJA	92



**Electrolux**

## TABLE OF CONTENTS

Safety precautions .....	3
Description.....	6
Remote control .....	6
Cleaning and maintenance.....	12
Troubleshooting.....	13
Operation tips .....	15
Installation.....	16
Health filter.....	25

## WE'RE THINKING OF YOU

Thank you for purchasing an Electrolux appliance. You've chosen a product that brings with it decades of professional experience and innovation. Ingenious and stylish, it has been designed with you in mind. So whenever you use it, you can be safe in the knowledge that you'll get great results every time.

Welcome to Electrolux.

### Visit our website for:



Get usage advice, brochures, trouble shooter, service information:  
**[www.electrolux.com](http://www.electrolux.com)**



Register your product for better service:  
**[www.electrolux.com/productregistration](http://www.electrolux.com/productregistration)**



Buy Accessories, Consumables and Original spare parts for your appliance:  
**[www.electrolux.com/shop](http://www.electrolux.com/shop)**

## CUSTOMER CARE AND SERVICE

We recommend the use of original spare parts.

When contacting Service, ensure that you have the following data available.

The information can be found on the rating plate. Model, PNC, Serial Number.



Warning / Caution-Safety information



General information and tips



Environmental information

Subject to change without notice.

## SAFETY PRECAUTIONS


- Read the manual carefully before operation.
- Keep the manual for further reference.
- This appliance can be used by children aged from 8 years and above and persons with reduced physical, sensory or mental capabilities or lack of experience and knowledge if they have been given supervision or instruction concerning use of the appliance in a safe way and understand the hazards involved. Children shall not play with the appliance. Cleaning and user maintenance shall not be made by children without supervision.
- If something abnormal occurs (e.g. unpleasant smells of burning), disconnect the unit from the power supply and contact an authorised service centre. If the abnormality remains, the air conditioner may be damaged or even cause electric shock or fire.
- Before cleaning or maintenance, switch off the unit and disconnect the unit from the power supply. If the unit is connected to a fuse box, remove the fuse.
- If the supply cord is damaged, it must be replaced by the manufacturer, its service agent or similarly qualified persons in order to avoid a hazard.
- Do not use an unspecified mains cord to prevent electric shock or fire.
- The unit must be installed according to national regulations for electrical safety. Incorrect wiring can lead to over heat or fire in the cable, the plug or the electrical outlet.
- Do not switch on and off the unit frequently.
- If the voltage is too high, electrical elements will be damaged easily, If the voltage too low, the compressor will vibrate fiercely and damage the cooling system or the compressor. Electrical components cannot be operated.
- Make sure that the unit is properly grounded to prevent electric shock.

## SAFETY PRECAUTIONS

- Do not attempt to repair the unit yourself to prevent electric shock or fire. Have the unit repaired by an authorised service centre.
- Keep combustible materials at least 1 m from the unit to prevent fire or explosion.
- Install the outdoor unit firmly to prevent personal injury.
- Do not stand on the outdoor unit. Do not place heavy things on the outdoor unit.
- Do not block the air inlet or the air outlet.
- Do not splash water on the unit to prevent electric shock.
- Do not operate the unit with wet hands to prevent electric shock.
- Do not insert your hands or objects into the air inlet or the air outlet.
- Do not expose animals or plants directly to the air flow.
- Do not expose yourself to cold air directly for a long time.
- Do not use the unit for any other purpose, such as preserving food or drying clothes.
- Select the most appropriate temperature to save electric energy.
- Do not keep windows and doors open for a long time during operation.
- To change the airflow direction, use remote control to adjust the horizontal and vertical airflow direction.
- Do not use fire or hair dryer to dry the filter to avoid deformation or fire hazard.
- Keep heat sensible material at least 1 meter far from air flow to prevent damaging.

## SAFETY PRECAUTIONS

- Do not dispose this product as unsorted municipal waste. Collection of such waste separately for special treatment is necessary.

Correct Disposal of this product	
	<p>This marking indicates that this product should not be disposed with other household wastes throughout the EU. To prevent possible harm to the environment or human health from uncontrolled waste disposal, recycle it responsibly to promote the sustainable reuse of material resources. To return your used device, please use the return and collection systems or contact the retailer where the product was purchased. They can take this product for environmental safe recycling.</p>

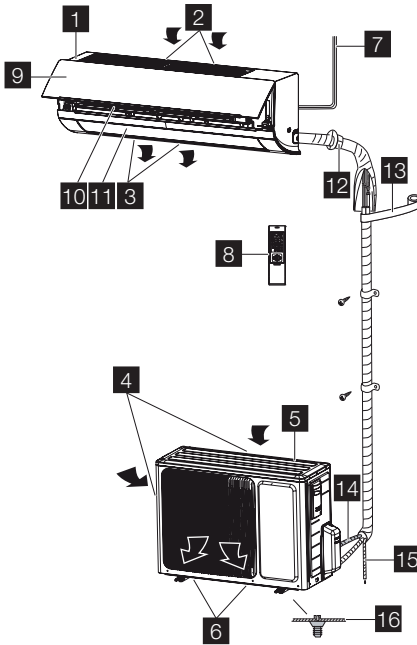
You can also get this manual through your local distributor or by visiting our website.

Please find the Electrolux web addresses to your local country from below table.

Country	Website address	Country	Website address
Albania	<a href="http://www.electrolux.al">www.electrolux.al</a>	Netherlands	<a href="http://www.electrolux.nl">www.electrolux.nl</a>
Austria	<a href="http://www.electrolux.at">www.electrolux.at</a>	Norway	<a href="http://www.electrolux.no">www.electrolux.no</a>
Belgium	<a href="http://www.electrolux.be">www.electrolux.be</a>	Poland	<a href="http://www.electrolux.pl">www.electrolux.pl</a>
Bulgaria	<a href="http://www.electrolux.bg">www.electrolux.bg</a>	Portugal	<a href="http://www.electrolux.pt">www.electrolux.pt</a>
Croatia	<a href="http://www.electrolux.hr">www.electrolux.hr</a>	Romania	<a href="http://www.electrolux.ro">www.electrolux.ro</a>
Czech Republik	<a href="http://www.electrolux.cz">www.electrolux.cz</a>	Serbia	<a href="http://www.electrolux.rs">www.electrolux.rs</a>
Denmark	<a href="http://www.electrolux.dk">www.electrolux.dk</a>	Slovakia	<a href="http://www.electrolux.sk">www.electrolux.sk</a>
Finland	<a href="http://www.electrolux.fi">www.electrolux.fi</a>	Slovenia	<a href="http://www.electrolux.sl">www.electrolux.sl</a>
France	<a href="http://www.electrolux.fr">www.electrolux.fr</a>	Spain	<a href="http://www.electrolux.es">www.electrolux.es</a>
Germany	<a href="http://www.electrolux.de">www.electrolux.de</a>	Sweden	<a href="http://www.electrolux.se">www.electrolux.se</a>
Greece	<a href="http://www.electrolux.gr">www.electrolux.gr</a>	Switzerland	<a href="http://www.electrolux.ch">www.electrolux.ch</a>
Hungary	<a href="http://www.electrolux.hu">www.electrolux.hu</a>	Turkey	<a href="http://www.electrolux.com.tr">www.electrolux.com.tr</a>
Italy	<a href="http://www.electrolux.it">www.electrolux.it</a>	UK & Ireland	<a href="http://www.electrolux.co.uk">www.electrolux.co.uk</a>
Luxembourg	<a href="http://www.electrolux.lu">www.electrolux.lu</a>		

Please visit [www.electrolux.com](http://www.electrolux.com) for more information.

# DESCRIPTION



- 1 Indoor unit
- 2 Air inlet (indoor unit)
- 3 Air outlet (indoor unit)
- 4 Outdoor unit
- 5 Air inlet (outdoor unit)
- 6 Air outlet (outdoor unit)
- 7 Mains cord
- 8 Remote control
- 9 Front panel
- 10 Filter
- 11 Horizontal louvre
- 12 Wall pipe
- 13 Binding tape
- 14 Connection pipe
- 15 Drain hose
- 16 Drain connector

# REMOTE CONTROL

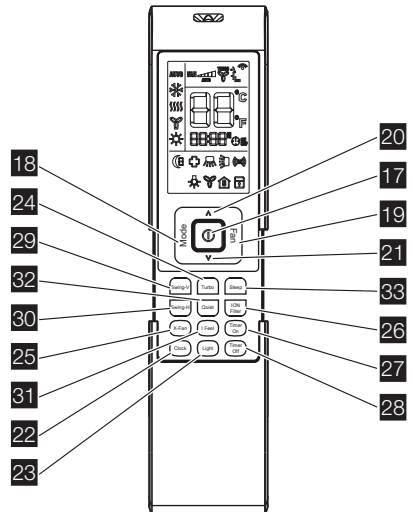
The remote control can be used for different models. Depending on the model, some functions on the remote control might not be available.

**CAUTION**

- Do not drop or throw the remote control.
- Do not pour liquid onto the remote control.
- Do not expose the remote control to direct sunlight.
- Do not place the remote control in areas where it is very hot.

**NOTE**

- Make sure that there are no objects between the signal transmitter on the remote control and the signal receiver of the unit.



## Explanation of buttons

Nr.	Button	Explanation
17	ON/OFF	Press the button to switch on the unit. Press the button again to switch off the unit.
18	MODE	Press the button to set the operation mode: AUTO, COOL, DRY, FAN and HEAT. Default setting: AUTO.  In the AUTO mode, the temperature is not shown. In HEAT mode, the initial value is 28 °C (82 °F). In other modes, the initial value is 25 °C (77 °F).
19	FAN	Press the button to set the fan speed: AUTO, LOW, MEDIUM LOW, MEDIUM, MEDIUM HIGH and HIGH. Default setting: AUTO. In the DRY mode, only LOW can be set.
20	UP ^	Press the button to increase the temperature. Keep the button pressed for two seconds to accelerate the process. Release the button to set the temperature and send the order that the °C/°F signal will be displayed constantly.  Temperature range: 16-30 °C (61-86 °F).  In AUTO mode, the temperature cannot be set. If you press the UP or DOWN button, a beep will sound.
21	DOWN v	Press the button to decrease the temperature. Keep the button pressed for two seconds to accelerate the process. Release the button to set the temperature and send the order that the °C/°F signal will be displayed constantly.  Temperature range: 16-30 °C (61-86 °F).  In AUTO mode, the temperature cannot be set, but the order can be sent by pressing the button.
22	CLOCK	Press the button to set the clock. If the clock symbol blinks, press the UP or DOWN button to set the time. Keep the button pressed for two seconds to accelerate the process. Press the CLOCK button again to set the clock. The clock symbol stops blinking.  After battery replacement, "12:00 PM" will be shown. If the clock symbol is visible, the actual time will be shown. If the clock symbol is not visible, the timer will be shown.
23	LIGHT	Press the button to switch the display of the indoor unit on or off. Default setting: OFF.
24	TURBO	In COOL or HEAT mode, press the button to enable or disable the turbo function. If the turbo function is enabled, the turbo symbol will be shown. Default setting: OFF.  If the turbo function is enabled, the unit will operate at turbo speed to cool or heat rapidly so that the ambient temperature approaches the set temperature as soon as possible.

		If the operation mode or the fan speed is changed, the turbo symbol will not be shown.
25	X-FAN	In COOL or DRY mode, press the button to enable or disable the X-FAN function. If the X-FAN function is enabled, the X-FAN symbol will be shown. Default setting: OFF.
		If the X-FAN function is enabled, the indoor fan will continue operation at low speed for 2 minutes after switching off the unit. This function prevents the possible condensation on cold parts of the indoor unit. Press the X-FAN button to switch off the unit during the process.
		If the X-FAN function is disabled, the unit will be switched off immediately.
		In AUTO, FAN or HEAT mode, X-FAN is not available.
26	ION-FILTER	Press the button to enable or disable the operation of the health filter.
27	TIMER ON	Press the button to set the timer function for switching on the unit. If the TIMER ON symbol blinks, press the UP or DOWN button to set the time. Keep the button pressed for two seconds to accelerate the process. Press the button to set the timer. Default setting: 8:00 AM (12-hour mode). Press the button again to cancel the timer function.
28	TIMER OFF	Press the button to set the timer function for switching off the unit. If the TIMER OFF symbol blinks, press the UP or DOWN button to set the time. Keep the button pressed for two seconds to accelerate the process. Press the button to set the timer. Default setting: 5:00 PM (12-hour mode). Press the button again to cancel the timer function.
29	SWING-V	Press the button to enable or disable the vertical swing function.
30	SWING-H	Press the button to enable or disable the horizontal swing function.
31	I FEEL	Press the button to enable or disable the I FEEL function. If the I FEEL function is enabled, the I FEEL symbol will be shown.
		If the I FEEL symbol is enabled, the remote control will send the ambient temperature to the main unit every 10 minutes or when you press one of the buttons.
32	QUIET	Press the button to enable or disable the QUIET function. If the QUIET function is enabled, the indoor fan operates at ultra-low speed so that the indoor noise is low.
33	SLEEP	Press the button to select (SLEEP 1, SLEEP 2, SLEEP 3 or SLEEP CANCEL). Default setting: SLEEP CANCEL.
	SLEEP 1	In COOL and DRY mode:

	Sleep status after 1 hour of operation: The temperature will increase by 1 °C.
	Sleep status after 2 hours of operation: The temperature will increase by 2 °C.
	After this time the unit continues to use the new temperature.
	In HEAT mode:
	Sleep status after 1 hour of operation: The temperature will decrease by 1 °C.
	Sleep status after 2 hours of operation: The temperature will decrease by 2 °C.
	After this time the unit continues to use the new temperature.
SLEEP 2	In COOL mode:
	If you set a temperature of 16-23 °C, the temperature will increase by 1 °C every hour. After 3 °C, the temperature will be maintained. After 7 hours, the temperature will decrease by 1 °C. After this time the unit continues to use the new temperature.
	If you set a temperature of 24-27 °C, the temperature will increase by 1 °C every hour. After 2 °C, the temperature will be maintained. After 7 hours, the temperature will decrease by 1 °C. After this time the unit continues to use the new temperature.
	If you set a temperature of 28-29 °C, the temperature will increase by 1 °C every hour. After 1 °C, the temperature will be maintained. After 7 hours, the temperature will decrease by 1 °C. After this time the unit continues to use the new temperature.
	If you set a temperature of 30 °C, the temperature will decrease by 1 °C after 7 hours. After this time the unit continues to use the new temperature.
	In HEAT mode:
	If you set a temperature of 16 °C, the unit will operate at this temperature.
	If you set a temperature of 17-20 °C, the temperature will decrease by 1 °C every hour. After 1 °C, the temperature will be maintained.
	If you set a temperature of 21-27 °C, the temperature will decrease by 1 °C every hour. After 2 °C, the temperature will be maintained.
	If you set a temperature of 28-30 °C, the temperature will decrease by 1 °C every hour. After 3 °C, the temperature will be maintained.

SLEEP 3	The user-dejned behaviour mode. The time on remote control will show "1hour". The temperature to use after 1 hour will blink.
	Press the UP and DOWN buttons to set the desired temperature. Press the TURBO button again to confrm.
	The value "1hour" will increase to the value "2hours", "3hours" or "8hours". In each step the corresponding temperature will blink.
	Repeat the above (2 3) operation for the "2hours", "3hours" and "8hours" steps.
	Sleep3: Display the set temperatures: Select SLEEP 3 without changing temperature. Press the TURBO button to confrm.
	Note: The above setting or enquiry procedure terminates if no button is pressed for 10 seconds. The ON/OFF button, the MODE button and the SLEEP button also terminate the setting or enquiry procedure.

## General operation

1. Disconnect the unit from the power supply.
2. Press the ON/OFF button to start the unit.
3. Press the MODE button to set the operation mode.
4. Press the UP and DOWN buttons to set the temperature. (Note: It is unnecessary to set the temperature in AUTO mode.)
5. Press the FAN button to set the fan speed.
6. Press the SWING-H and SWING-V buttons to set the swing.

## Optional operation

1. Press the SLEEP button to enable or disable the sleep mode.
2. Press the TIMER ON and TIMER OFF buttons to enable or disable the timer function.
3. Press the LIGHT button to turn on or to turn off the display of the indoor unit.
4. Press the TURBO button to enable or disable the turbo function.

## Special functions

### AUTO mode

The temperature will not be displayed. The unit automatically sets the operation mode.

Locking/unlocking the remote control  
Simultaneously press the SWING-V button and the ION-FILTER button to lock or unlock the remote control. If the remote control is locked, the LOCK symbol will be shown. Press any button to make the LOCK symbol blink 3 times and unlock the remote control. If the remote control is unlocked, the LOCK symbol will not be shown.

Celsius (°C) ~ Fahrenheit (°F)

If the unit is switched off, simultaneously press the SWING-H button and the ION-FILTER button to switch between Celsius (°C) and Fahrenheit (°F).

### Energy-saving function

In COOL mode, simultaneously press the ION-FILTER button and the CLOCK button to enable or disable the energy-saving function. The display shows "SE".

### 8 °C heating function

In HEAT mode, simultaneously press the ION-FILTER button and the CLOCK button to enable or disable the 8 °C heating function. The display shows "8 °C" ("46 °F"). The unit starts to heat when the temperature drops below 8 °C. Fan Speed will be AUTO and cannot be changed.

## Replacng the batteries

The remote control operates with two 1.5V AAA batteries.

1. Open the battery compartment.
2. Remove the old batteries.
3. Insert the new batteries. Make sure that the positive (+) and negative (-) markings on the batteries match the positive (+) and negative (-) markings on the battery compartment.
4. Close the battery compartment.



### CAUTION

- Always use new batteries of the same type. Do not use old batteries or different batteries types.
- Remove the batteries when the remote control will not be used for a long time.

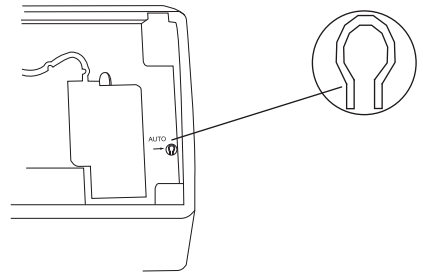
### NOTE

- Operate the remote control within its transmitting and receiving range.
- Operate the remote control at least 1 m away from your TV set or stereo sound set.

- Aim the remote control at the receiver of the main unit to improve the receiving sensitivity of the main unit.
- If the remote control transmits a signal, the transmitting symbol will blink for 1 second. The bell will ring if the main unit receives the signal.
- If the remote control does not operate normally, remove the batteries and insert them again 30 seconds later. If the remote control still does not operate normally, replace the batteries.

## Emergency operation

If the remote control cannot be used, use the AUTO/STOP button on the main unit. The unit will operate in AUTO mode. The temperature or fan speed cannot be changed.



1. Press the AUTO/STOP button to switch on the unit. The unit automatically sets the operation mode.
2. Press the AUTO/STOP button again to switch off the unit.

Mode	Model	Temperature setting	Fan speed
AUTO	Cooling only	25 °C (COOL, FAN)	AUTO
AUTO	Heat pump	25 °C (COOL, FAN)	AUTO
AUTO	Heat pump	20 °C (HEAT)	AUTO

# CLEANING AND MAINTENANCE



## WARNING

- Before cleaning and maintenance, disconnect the unit from the power supply.
- Do not immerse the unit in water or other liquids. If the unit is immersed in water or other liquids, do not remove the unit with your hands. Immediately disconnect the unit from the power supply. If the unit is immersed in water or other liquids, do not use the unit again.
- Do not splash water on the unit to prevent electric shock.



## CAUTION

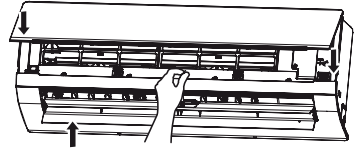
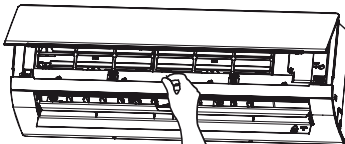
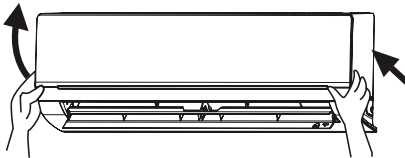
- Do not use aggressive liquids (e.g. thinner or gasoline) to clean the unit. Clean the unit using a soft, dry cloth or a cloth slightly moistened with water or cleaner.

## Cleaning the front panel

1. Remove the front panel.
2. Clean the front panel using a cloth slightly moistened with water.
3. Install the front panel.

## Cleaning the air filter

The air filter must be cleaned every 3 months.



## WARNING

- Do not touch the fin of the indoor unit to prevent personal injury.



## CAUTION

- Do not use water above 45 °C to clean the air filter to prevent deformation or discoloration.
1. Open the front panel.
  2. Remove the air filter.
  3. Remove dust from the air filter using a vacuum cleaner.
  4. If the air filter is dirty, clean the air filter with warm water and a mild detergent. Allow the air filter to dry naturally in a cool, dark place.
  5. Install the air filter.
  6. Close the front panel.

## Check before use

- Make sure that nothing obstructs the air inlet or the air outlet.
- Make sure that the installation stand of the outdoor unit is not damaged. If the installation stand is damaged, consult a qualified technician.
- Make sure that the batteries are inserted into the remote control.

## Maintenance after use

- Disconnect the unit from the power supply.
- Clean the filters and the housings of the indoor unit and the outdoor unit.
- Remove any obstructions from the outdoor unit.

## TROUBLESHOOTING

**CAUTION**

- The unit is not user-serviceable. Do not attempt to repair the unit yourself to prevent electric shock or fire. Have

the unit repaired by an authorised service centre. The following checks can save you time and money before consulting an authorised service centre.

<b>Problem</b>	<b>Solution</b>
The unit does not operate.	The unit does not operate if it is switched on immediately after switching off the unit. After switching off the unit, wait for approximately 3 minutes before switching on the unit.
Odours are emitted.	Some odours may be emitted from the indoor unit as the result of room smells (furniture, tobacco, etc.) which have been taken into the unit. If the odours persist, contact an authorised service centre.
Water-kowing noise.	The water-kowing noise is the refrigerant kowing inside the unit.
Mist is emitted in COOL mode.	During cooling operation, mist may be emitted from the indoor unit due to high room temperature and humidity. The mist will disappear if the room temperature and humidity decrease.
Cracking noise.	The cracking noise is the sound of friction caused by expansion and/or contraction of the front panel or other parts due to the change in temperature.
The unit cannot be started.	Is the unit disconnected from the power supply? Is the mains plug loose? Is the circuit protection device tripped off? Is the voltage higher or lower? (tested by professionals) Is the timer function used correctly?
The cooling/heating effect is poor.	Is the temperature set correctly? Is the air inlet or the air outlet blocked? Is the air filter dirty? Is the window or the door open? Is a low fan speed set? Are there heat sources in the room?

The remote control does not work.	Is there any magnetic or electrical interference near the unit? If yes, remove and reinsert the batteries.
	Is the remote control within its transmitting and receiving range without any obstructions? If necessary, replace the batteries.
	Is the remote control damaged?
Water leakage in indoor unit.	The room humidity is high.
	Condensing water overflows.
	The drain hose is loose.
Water leakage in outdoor unit.	In COOL mode, water condensate is generated around the pipes and connection joints.
	In HEAT mode, the water on the heat exchanger drips out.
	In defrost mode, the thaw water flows out.
Noise from indoor unit.	The noise emitted when the fan or compressor relay is switched on or off.
	If the defrost mode is started or stopped, you will hear the sound of refrigerant flowing in the reverse direction.
The indoor unit cannot blow air.	In HEAT mode, when the temperature of the indoor heat exchanger is low, the airflow is stopped within 2 minutes in order to prevent cold air.
	In HEAT mode, when the outdoor temperature is low or the outdoor humidity is high, frost will be formed on the outdoor heat exchanger. The unit will defrost automatically and the indoor unit will stop blowing air for 3-12 minutes.
	In DRY mode, the indoor fan will stop blowing air for 3-12 minutes in order to avoid condensing water being vaporised again.
	In defrost mode, water or vapour may be emitted.
Moisture on air outlet.	If the unit operates at high humidity for a long time, moisture will be generated on the grill of the air outlet.
There is harsh sound during operation.	Immediately stop operation, disconnect the unit from the power supply and contact an authorised service centre.
Strong odours are emitted during operation.	Immediately stop operation, disconnect the unit from the power supply and contact an authorised service centre.

Water is leaking from the indoor unit.	Immediately stop operation, disconnect the unit from the power supply and contact an authorised service centre.
The air switch or protection switch often interrupts power supply.	Immediately stop operation, disconnect the unit from the power supply and contact an authorised service centre.
Water or other liquid is splashed into the unit.	Immediately stop operation, disconnect the unit from the power supply and contact an authorised service centre.
Mains cord and mains plug are overheated.	Immediately stop operation, disconnect the unit from the power supply and contact an authorised service centre.

<b>Error code</b>	<b>Solution</b>
C5: Malfunction of connector jumper.	Check if the connector jumper contacts properly. If necessary, replace the old circuit board with a new circuit board.
F1: Malfunction of indoor ambient temperature sensor.	Check if the indoor room temperature sensor is connected properly.
F2: Malfunction of evaporator temperature sensor.	Check if the evaporator temperature sensor is connected properly.
H1: Defrosting	It is normal. The unit is in defrosting mode and heating will recommence after 1-10min.
E3: Low pressure warning	Your air conditioner has lost refrigerant. Contact your installer to check for potential leaks.

## OPERATION TIPS

### Cooling operation

Air conditioners absorb heat from indoor and transmit the heat to the outdoor unit in order to decrease the room temperature. The cooling capacity will increase or decrease according to the outdoor temperature.

#### Anti-freezing function

If the unit is in COOL mode and in a low ambient temperature, frost will be formed on the heat exchanger of the indoor unit. If the temperature of the heat exchanger decreases below zero, the compressor will stop operation to protect the unit.

### Heating operation

Air conditioners absorb heat from outdoor and transmit the heat to the indoor unit in order to increase the room

temperature. The heating capacity will increase or decrease according to the outdoor temperature.

#### Defrosting

- If the outdoor temperature is low and the outdoor humidity is high, frost will form on the outdoor unit during extended operation. The heating capacity will decrease. The unit may stop operation during defrosting.
- During defrosting, the fan motors of the indoor unit and outdoor unit will stop operation.
- During defrosting, the indoor indicator flashes and the outdoor unit may emit vapour. This is normal operation to remove frost from the heat exchanger of the outdoor unit.
- After defrosting, the heating operation will resume automatically.

## Anti-cold air function

In HEAT mode, the indoor fan will not operate in order to prevent cold air from blowing out if the indoor heat exchanger does not reach a certain temperature in one of the following situations:

- when the heating operation starts;
- when the defrosting operation is finished;
- when heating at low temperature.

## Gentle breeze

The indoor unit may blow gentle breeze and the horizontal louvre rotates to a

certain position in one of the following situations:

- In HEAT mode, the compressor does not start operation after switching on the unit.
- In HEAT mode, the temperature reaches the set value and the compressor has stopped operation for 1 minute.

## Operating temperature range

The operating temperature range for cooling-only units is -15-(+48°C). The operating temperature range for heat-pump units is -20-(+24)°C.

	Indoor side (°C)	Outdoor side (°C)
Max. cooling	32	48
Min. cooling	21	-15
Max. heating	27	24
Min. heating	20	-20

## Tip for energy saving

- Do not overcool or overheat. Setting the temperature at a moderate level helps energy saving.
- Cover windows with a blind or a curtain. Blocking sunlight and air from outdoor is favorable for cooling.

- Clean air filters every two weeks. Clogged air filters lead to inefficient operation and energy waste.

## Tip for relative humidity

- If the unit is operated in an area with a relative humidity of more than 80% for a long time, condensate may drip from the indoor unit.

# INSTALLATION

## Installation notes

- Not following the instructions can cause personal injury and/or property damage.
- Not following the instructions can cause the unit to fail.
- Let the unit be installed by an authorised service centre.
- Let the unit be installed in compliance with local and governmental regulations.
- Let the unit be installed according to the instructions from this manual.
- First contact an authorised service centre before relocating an already installed unit
- Disconnect power before working on the unit.
- Let the mains cable be repaired by an authorised service centre or qualified technician for units with Y-attachment.
- The mains plug must remain accessible after installation.
- Keep sufficient distance between the interconnection cable and the

refrigerant circuit because the circuit operating temperature is high.

- The pipes connecting the indoor and outdoor unit are not included in the unit.
- The outdoor unit is powered by the indoor unit.

### Installation site

- Do not install the unit in areas with:
  - strong heat sources;
  - vapours or flammable gasses;
  - contamination with oil particles;
  - high frequency electromagnetic equipment (e.g. welding equipment or medical devices);
  - high salinity (e.g. close to coastal areas);
  - sulphuric gas (e.g. hot water springs);
  - poor air quality.

### Indoor unit

- Maintain the minimum installation distances specified in this document. Do not block the air inlet or the air outlet.
- Do not use the unit in places with extremely high humidity.
- Install the indoor unit out of reach of children.
- The wall must be strong enough to support the weight and vibration of the unit.
- Leave sufficient space for cleaning and maintenance.
- The air filter should remain accessible.
- Leave at least 1 m distance between the unit and other electrical appliances.
- Install the indoor unit in a place where the condensate water can be easily drained.
- Install at a location protected from direct sunlight.

### Outdoor unit

- Maintain the minimum installation distances specified in this document.
- Do not block the air inlet or the air outlet.
- Install the outdoor unit out of reach of children.
- Install the outdoor unit where there is sufficient ventilation.
- Install the outdoor unit where produced noise and airflow will not disturb neighbors or animals.
- Install the outdoor unit in a dry place.
- Install the outdoor unit in a place not exposed to direct sunlight or strong wind.
- Install the unit in a place that supports the weight and vibration of the unit.
- The height difference between the indoor unit and the outdoor unit must be less than 5 m.
- The length of the connecting pipes must be less than 10 m.
- Leave sufficient space for cleaning and maintenance.
- The outdoor unit is powered by the indoor unit.

### Safety precautions for electrical appliances

- Use a dedicated mains circuit.
- The unit must be properly grounded.
- Install a Residual-current device (RCD) to protect against personal injury in case of leakage currents.
- Use an all pole disconnection switch with a contact separation of at least 3 mm in all poles in fixed wiring. For models with a mains plug, make sure that the mains plug is within reach after installation.
- The installation must comply with local electrical safety regulations and with other relevant local regulations
- The unit must be installed in accordance with national wiring regulations.

- Do not subject the mains cable to force.
- The distance between the unit and heat sources is at least 1.5 m.
- Use an air switch. The air switch must have functions for magnetic tripping

and heat tripping to prevent short circuit and overload. The suitable capacity is specified in the following table.

Air conditioner (Btu)	Air switch capacity
09-12K	16A

**NOTE**

- Make sure that the live wire, the neutral wire and the ground wire in the mains socket are properly connected.
- Inadequate or incorrect electrical connections can cause electric shock or fire.

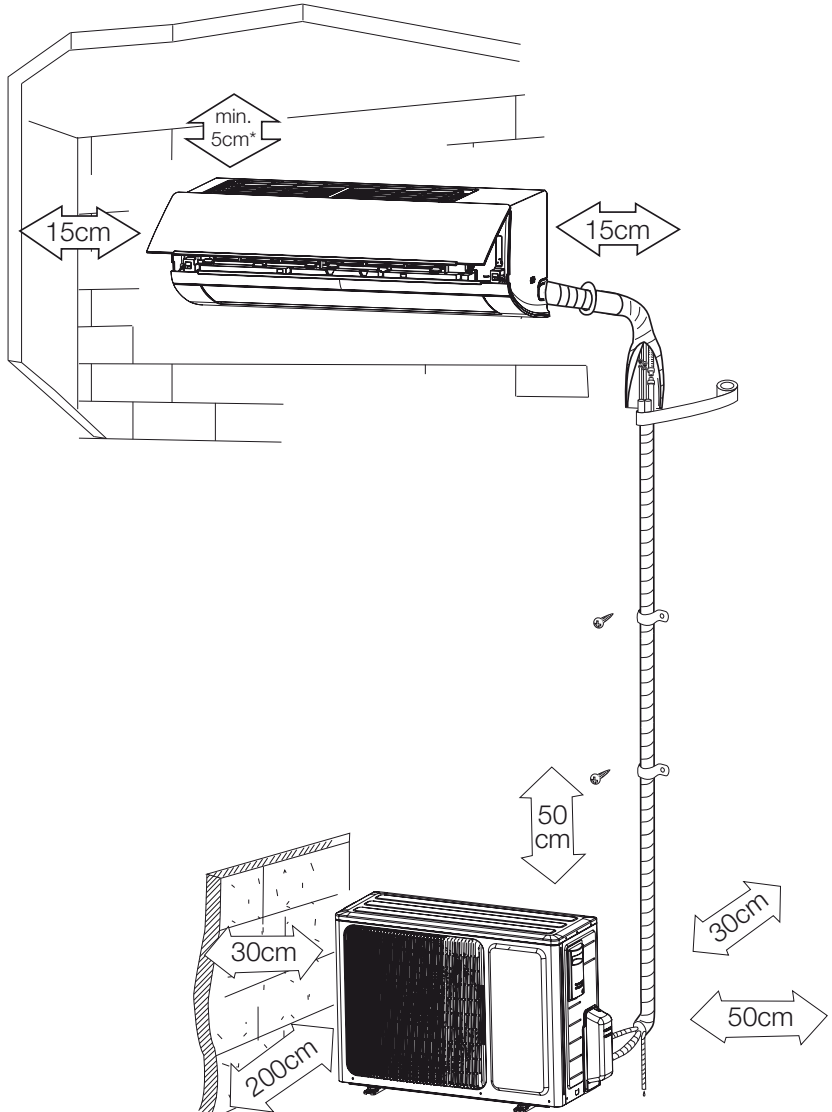
Grounding requirements

- The unit is a type I electrical appliance. Make sure that the unit is properly grounded.

- The yellow-green wire is the ground wire that cannot be used for other purposes. Improper grounding can cause electric shock.
- The ground resistance must comply with local regulations.
- The mains supply must have reliable ground terminal. Do not connect the ground wire to water pipes, gas pipes, contamination pipes or other possible unsafe places.
- Fuses must comply with the prescribed model and rating printed on the fuse cover or circuit board.

## Installation drawing

The dimensions required for proper installation of the unit include the minimum permissible distances to adjacent parts.



\* Recommended distance for maximum airflow is 15 cm.

**NOTE:** We suggest to install the indoor unit at height above of 230cm.

## Indoor unit

Installing the mounting plate

1. Install the mounting plate horizontally.
2. Fix the mounting plate to the wall with screws. Make sure that the mounting plate is fixed firmly enough to support approximately 60 kg. The weight must be evenly shared by each screw.

Drill piping hole

1. Slant the piping hole (Ø 55 mm) on the wall slightly downward to the outdoor side.
2. Insert the piping-hole sleeve into the hole to prevent damage to the connection piping and wiring.

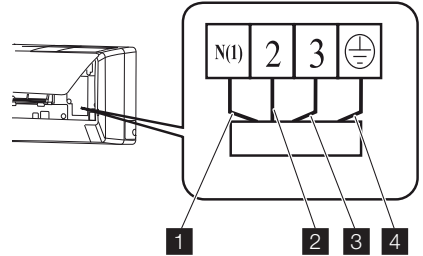
Installing the drain hose

1. Connect the drain hose to the outlet pipe of the indoor unit. Bind the joint with rubber belt.
2. Put the drain hose into the insulating tube.
3. Wrap the insulating tube with wide rubber belt to prevent the insulating tube from shifting. Slant the drain hose slightly downward for smooth drainage of the condensate water.

### NOTE

- The insulating tube must be connected reliably with the sleeve outside the outlet pipe. The drain must be slanted downward slightly without distortion, bulge or fluctuation. Do not put the outlet of the drain hose in water to prevent the drain hose from freezing.

Electrical wiring indoor unit:



Nr.	Colour
1	Blue (neutral)
2	Black
3	Brown
4	Yellow (ground)



### CAUTION

- Check the wiring to make sure that there is no short circuit. Incorrect wiring can cause malfunction.
  1. Open the front panel.
  2. Remove the wiring cover.
  3. Fix the mains cord to the terminal board (as shown).
  4. Guide the mains cord through the hole at the back of the indoor unit.
  5. Install the cord anchorage and wiring cover.
  6. Close the front panel.

### NOTE

- The electrical wiring between the indoor unit and the outdoor unit must be connected by a qualified electrician.
- Tighten the terminal screws tightly.
- After tightening the screws, pull the wire slightly to confirm whether it's firm or not.
- Make sure that the electrical connections are properly grounded to prevent electric shock.

- Make sure that the wiring connections are secure and that the cover plates are properly mounted to prevent electric shock.

### Installing the indoor unit

The piping can be output from the right, the right rear, the left or the left rear.

1. When routing the piping and wiring from the left or right of indoor unit, cut off the tailings from the chassis when necessary.
2. Remove the piping from the body case.
3. Wrap the piping, the mains cords and the drain hose with the tape.
4. Guide the piping, the mains cords and the drain hose through the piping hole.
5. Firmly hang the mounting slots of the indoor unit on the upper hooks of the mounting plate.
6. The installation site must be at least 230 cm above the floor surface.

### Installing the connection pipe

1. Align the center of the piping flare with the related valve.
2. Screw in the flare nut by hand and then tighten the nut with spanner and torque wrench. Refer to the following table.

Hex nut diameter (mm)	Tightening torque (Nm)
Ø 6	15-20
Ø 9.52	30-40
Ø 12	45-55
Ø 16	60-65
Ø 19	70-75

### NOTE

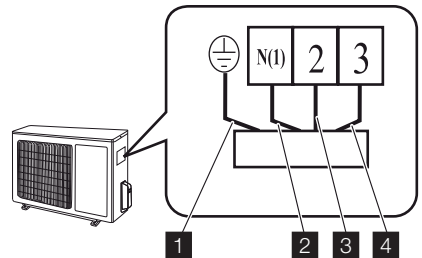
- First connect the connection pipe to the indoor unit and then to the

outdoor unit. Handle the piping bending with care. Do not damage the connection pipe. Firmly tighten the joint nut to prevent leakage.

- The pipes connecting the indoor and outdoor unit are not included in the unit.
- In case the connective pipe length is longer than 7.5m charge the unit with additional refrigerant. Add 20g/m of R410A for models with a capacity of less than 6500W. Add 50g/m for the other models.

## Outdoor unit

### Electrical wiring



Nr.	Colour
1	Yellow (ground)
2	Blue (neutral)
3	Black
4	Brown

### ⚠ CAUTION

- Check the wiring to make sure that there is no short circuit. Incorrect wiring can cause malfunction.
  1. Remove the handle (x2) on the right side plate of outdoor unit.
  2. Remove mains cord anchorage.
  3. Connect the mains cord to the terminal board.
  4. Lock the position of the cord with wire clamps.
  5. Check for improper connections.

6. Reinstall the handle.

**NOTE**

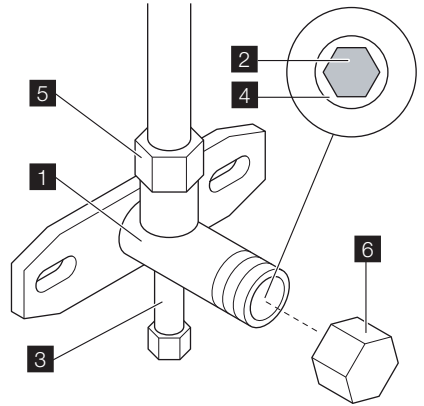
- Check for free space between the connection and the lock positions.

**CAUTION**

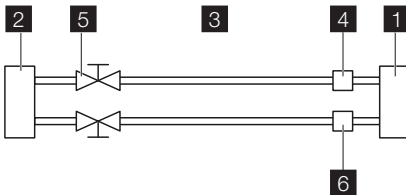
- Open the stem of the packed valve until it hits against the stopper. Do not try to open it further. Close the stem of the packed valve with a special tool. Close the cap of the packed valve with a spanner.

**NOTE**

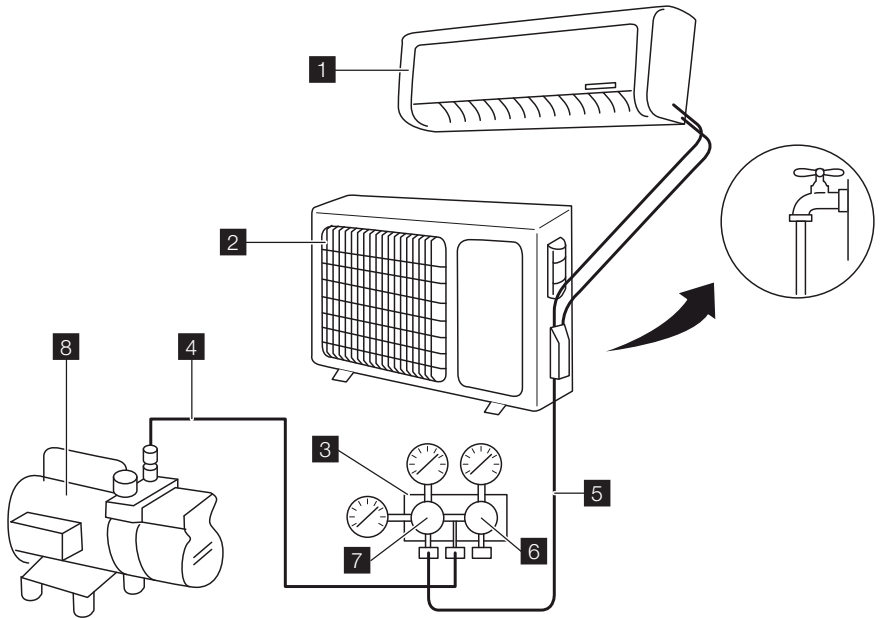
The outdoor unit has two outlets, the low side outlet and the high side outlet. Only the low side outlet contains a charging port. The low side outlet is shown below.



- 1 Valve body
- 2 Valve stem
- 3 Charge port
- 4 Stopper
- 5 Flare nut
- 6 Cap



- 1 Indoor unit
- 2 Outdoor unit
- 3 Refrigerant
- 4 Gas
- 5 Packed valve
- 6 Half union



- 1 Valve body
- 2 Valve stem
- 3 Charge port
- 4 Stopper
- 5 Flare nut
- 6 Cap

#### Using the vacuum pump

1. Fully tighten the flare nuts at connection point A, B, C and D.
2. Connect vacuum hose between charging port and the manifold.
3. Connect the other charge hose between manifold and the vacuum pump.
4. Fully open the handle Lo of the manifold valve.
5. Operate the vacuum pump to evacuate.
6. Slightly loosen the flare nut of the Lo valve on the gas pipe side.
7. Check if air is entering (noise of the vacuum pump changes and compound meter indicates 0 instead of minus).
8. Tighten the flare nut.
9. Make evacuation for 15 minutes or more and check that the compound meter indicates  $-7.6 \times 10^5 \mu\text{mHg}$  ( $-1 \times 10^5 \text{ Pa}$ ) ( $-0,7\text{Bar}$ ).
10. Fully close the handle Lo of the manifold valve and stop the operation of the vacuum pump.
11. Turn the stem of the packed valve B about  $45^\circ$  counterclockwise for 6~7 seconds after the gas comes out, then tighten the flare nut again.
12. Make sure the pressure display in the pressure indicator is a little higher than the atmosphere pressure. This to verify if the refrigerant does flow correctly through the tubes.
13. Remove the vacuum hose.
14. Replace the charging port cap.
15. Fully open the packed valve stems B and A.

16. Securely tighten the cap of the packed valves.

Outdoor condensate drainage (heat-pump unit only)

During heating operation, condensate water and defrosting water must be drained through the drain hose.

1. Install the outdoor drain connector in a Ø 25 mm hole on the base plate.
2. Attach the drain hose to the connector so that water in the outdoor unit can be drained. The hole diameter 25 must be plugged.

## Check after installation

Items to be checked	Possible malfunction
Has the unit been fixed firmly?	The unit may drop, shake or emit noise.
Have you done the refrigerant leakage test?	Insufficient cooling or heating.
Is the thermal insulation sufficient?	Condensation.
Is the water drainage satisfactory?	Water leakage.
Is the voltage in accordance with the rated voltage on the nameplate?	Electrical malfunction or damage to the unit.
Is the electrical wiring or piping connection installed correctly and securely?	Electrical malfunction or damage to the parts.
Has the unit been securely grounded?	Electrical leakage.
Is the mains cable as specified?	Electrical malfunction or damage to parts.
Is the air inlet or the air outlet blocked?	Insufficient cooling or heating.
Is the length of the connection pipes and the refrigerant capacity as specified?	Inaccurate refrigerant capacity.
Is the length of the connection pipes and the refrigerant capacity as specified?	Inaccurate refrigerant capacity.

## Operation test

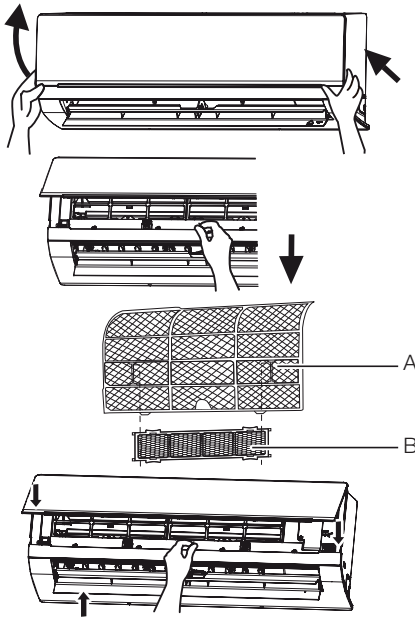
Before operation test

- Do not connect the unit to the power supply before the installation is completed.
- The electrical wiring must be connected correctly and securely.
- The cut-off valves of the connection pipes must be opened. Refer to the section "Vacuuming and leakage test".
- The unit must be cleaned thoroughly.

Operation test method

1. Connect the unit to the power supply.
2. Press the ON/OFF button to switch on the unit.
3. Press the MODE button to set the operation mode and check whether the operation is as expected.

# HEALTH FILTER



## Installation

1. Open the front panel.
2. Remove the air filter (A).
3. Attach the health filter (B) to the air filter (A).
4. Install the air filter (A).
5. Close the front panel.

## Cleaning and maintenance

1. Remove the health filter.
2. Remove dust from the health filter using a vacuum cleaner.
3. If the health filter is dirty, clean the health filter with warm water and a mild detergent. Allow the health filter to dry naturally in a cool, dark place.
4. Install the health filter.

## Service interval

The service interval for the health filter is approximately one year under normal condition. The health filter must be replaced when the surface becomes black (green).

## INDHOLD

Sikkerhedsforanstaltninger .....	27
forløb .....	28
Fjernbetjening .....	28
Vedligeholdelse og rengøring.....	34
Fejlsøgning.....	35
Tips til betjening .....	37
Installation.....	38
Sundhedsfilter .....	47

## VI TÆNKER PÅ DIG

Tak for dit køb af et Electrolux-apparat. Du har valgt et produkt, som giver dig årtiers professionel erfaring og innovation på én gang. Genialt og elegant. Det er designet med dig i tankerne. Så uanset hvornår du bruger det, kan du være sikker på, at du får fantastiske resultater hver gang.

Velkommen til Electrolux.

### Besøg vores websted for:



Få rådgivning, brochurer, fejlfinding, serviceinformation:  
[www.electrolux.dk](http://www.electrolux.dk)



Registrere dit produkt for bedre service:  
[www.electrolux.com/productregistration](http://www.electrolux.com/productregistration)



Købe tilbehør, forbrugsvarer og originale reservedele til dit apparat:  
[www.electrolux.com/shop](http://www.electrolux.com/shop)

## KUNDEPLEJE OG SERVICE

Vi anbefaler brugen af originale reservedele.

Sørg for at have følgende data tilgængelig, når du kontakter service.

Du finder oplysningerne på maskinens typeskilt. Model, PNC, Serienummer.



Advarsel /Forsigtig-Sikkerhedsanvisninger.



Generelle oplysninger og gode råd



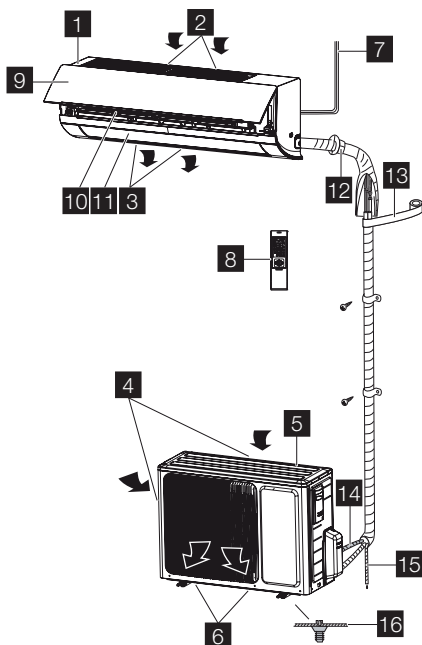
Miljøoplysninger

Ret til ændringer uden varsel forbeholdes.

# SIKKERHEDSFORANSTALTNINGER

- Læs vejledningen omhyggeligt inden drift.
- Gem vejledningen, så du nemt kan slå op i den.
- Apparatet er ikke beregnet til at bruges af personer (herunder børn) med nedsat fysisk, sensorisk eller psykisk funktionsevne, eller som mangler den nødvendige erfaring eller viden, med mindre den, der har ansvaret for deres sikkerhed, først har instrueret dem eller har kontrolleret, at de kan betjene det korrekt.
- Børn skal være under opsyn for at sikre, at de befinder sig på afstand af apparatet.
- Hvis der sker noget unormalt (f.eks. ubehagelige brændte lugte), skal du afbryde enheden fra strømforsyningen og kontakte et autoriseret servicecenter. Hvis anomaliteten forbliver, kan klimaanlægget blive beskadiget eller endda forårsage elektrisk stød eller brand.
- Inden rengøring eller vedligeholdelse skal du slukke for enheden og koble enheden fra strømforsyningen. Hvis enheden er sluttet til en sikringstavle, skal du fjerne tavlen.
- Undlad at beskadige netledningen eller signalkontrolledningen. Hvis netledningen eller signalkontrolledningen er beskadiget, skal den udskiftes af en kvalificeret elektriker.
- Brug ikke en uspecificeret netledning for at forhindre elektrisk stød eller brand.
- Enheden skal installeres i overensstemmelse med nationale bestemmelser for el-sikkerhed. Forkert el-installation kan føre til overophedning og brand i kablet, stikket eller stikkontakten. Undlad at tænde og slukke for enheden jævnligt.
- Hvis spændingen er for høj, beskadiges elektriske elementer nemt. Hvis spændingen er for lav, ryster kompressoren kraftigt og beskadiger kølesystemet eller kompressoren. Elektriske komponenter kan ikke betjenes.
- Sørg for, at enheden er korrekt jordet for at forhindre elektrisk stød.
- Forsøg ikke selv at reparere enheden for at forhindre elektrisk stød eller brand. Få enheden repareret af et autoriseret servicecenter.
- Hold brændbare materialer mindst 1 meter fra enheden for at forhindre brand eller eksplosion.
- Installér udeenheden korrekt for at forhindre personskade.
- Undlad at stå på udeenheden. Undlad at anbringe tung ting på udeenheden.
- Undlad at blokere luftindgangen eller luftudgangen.
- Undlad at sprøjte vand på enheden for at forhindre elektrisk stød.
- Undlad at betjene enheden med våde hænder for at forhindre elektrisk stød.
- Undlad at stikke dine hænder eller genstande ind i luftindgangen eller luftudgangen.
- Undlad at udsætte dyr og planter direkte for luftstrømmen.
- Undlad at udsætte dig selv direkte for kølrig luft i længere tid.
- Undlad at bruge enheden til andre formål, som f.eks. konservering af fødevarer eller tørring af tøj.
- Vælg den mest egnede temperatur for at spare el-energi.
- Undlad at holde vinduer og døre åbne i længere tid under drift.
- For at ændre luftstrømmens retning skal du bruge fjernbetjeningen til at justere den vandrette og lodrette retning af luftstrømmen.
- Bortskaf ikke dette produkt som usorteret kommunalaffald. Det er nødvendigt at indsamle dette affald separat til specialbehandling.

## BESKRIVELSE



- 1 Indeenhed
- 2 Luftindgang (indeenhed)
- 3 Luftudgang (indeenhed)
- 4 Udeenhed
- 5 Luftindgang (udeenhed)
- 6 Luftudgang (udeenhed)
- 7 Netledning
- 8 Fjernbetjening
- 9 Frontpanel
- 10 Filter
- 11 Vandret lamel
- 12 Vægrør
- 13 Tape
- 14 Tilslutningsrør
- 15 Afløbsslange
- 16 Afløbstilslutning

## FJERNBETJENING

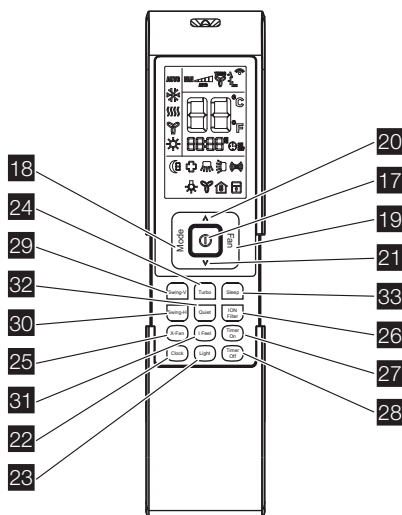
Fjernbetjeningen kan bruges til forskellige modeller. Afhængigt af modellen er visse funktioner på fjernbetjeningen muligvis ikke tilgængelige.

**FORSIGTIG**

- Undlad at tabe eller kaste fjernbetjeningen.
- Undlad at hælde væske på fjernbetjeningen.
- Undlad at udsætte fjernbetjeningen for direkte sollys.
- Undlad at anbringe fjernbetjeningen på områder, hvor det er meget varmt.

**BEMÆRK**

- Sørg for, at der ikke er genstande mellem signalsenderen på fjernbetjeningen og enhedens signalmottager.



## Forklaring på knapper

Nr. Knap	Forklaring
17 TÆND/SLUK	Slå displayet til ved at trykke på en vilkårlig knap. Tryk på knappen igen for at slukke for enheden.
18 MODE (TILSTAND)	Tryk på knappen for at indstille driftstilstanden: AUTO, COOL (Afkøling), DRY (Tørring), FAN (Blæser) og HEAT (Varme). Standardindstilling: AUTO.  I tilstanden AUTO vises temperaturen ikke. I tilstanden HEAT (Varme) er startværdien 28 °C (82 °F). I andre tilstande er startværdien 25 °C (77 °F).
19 FAN (BLÆSER)	Tryk på -knapen for at vælge blæserhastighed AUTO, LOW (Lav), MEDIUM LOW (Middellav), MEDIUM (Middel), MEDIUM HIGH (Middelhøj) og HIGH (Høj). Standardindstilling: AUTO. I tilstanden DRY (Tørring) kan kun LOW (Lav) indstilles.
20 UP (OP) ^	Tryk på knappen for at øge temperaturen. Hold knappen trykket ind i to sekunder for at øge processens hastighed. Slip knappen for at indstille temperaturen og sende ordre om, at °C/°F-signalet vil blive vist konstant.  Temperaturområde: 16-30 °C (61-86 °F).  I tilstanden AUTO kan temperaturen ikke indstilles. Hvis du trykker på knappen UP (Op) eller DOWN (Ned), udsendes der et bip.
21 DOWN (NED) V	Tryk på knappen for at sænke temperaturen. Hold knappen trykket ind i to sekunder for at øge processens hastighed. Slip knappen for at indstille temperaturen og sende ordre om, at °C/°F-signalet vil blive vist konstant.  Temperaturområde: 16-30 °C (61-86 °F).  I tilstanden AUTO kan temperaturen ikke indstilles, men der kan afsendes ordre ved at trykke på knappen.
22 CLOCK (UR)	Tryk på knappen for at indstille timeren. Hvis ursymbolet blinker, skal du trykke på knappen UP (Op) eller DOWN (Ned) for at indstille tiden. Hold knappen trykket ind i to sekunder for at øge processens hastighed. Tryk igen på knappen CLOCK (Ur) for at indstille uret. Ursymbolet holder op med at blinke.  Efter udskiftning af batteriet vises "12:00 PM". Hvis ursymbolet er synligt, vil den reelle tid blive vist. Hvis ursymbolet ikke er synligt, vil timeren blive vist.
23 LIGHT (LYS)	Tryk på knappen for at slå indeenhedens display til eller fra. Standardindstilling: OFF (Fra).
24 TURBO	I tilstanden COOL (Afkøling) eller HEAT (Varme) skal du trykke på knappen for at aktivere eller deaktivere turbofunktionen. Hvis turbofunktionen er aktiveret, vil turbosymbolet blive vist. Standardindstilling: OFF (Fra).

		Hvis turbofunktionen er aktiveret, vil enheden fungere ved turbohastighed for at afkøle eller opvarme hurtigt, så den omgivende temperatur nærmer sig den indstillede temperatur hurtigst muligt.
		Hvis betjeningstilstanden eller blæserhastigheden ændres, vil turbosymbolet ikke blive vist.
25	X-FAN (X-BLÆSER)	I tilstanden COOL (Afkøling) eller DRY (Tørring) skal du trykke på knappen for at aktivere eller deaktivere funktionen X-FAN (X-blæser). Hvis funktionen X-FAN (X-blæser) er aktiveret, vil symbolet for X-FAN (X-blæser) blive vist. Standardindstilling: OFF (Fra).
		Hvis funktionen X-FAN (X-blæser) er aktiveret, vil indeblæseren fortsætte driften ved lav hastighed i 2 minutter, efter enheden er blevet slukket. Denne funktion forhindrer en eventuel kondensering på indeenhedens kølige dele. Tryk på knappen X-FAN (X-blæser) for at slukke for enheden under processen.
		Hvis funktionen X-FAN (X-blæser) er deaktiveret, vil enheden blive slukket med det samme.
		I tilstanden AUTO, FAN (Blæser) eller HEAT (Varme) er X-FAN (X-blæser) ikke tilgængelig.
26	ION-FILTER	Tryk på knappen for at aktivere eller deaktivere driften af sundhedsfilteret.
27	TIMER ON (TIMER TIL)	Tryk på knappen for at indstille timerfunktionen for at slå enheden til. Hvis symbolet for TIMER ON (Timer til) blinker, skal du trykke på knappen UP (Op) eller DOWN (Ned) for at indstille tiden. Hold knappen trykket ind i to sekunder for at øge processens hastighed. Tryk på knappen for at indstille timeren. Standardindstilling: 5:00 AM (12-timers tilstand). Tryk igen på knappen for at annullere timerfunktionen.
28	TIMER OFF (TIMER FRA)	Tryk på knappen for at indstille timerfunktionen for at slå enheden fra. Hvis symbolet for TIMER OFF (Timer fra) blinker, skal du trykke på knappen UP (Op) eller DOWN (Ned) for at indstille tiden. Hold knappen trykket ind i to sekunder for at øge processens hastighed. Tryk på knappen for at indstille timeren. Standardindstilling: 5:00 AM (12-timers tilstand). Tryk igen på knappen for at annullere timerfunktionen.
29	SWING-V (SVING-V)	Tryk på knappen for at aktivere eller deaktivere den lodrette svingfunktion.
30	SWING-H (SVING-H)	Tryk på knappen for at aktivere eller deaktivere den vandrette svingfunktion.
31	I FEEL (JEG FØLER)	Tryk på knappen for at aktivere eller deaktivere funktionen I FEEL (Jeg føler). Hvis funktionen I FEEL (Jeg føler) er aktiveret, vil I symbolet for I FEEL (Jeg føler) blive vist.
		Hvis symbolet for I FEEL (Jeg føler) er aktiveret, vil fjernbetjeningen sende den omgivende temperatur til hovedenheden hver gang, der er gået 10 minutter, eller når du trykker på en af knapperne.

32	QUIET (STILLE)	Tryk på knappen for at aktivere eller deaktivere funktionen QUIET (Stille). Hvis funktionen QUIET (Stille) er aktiveret, betjenes indeblæseren ved en ekstremt lav hastighed, så indestøjen er lav.
33	SLEEP (DVALE)	Tryk på knappen for at vælge (SLEEP 1 (Dvale 1), SLEEP 2 (Dvale 2), SLEEP 3 (Dvale 3) eller SLEEP CANCEL (Annullér dvale)). Standardindstilling: SLEEP CANCEL (Annullér dvale).
	SLEEP 1	I tilstanden COOL (Afkøling) og DRY (Tørring):
		Dvalestatus efter 1 times drift: Temperaturen stiger med 1 °C.
		Dvalestatus efter 2 timers drift: Temperaturen stiger med 2 °C.
		Efter denne tid fortsætter enheden med at bruge den nye temperatur.
		I tilstanden HEAT (Varme):
		Dvalestatus efter 1 times drift: Temperaturen falder med 1 °C.
		Dvalestatus efter 2 timers drift: Temperaturen falder med 2 °C.
		Efter denne tid fortsætter enheden med at bruge den nye temperatur.
	SLEEP 2	I tilstanden COOL (Afkøling):
		Hvis du indstiller en temperatur på 16-23 °C, øges temperaturen med 1 °C hver time. Efter 3 °C opretholdes temperaturen. Efter 7 timer sænkes temperaturen med 1 °C. Efter denne tid fortsætter enheden med at bruge den nye temperatur.
		Hvis du indstiller en temperatur på 24-27 °C, øges temperaturen med 1 °C hver time. Efter 2 °C opretholdes temperaturen. Efter 7 timer sænkes temperaturen med 1 °C. Efter denne tid fortsætter enheden med at bruge den nye temperatur.
		Hvis du indstiller en temperatur på 28-29 °C, øges temperaturen med 1 °C hver time. Efter 1 °C opretholdes temperaturen. Efter 7 timer sænkes temperaturen med 1 °C. Efter denne tid fortsætter enheden med at bruge den nye temperatur.
		Hvis du indstiller en temperatur på 30 °C, falder temperaturen med 1 °C hver 7. time. Efter denne tid fortsætter enheden med at bruge den nye temperatur.
		I tilstanden HEAT (Varme):
		Hvis du indstiller en temperatur på 16 °C, betjenes enheden ved denne temperatur.
		Hvis du indstiller en temperatur på 17-20 °C, sænkes temperaturen med 1 °C hver time. Efter 1 °C opretholdes temperaturen.
		Hvis du indstiller en temperatur på 21-27 °C, sænkes temperaturen med 1 °C hver time. Efter 2 °C opretholdes temperaturen.
		Hvis du indstiller en temperatur på 28-30 °C, sænkes temperaturen med 1 °C hver time. Efter 3 °C opretholdes temperaturen.

SLEEP 3	Den brugerdefinerede opførselstilstand. Tiden på fjernbetjeningen vil vise "1hour" (1time). Temperaturen, der skal bruges efter 1 time, vil blinke.
	Tryk på knapperne UP (Op) og DOWN (Ned) for at indstille den ønskede temperatur. Tryk igen på knappen TURBO for at bekræfte.
	Værdien "1hour" (1time) øges til værdien "2timer", "3timer" eller "8timer". Ved hvert trin blinker den tilsvarende temperatur.
	Gentag den ovenstående (2-3) betjening for trinnene "2hours" (2timer), "3hours" (3timer) og "8hours" (8timer).
	Sleep3 (Dvale3): Vis de indstillede temperaturer: Vælg SLEEP 3 uden at ændre temperatur. Tryk på knappen TURBO for at bekræfte.
	Bemærk! Den ovenstående indstillings- eller forespørgselsprocedure afsluttes, hvis der ikke trykkes på en knap inden for 10 sekunder. Knappen ON/OFF (Tænd/sluk), knappen MODE (Tilstand) og knappen SLEEP (Dvale) afslutter også indstillings- eller forespørgselsproceduren.

## Generelle drift

1. Afbryd enheden fra strømforsyningen.
2. Tryk på knappen ON/OFF (Tænd/sluk) for at starte enheden.
3. Tryk på MODE-knappen for at vælge driftsmåde
4. Tryk på knapperne UP (Op) og DOWN (Ned) for at indstille den ønskede temperatur. (Bemærk: Det er ikke nødvendigt at indstille temperaturen i tilstanden AUTO.)
5. Tryk på knappen FAN (Blæser) for at indstille blæserhastigheden.
6. Tryk på knapperne SWING-H (Sving-h) og SWING-V (Sving-v) for at indstillet svinget.

## Valfri drift

1. Tryk på knappen SLEEP (Dvale) for at aktivere eller deaktivere dvaletilstanden.
2. Tryk på knapperne TIMER ON (Timer til) og TIMER OFF (Timer fra) for at aktivere eller deaktivere timerfunktionen.
3. Tryk på knappen LIGHT (Lys) for at tænde eller slukke for indeenhedens display.

4. Tryk på knappen TURBO for at aktivere eller deaktivere turbofunktionen.

## Specialfunktioner

### Tilstanden AUTO

Temperaturen vil ikke blive vist. Enheden indstiller automatisk driftstilstanden.

Låsning/oplåsning af fjernbetjeningen

Tryk samtidig på knappen SWING-V (Sving-v) og knappen ION-FILTER for at låse eller låse op for fjernbetjeningen. Hvis fjernbetjeningen er låst, vil symbolet LOCK (Låst) blive vist. Tryk på en vilkårlig knap for at få symbolet LOCK (Låst) til at blinke 3 gange og for at låse op for fjernbetjeningen. Hvis fjernbetjeningen er låst op, vil symbolet LOCK (Låst) ikke blive vist.

Celsius (°C) ~ Fahrenheit (°F)

Hvis enheden er slukket, skal du trykke samtidig på knappen SWING-H (Sving-h) og knappen IONFILTER for at skifte mellem Celsius (°C) og Fahrenheit (°F).

### Energisparefunktion

I tilstanden COOL (Afkøling) skal du trykke samtidig på knappen ION-FILTER og knappen CLOCK (Ur) for at slå energisparefunktionen til eller fra. Displayet viser "SE".

## 8 °C varmfunktion

I tilstanden HEAT (Varme) skal du trykke samtidig på knappen ION-FILTER og knappen CLOCK (Ur) for at slå 8 °C-varmfunktionen til eller fra. Displayet viser "8 °C" ("46 °F"). Enheden begynder at varme op, når temperaturen falder til under 8 °C. Blæserhastigheden vil være AUTO og kan ikke ændres.

## Udskiftning af batterier

Fjernbetjeningen bruger to 1,5V AAA-batterier.

1. Åbn batterirummet.
2. Fjern de gamle batterier.
3. Sæt batterierne i Sørg for, at de positive (+) og negative (-) mærker på batterierne svarer til de positive (+) og negative (-) mærker i batterirummet.
4. Luk batteridækslet.



### FORSIGTIG

- Brug altid nye batterier af den samme type. Undlad at bruge gamle batterier eller forskellige batterityper.
- Tag batterierne ud, når fjernbetjeningen ikke skal bruges i længere tid.

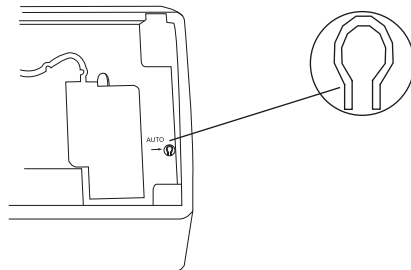
### BEMÆRK

- Brug fjernbetjeningen inden for dens sende- og modtageområde.
- Brug fjernbetjeningen på en afstand af mindst 1 meter fra dit tv-sæt eller stereolydsæt.

- Ret fjernbetjeningen mod hovedenhedens modtager for at forbedre hovedenhedens hovedfølsomhed.
- Hvis fjernbetjeningen sender et signal, vil sendesymbolet blinke i 1 sekund. Klokkeren ringer, hvis hovedenheden modtager signalet.
- Hvis fjernbetjeningen ikke fungerer normalt, skal du tage batterierne ud og sætte dem i igen efter 30 sekunder. Udskift batterierne, hvis fjernbetjeningen stadigvæk ikke fungerer normalt.

## Nøddrift

Brug AUTO/STOP-knappen på hovedenheden, hvis fjernbetjeningen ikke kan anvendes. Enheden vil fungere i AUTO-tilstand. Temperaturen eller blæserhastigheden kan ikke ændres.



1. Tryk på knappen AUTO/STOP for at tænde for enheden. Enheden indstiller automatisk driftstilstanden.
2. Tryk igen på knappen AUTO/STOP for at slukke for enheden.

Mode (Tilstand)	Model	Temperaturindstilling	Blæserhastighed
AUTO	Afkøler kun	25 °C (COOL, FAN) (Afkøling, Blæser)	AUTO
AUTO	Varmepumpe	25 °C (COOL, FAN) (Afkøling, Blæser)	AUTO
AUTO	Varmepumpe	20 °C (HEAT) (Varme)	AUTO

# RENGØRING OG VEDLIGEHOLDELSE



## ADVARSEL!

- Kobl enheden fra strømforsyningen inden rengøring og vedligeholdelse.
- Sænk ikke enheden ned i vand eller andre væsker. Hvis enheden sænkes ned i vand eller andre væsker, må du ikke fjerne enheden med hænderne. Afbryd øjeblikkeligt enheden fra strømforsyningen. Hvis enheden sænkes ned i vand eller andre væsker, må du ikke bruge enheden igen.
- Undlad at sprøjte vand på enheden for at forhindre elektrisk stød.



## FORSIGTIG

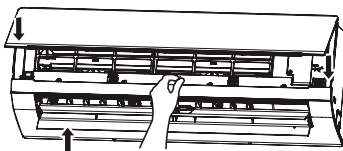
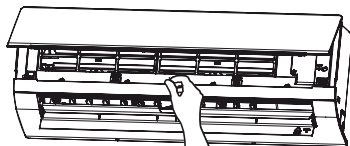
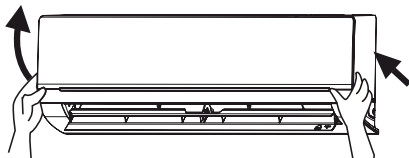
- Undlad at bruge aggressive væsker (f.eks. fortynder eller benzin) til at rengøre enheden. Rengør enheden ved hjælp af en blød, tør klud eller en klud, der er let fugtet med vand eller rengøringsmiddel.

## Fjern frontpanelet

1. Fjern frontpanelet.
2. Rengør frontpanelet ved hjælp af en klud, der er let fugtet med vand.
3. Fjern frontpanelet.

## Rengøring af luftfilter

Luftfilteret skal rengøres hver 3. måned.



## ADVARSEL!

- Undlad at berøre indeenhedens finne for at forhindre personskader.



## FORSIGTIG

- Undlad at bruge vand over 45 °C til at rengøre luftfilteret for at forhindre deformation eller affarvning.
1. Fjern frontpanelet.
  2. Fjern luftfilteret
  3. Fjern støv fra luftfilteret med en støvsuger.
  4. Hvis luftfilteret er beskidt, skal du rengøre luftfilteret med varmt vand og et mildt rengøringsmiddel. Lad luftfilteret tørre naturligt et køligt, mørkt sted.
  5. Sæt luftfiltrene i igen
  6. Fjern frontpanelet.

## Kontrollere før brug

- Se efter, at der ikke sidder noget og blokerer luftindgangen eller luftudgangen.
- Se efter, at udeenhedens installationsstativ ikke er beskadiget. Hvis installationsstativet er beskadiget, bedes du kontakte en kvalificeret tekniker.
- Se efter, om batterierne er sat i fjernbetjeningen.

## Vedligeholdelse efter brug

- Afbryd enheden fra strømforsyningen.
- Rengør filtrene og husene til indeenheden og udeenheden.
- Fjern evt. forhindringer fra udeenheden.

## FEJLFINDING

**FORSIGTIG**

- Enheden kan ikke repareres af brugeren. Forsøg ikke selv at reparere enheden for at forhindre elektrisk stød

eller brand. Få enheden repareret af et autoriseret servicecenter. De følgende kontroller kan spare dig tid og penge, inden du kontakter et autoriseret servicecenter.

Fejl	Løsning
Enheden virker ikke.	Enheden virker ikke, hvis den tændes med det samme, efter enheden er blevet slukket. Efter at have slukket for enheden skal du vente i ca. 3 minutter, inden du tænder for enheden.
Der afgives lugte.	Der kan afgives visse lugte fra indeenheden som et resultat er rummets lugte (møbler, tobak, osv.), som er kommet ind i enheden. Hvis lugtene fortsætter, bedes du kontakte et autoriseret servicecenter.
Lyd af vandstrøm.	Lyden af vandstrøm er kølevæsken, der strømmer rundt inden i enheden.
Der udsendes dis i tilstanden COOL (Afkøling).	Under afkølingen kan der udsendes dis fra indeenheden på grund af høj rumtemperatur og fugt. Disen forsvinder, hvis rumtemperaturen og fugten mindskes.
Små knald.	De små knald er lyden af gnidning, der forårsages af udvidelse og/eller sammentrækning af frontpanelet eller andre dele på grund af ændringen i temperaturen.
Enheden kan ikke startes.	Er enheden koblet fra strømforsyningen? Er netstikket løst? Er kredsløbsværnet blevet udløst? Er spændingen højere eller lavere? (testet af professionelle) Bruges timerfunktionen korrekt?
Afkølings-/varmefunktionen er dårlig.	Er temperaturen indstillet korrekt? Er luftindgangen eller luftudgangen blokeret? Er luftfilteret beskidt? Er vinduet eller døren åben? Er den lave ventilatorhastighed indstillet? Er der varmekilder i rummet?
Fjernbetjeningen virker ikke.	Er der magnetisk eller elektrisk interferens nær enheden? Hvis ja, skal du tage batterierne ud og sætte dem i igen.

	Er fjernbetjeningen inden for dens sende- og modtageområde uden forhindringer? Udskift batterierne, hvis det er nødvendigt.
	Er fjernbetjeningen beskadiget?
Lækage af vand i indeenheden.	Rummets fugtighed er høj.
	Overløb af kondensvand.
	Afløbsslangen er løs.
Lækage af vand i udeenheden.	I tilstanden COOL (Afkøling) dannes der kondensvand omkring rørene og forbindelsesleddene.
	I tilstanden HEAT (Varme) drypper vandet på varmeveksleren ud.
	I optøningstilstand flyder det optøede vand ud.
Støj fra indeenheden.	Den udsendte støj, når blæseren eller kompressorrelæet tændes eller slukkes.
	Hvis optøningstilstanden startes eller standses, vil du høre lyden af kølemiddel, der flyder i den modsatte retning.
Indeenheden kan ikke blæse luft.	I tilstanden HEAT (Varme), når indevarmeveksleren har en lav temperatur, standses luftstrømmen inden for 2 minutter for at forhindre kølig luft.
	I tilstanden HEAT (Varme), når udetemperaturen er lav, eller udefugtigheden er høj, dannes der rim på udevarmeveksleren. Enheden afrimes automatisk, og indeenheden holder op med at blæse luft i 3-12 minutter.
	I tilstanden DRY (Tørring) holder indeblæseren op med at blæse luft i 3-12 minutter for at undgå, at kondensvand fordampes igen.
	I optøningstilstanden kan der udsendes vand eller damp.
Fugt på luftudgangen.	Hvis enheden er tændt ved høj fugtighed i længere tid, dannes der fugt på luftudgangens rist.
C5: Funktionsfejl af forbindelseskrydstråd.	Kontrollér, om forbindelseskrydstråden har korrekt forbindelse. Udskift om nødvendigt den gamle printplade med en ny printplade.
F1: Funktionsfejl af indesensor for omgivende temperatur.	Kontrollér, om indesensoren for omgivende temperatur er korrekt tilsluttet.
F2: Funktionsfejl af fordampertempersensor.	Kontrollér, om fordampertempersensoren er korrekt tilsluttet.

Der er en skarp lyd under drift.	Stands øjeblikkeligt driften, afbryd enheden fra strømforsyningen, og kontakt et autoriseret servicecenter.
Der udsendes stærke lugte under drift.	Stands øjeblikkeligt driften, afbryd enheden fra strømforsyningen, og kontakt et autoriseret servicecenter.
Der siver vand ud af indeenheden.	Stands øjeblikkeligt driften, afbryd enheden fra strømforsyningen, og kontakt et autoriseret servicecenter.
Luftkontakten eller beskyttelseskontakten afbryder ofte strømforsyningen.	Stands øjeblikkeligt driften, afbryd enheden fra strømforsyningen, og kontakt et autoriseret servicecenter.
Der er sprøjtet vand eller anden væske ind i enheden.	Stands øjeblikkeligt driften, afbryd enheden fra strømforsyningen, og kontakt et autoriseret servicecenter.
Netledning og netstik er overophedet.	Stands øjeblikkeligt driften, afbryd enheden fra strømforsyningen, og kontakt et autoriseret servicecenter.

## TIPS TIL BETJENING

### Køledrift

Klimaanlæg absorberer varme indefra og sender varmen til udeenheden for at sænke rumtemperaturen. Afkølingsevnen øges eller mindskes alt efter udetemperaturen.

#### Antifrost-funktion

Hvis enheden befinder sig i tilstanden COOL (Afkøling) og i en lav omgivende temperatur, dannes der rim på indeenhedens varmeveksler. Hvis varmevekslerens temperatur falder til under nul, standser kompressoren driften for at beskytte enheden.

### Varmedrift

Klimaanlæg absorberer varme udefra og sender varmen til indeenheden for at øge rumtemperaturen.

Opvarmningsevnen øges eller mindskes alt efter udetemperaturen.

#### Afrimning

- Hvis udetemperaturen er lav, og udefugtigheden er høj, dannes der rim på udeenheden under langvarig drift. Opvarmningsevnen mindskes. Enheden kan standse driften under optøning.
- Under optøning standser indeenhedens og udeenhedens blæsemotorer driften.
- Under optøning blinker indeenheden, og udeenheden udsender muligvis damp. Dette er normal drift for at fjerne rim fra udeenhedens varmeveksler.
- Efter optøning genoptages opvarmningen automatisk.

## Funktion er at forhindre kølig luft

I tilstanden HEAT (Varme) vil indeblæseren ikke fungere for at forhindre kølig luft i at blæse ud, hvis indevarmeveksleren ikke når en bestemt temperatur i en af de følgende situationer:

- når varmedriften starter
- når optøningen er færdig
- ved opvarmning ved lav temperatur.

## Svag brise

Indeenheden blæser muligvis en svag brise, og den vandrette lamel drejer til

en bestemt position i en af de følgende situationer:

- I tilstanden HEAT (Varme) starter kompressoren ikke driften efter at have tændt for enheden.
- I tilstanden HEAT (Varme) når temperaturen den indstillede værdi, og kompressoren har standset driften i 1 minut.

## Temperaturinterval for drift

Driftstemperaturområdet for enheden med kun afkøling er -15-(+48)°C. Driftstemperaturområdet for varmepumpeenheder er -20-(+24)°C.

	Inderside (°C)	Yderside (°C)
Maks. afkøling	32	48
Min. afkøling	21	-15
Maks. opvarmning	27	24
Min. opvarmning	20	-20

## Energibesparende programmer

- Undlad at overafkøle eller overopvarme. Hvis temperaturen stilles på et moderat niveau, hjælper det med at spare energi.
- Dæk vinduer til med en persienne eller et gardin. Det hjælper med afkølingen, hvis man blokerer sollys og luft udefra.

- Rengør luftfiltre hver anden uge. Tilstoppede luftfiltre fører til utilstrækkelig drift og energispild.

## Tip for relativ fugtighed

- Hvis enheden betjenes i et område med en relativ fugtighed på over 80% i længere tid, kan der dryppe kondens fra indeenheden.

# INSTALLATION

## Noter til installation

- Hvis anvisningerne ikke følges, kan det resultere i personskaade og/eller materiel skade.
- Hvis anvisningerne ikke følges, kan det få enheden til at svinge.
- Få enheden installeret af et autoriseret servicecenter.
- Få enheden installeret i overensstemmelse med lokale og nationale bestemmelser.
- Få enheden installeret ifølge anvisningerne i denne vejledning.
- Kontakt først et autoriseret servicecenter, inden du omplacerer en allerede installeret enhed
- Slå strømmen fra, inden du arbejder på enheden.
- Få netledningen repareret af et autoriseret servicecenter eller en kvalificeret tekniker, når det drejer sig om enheder med Y-fastgørelse.
- Netstikket skal forblive tilgængeligt efter installation.
- Hold tilstrækkelig afstand mellem sammenkoblingskablet og

kølemiddelkredsløbet, da kredsløbets driftstemperatur er høj.

- Rørene, der tilslutter inde- og udeenheden, følger ikke med i enheden.
- Udeenheden drives af indeenheden.

## Installationsstedet

- Undlad at installere enheden på områder med:
  - stærke varmekilder;
  - dampe eller brandfarlige gasser;
  - forurening med oliepartikler;
  - elektromagnetisk udstyr med høj frekvens (f.eks. svejseudstyr eller medicinske anordninger);
  - høj saltholdighed (f.eks. tæt på kystområder);
  - svovlgas (f.eks. varmtvandskilder);
  - dårlig luftkvalitet.

## Indeenhed

- Hold de minimale installationsafstande, der er angivet i dette dokument. Undlad at blokere luftindgangen eller luftudgangen.
- Undlad at bruge enheden på steder med ekstrem høj fugt.
- Installér indeenheden væk fra børns rækkevidde.
- Væggen skal være stærk nok til at understøtte vægten og enhedens rystelser.
- Installér indeenheden mindst 230 cm over gulvets overflade.
- Lad der være tilstrækkelig plads til rengøring og vedligeholdelse.
- Luftfilteret skal forblive tilgængeligt.
- Lad der være en afstand på mindst 1 meter mellem enheden og andre elektriske apparater.
- Installér indeenheden på et sted, hvor det er nemt at tømme kondensvand.
- Installér den på et sted, hvor den er beskyttet mod direkte sollys.

## Udeenhed

- Hold de minimale installationsafstande, der er angivet i dette dokument.
- Undlad at blokere luftindgangen eller luftudgangen.
- Installér udeenheden væk fra børns rækkevidde.
- Installér udeenheden på et sted, hvor der er tilstrækkelig udluftning.
- Installér udeenheden på et sted, hvor genereret støj og luftstrømning ikke forstyrrer naboer eller dyr.
- Installér udeenheden på et tørt sted.
- Installér udeenheden på et sted, der ikke er udsat for direkte sollys og stærk vind.
- Installér enheden på et sted, der understøtter vægten og enhedens rystelser.
- Højdeforskellen mellem inde- og udeenheden skal være mindre end
- Længden af forbindelsesrørene skal være mindre end 10 meter.
- Lad der være tilstrækkelig plads til rengøring og vedligeholdelse.
- Udeenheden drives af indeenheden.

## Sikkerhedsforanstaltninger for elektriske apparater

- Brug et dertil beregnet netkredsløb.
- Enheden skal have korrekt jordforbindelse.
- Installér en fejlstrømsafbryder (RCD) for at beskytte mod personskade i tilfælde af vagabonderende strømme.
- Brug en allepolet afbryder med en kontaktadskillelse på mindst 3 mm i alle poler i fast ledningsføring. For modeller med et netstik skal man sørge for, at netstikket er inden for rækkevidde efter installation.
- Installationen skal overholde lokale elektriske sikkerhedsbestemmelser og andre relevante lokale bestemmelser
- Enheden skal installeres i overensstemmelse med nationale bestemmelser om ledningsføring.

- Netledningen må ikke udsættes for kraftpåvirkning.
- Afstanden mellem enheden og varmekilderne er mindst 1,5 m.
- Brug en luftkontakt. Luftkontakten skal have funktioner for magnetisk

udløsning og varmeudløsning for at forhindre kortslutning og overspænding. Den egnede kapacitet er angivet i den følgende tabel.

Klimaanlæg (Btu)	Luftkontaktkapacitet
09-12K	16A

### BEMÆRK

- Sørg for, at den strømførende leder, nullelederen og jordlederen i netstikket er korrekt tilsluttet.
- Utilstrækkelige eller forkerte elektriske tilslutninger kan forårsage elektrisk stød eller brand.

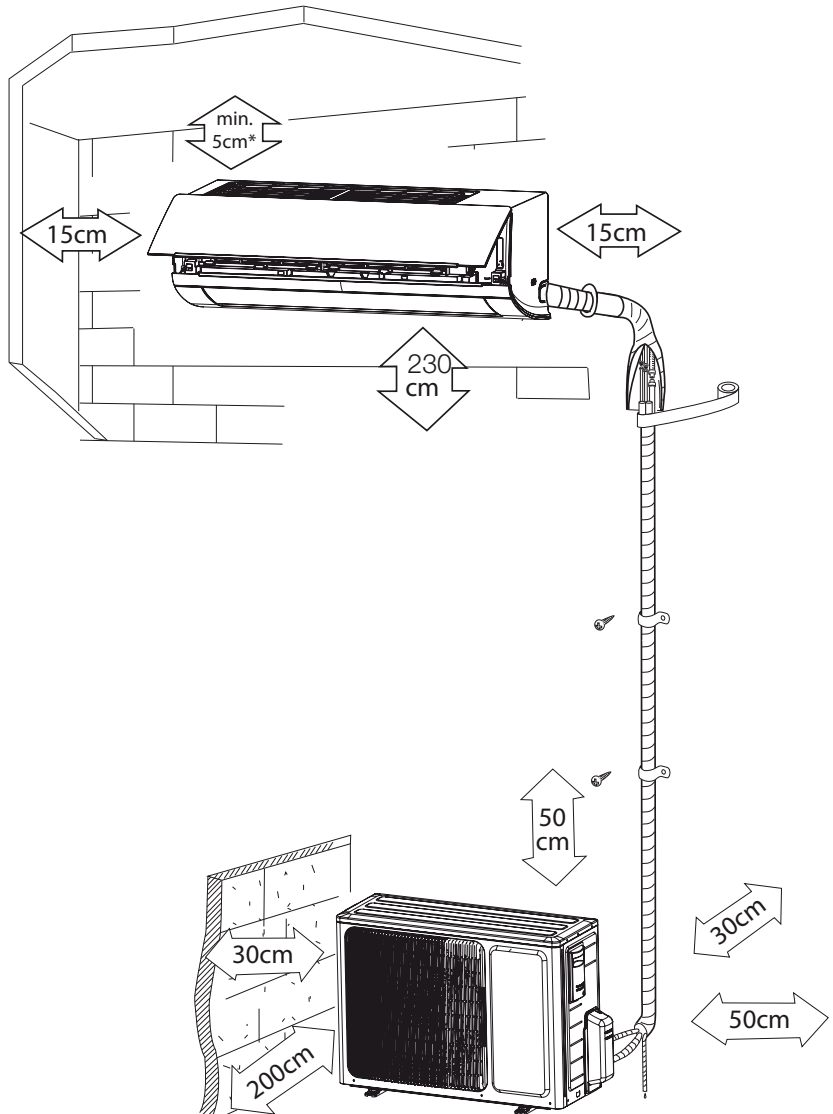
#### Krav til jordforbindelse

- Enheden er en elektrisk anordning af typen I. Sørg for, at enheden er korrekt jordforbundet.

- Den gulgrønne leder er jordlederen, der ikke kan bruges til andre formål. Forkert jordforbindelse kan forårsage elektrisk stød.
- Jordbundsmodstanden skal overholde de lokale bestemmelser.
- Netforsyningen skal have en pålidelig jordklemme. Undlad at slutte jordlederen til vandrør, gasrør, kontamineringsrør eller andre mulige usikre steder.
- Sikringer skal overholde den fastsatte model og mærkelast, der er trykt på sikringsdækslet eller printpladen.

## Installationtegning

De påkrævede mål for korrekt installation af enheden omfatter de minimalt tilladte afstande til tilstødende dele.



\* Anbefalet afstand for maksimal luftstrøm er  $15\text{cm}$ .

## Indeenhed

Installation af monteringspladen

1. Fastgør monteringspladen vandret
2. Fastgør monteringspladen til væggen med skruer. Sørg for, at monteringspladen er tilstrækkeligt fastgjort for at understøtte ca. 60 kg. Vægten skal fordeles jævnt mellem hver skrue.

Bor hul til rør

1. Hæld rørhullet (Ø 55 mm) på væggen en smule nedad til ydersiden.
2. Isæt rørhulsmuffen i hullet for at forhindre beskadigelse af rør- og elforbindelser.

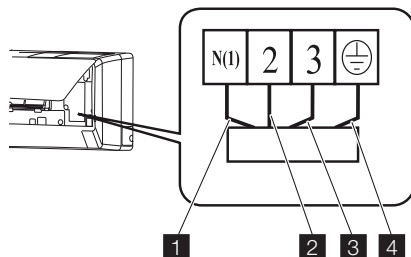
Installation af afløbsslange

1. Slut afløbsslangen til indeenhedens udgangsrør. Indbind leddet med gummirem.
2. Læg afløbsslangen ind i det isolerende rør.
3. Pak det isolerende rør ind i en bred gummirem for at forhindre det isolerende rør i at flytte sig. Hæld gummislangen en smule nedad for at få en jævn udtømning af kondensvandet.

### BEMÆRK

- Det isolerende rør skal tilsluttes godt med muffen uden på udgangsrøret. Afløbet skal hældes en smule nedad uden fordrejninger, udbulinger eller udsving. Undlad at anbringe afløbsslangens udgang i vand for at forhindre afløbsslangen i at fryse fast.

Elektrisk ledningsføring for indeenhed:



Nr.	Farve
1	Blå (nul)
2	Sort
3	Brun
4	Gul (jord)



### FORSIGTIG

- Kontrollér ledningsføringen for at sikre, at der ikke er kortslutning. Forkert ledningsføring kan forårsage funktionsfejl.
1. Fjern frontpanelet.
  2. Fjern beskyttelsespapiret.
  3. Fastgør netledningen til klemrækken (som vist).
  4. Før netledningen gennem hullet på bagsiden af indeenheden.
  5. Installér ledningsafastningsbøjlen og ledningsdækslet.
  6. Fjern frontpanelet.

### BEMÆRK

- Den elektriske ledningsføring mellem indeenheden og udeenheden skal tilsluttes af en kvalificeret elektriker.
- Stram tilslutningsklemmernes skrue godt.
- Efter at have strammet skrueerne skal du trække en smule i ledningstråden for at bekræfte, om den er stram eller ej.
- Sørg for, at elforbindelserne er jordet korrekt for at forhindre elektrisk stød.

- Sørg for, at ledningsforbindelserne er sikre, og at dækpladerne er monteret korrekt for at forhindre elektrisk stød.

#### Installation af indeenhed

Rørføringen kan udføres fra højre, højre bagside, venstre eller venstre bagside.

1. Når rør- og ledningsforbindelserne føres ud fra indeenhedens venstre eller højre side, skal du skære halerne af fra stellet, når det er nødvendigt.
2. Fjern rørforbindelserne fra hoveddelshylsteret.
3. Pak rørforbindelserne, netledningerne og afløbsslangen ind i tape.
4. Før rørforbindelserne, netledningerne og afløbsslangen gennem rørhullet.
5. Hæng indeenhedens monteringsriller godt fast på monteringspladens øverste kroge.
6. Installationsstedet skal være mindst 230 cm over gulvets overflade.

#### Installation af tilslutningsrøret

1. Niveller midten af rørføringskraven med den relaterede ventil.
2. Skru kravemøtrikken i manuelt, og stram derefter møtrikken med rørtang og momentnøgle. Se den følgende tabel

Sekskantede møtrik diameter (mm)	Tilspændingsmoment (Nm)
Ø 6	15-20
Ø 9,52	30-40
Ø 12	45-55
Ø 16	60-65
Ø 19	70-75

#### BEMÆRK

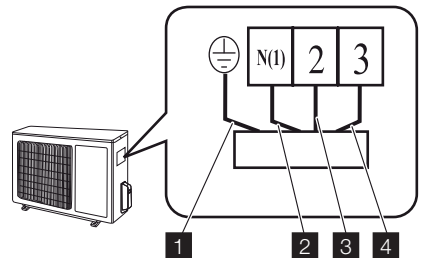
- Slut først tilslutningsrøret til indeenheden og derefter til udeenheden. Håndtér rørforbindelsens bugtning forsigtigt. Undlad at beskadige

tilslutningsrøret. Stram ledmøtrikken godt for at forhindre lækage.

- Rørene, der tilslutter inde- og udeenheden, følger ikke med i enheden.
- Såfremt længden af det tilsluttende rør er over 7,5m, skal enheden påfyldes ekstra kølemiddel. Tilføj 20g/m R410A for modeller med en kapacitet på under 6500W. Tilføj 50g/m for de andre modeller.

#### Udeenhed

Elektrisk ledningsnet



Nr.	Farve
1	Gul (jord)
2	Blå (nul)
3	Sort
4	Brun

#### ⚠ FORSIGTIG

- Kontrollér ledningsføringen for at sikre, at der ikke er kortslutning. Forkert ledningsføring kan forårsage funktionsfejl.
1. Fjern håndtaget (x2) på udeenhedens højre sideplade.
  2. Fjern netledningsafastningsbøjlen.
  3. Slut netledningen til klemrækken.
  4. Lås ledningens position med trådklemmer.
  5. Se efter, om der er forkerte forbindelser.
  6. Monter håndtaget.

**BEMÆRK**

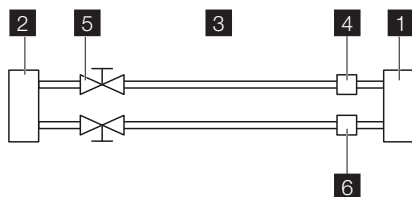
- Se efter, om der er fri plads mellem tilslutningen og låsepositionerne.

**FORSIGTIG**

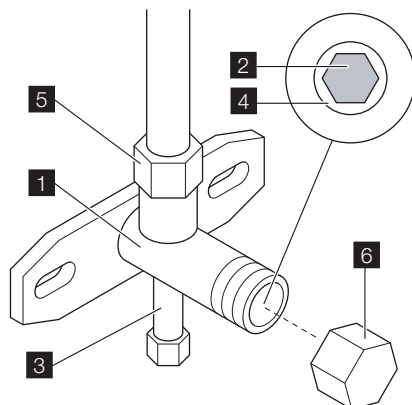
- Åbn den pakkede ventils spindel, indtil den rammer stopperen igen. Forsøg ikke at åbne den yderligere. Luk den pakkede ventils hætte med en rørtang.

**BEMÆRK**

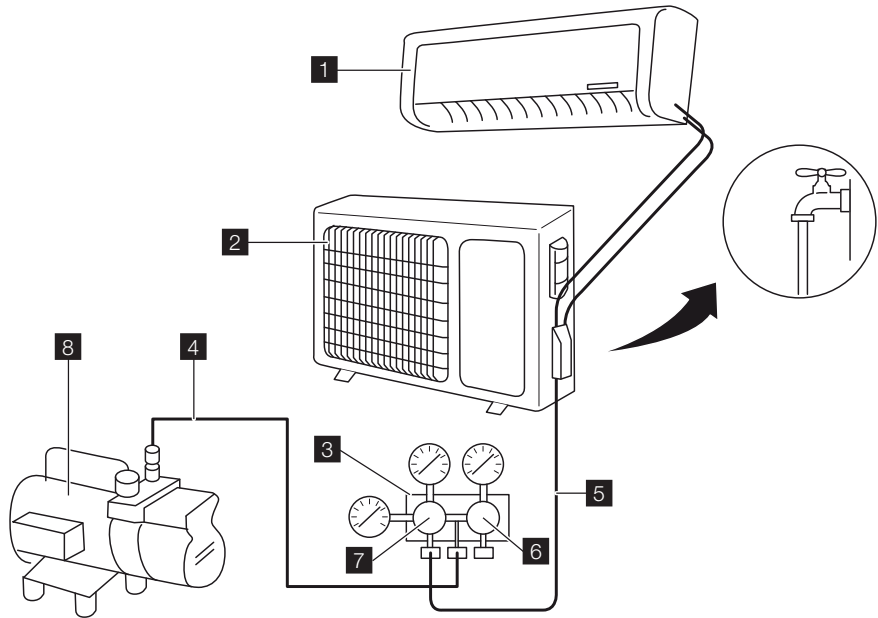
Udeenheden har to udgange, den lave sideudgang og den høje sideudgang. Kun den lave sideudgang indeholder en påfyldningsport. Den lave sideudgang vises herunder.



- 1** Indeenhed
- 2** Udeenhed
- 3** Kølemiddel
- 4** Gas
- 5** Pakket ventil
- 6** Halvunion



- 1** Ventilhus
- 2** Ventilspindel
- 3** Påfyldningsport
- 4** Stopper
- 5** Kravemøtrik
- 6** Hætte



- |  |  |
|--|--|
| <ul style="list-style-type: none"> <li>1 Ventilhus</li> <li>2 Ventilspindel</li> <li>3 Påfyldningsport</li> <li>4 Stopper</li> <li>5 Kravemøtrik</li> <li>6 Hætte</li> </ul> | <ul style="list-style-type: none"> <li>8. Stram låsemøtrikken</li> <li>9. Lad udtømningen være i 15 minutter eller derover, og kontroller, at måleren viser <math>-7,6 \times 10^5 \mu\text{mHg}</math> (<math>-1 \times 10^5 \text{ Pa}</math>) (<math>-0,7 \text{ Bar}</math>).</li> <li>10. Luk manifoldventilens Lo-håndtag helt, og stands betjeningen af vakuumpumpen.</li> <li>11. Drej spindlen på den pakkede ventil B ca. <math>45^\circ</math> mod uret i 6-7 sekunder, efter gassen kommer ud, og stram derefter kravemøtrikken igen.</li> <li>12. Sørg for, at trykvisningen på trykviseren er lidt højere end det atmosfæriske tryk. Dette er for at bekræfte, at kølemidlet flyder korrekt gennem rørene.</li> <li>13. Fjern vakuumslangen.</li> <li>14. Sæt påfyldningsportens hætte på plads.</li> <li>15. Åbn den pakkede ventils spindler B og A helt.</li> <li>16. Stram hættten på de pakkede ventiler godt.</li> </ul> |
|--|--|

#### Brug af vakuumpumpen

1. Stram kravemøtrikkerne helt ved tilslutningspunkt A, B, C og D.
2. Tilslut vakuumslangen mellem påfyldningsporten og manifolden.
3. Tilslut den anden påfyldningsslange mellem manifolden og vakuumpumpen.
4. Åbn manifoldventilens Lo-håndtag helt.
5. Få vakuumpumpen til at tømme.
6. Løsn Lo-ventilens kravemøtrik på gasrørsiden en smule.
7. Se efter, om der kommer luft ind (vakuumpumpens støj ændres, og måleren viser 0 i stedet for minus).

Udekondenstømning (kun varmepumpeenhed)

Under opvarmning skal kondensvand og optøningsvand tømmes gennem afløbsslangen.

1. Installér udeafløbsforbindelsesledet i et Ø 25 mm hul på bundpladen.
2. Fastgør afløbsslangen til forbindelsesledet, så vandet i udeenheden kan tømmes. Huldiameteren 25 skal være tilstoppet.

## Kontrollere efter installation

Elementer, der skal kontrolleres	Mulig fejl
Hvis enheden har været monteret fast?	Enheden kan falde, ryste eller udsende støj.
Har du udført testen af kølemiddellækage?	Utilstrækkelig afkøling eller opvarmning.
Er den termiske isolering tilstrækkelig?	Kondensering.
Er vandudtømningen tilfredsstillende?	Vandlækage.
Er spændingen i overensstemmelse med mærkespændingen på mærkepladen?	Elektrisk funktionsfejl eller beskadigelse af enheden.
Er den elektriske ledningsforbindelse eller rørforbindelsen installeret korrekt og sikkert?	Elektrisk funktionsfejl eller beskadigelse af delene.
Er enheden blevet sluttet korrekt til jord?	Elektrisk lækage.
Er netledningen som specificeret?	Elektrisk funktionsfejl eller beskadigelse af dele.
Er luftindgangen eller luftudgangen blokeret?	Utilstrækkelig afkøling eller opvarmning.
Er forbindelsesrørenes længde og kølekapaciteten som specificeret	Utilstrækkelig kølekapacitet.
Er forbindelsesrørenes længde og kølekapaciteten som specificeret	Utilstrækkelig kølekapacitet.

## Driftstest

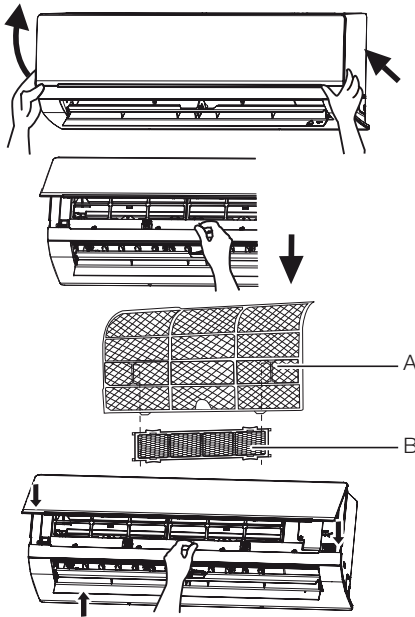
Inden driftstest

- Undlad at slutte enheden til strømforsyningen, inden installationen er afsluttet.
- Den elektriske ledningsføring skal tilsluttes korrekt og sikkert.
- Forbindelsesrørenes rørbrudsventiler skal åbnes. Se afsnittet "Vakuum- og lækagetest".
- Enheden skal rengøres grundigt.

Driftstestmetode

1. Tilslut apparatet til elforsyningen.
2. Tryk på knappen ON/OFF (Tænd/sluk) for at tænde for enheden.
3. Tryk på knappen MODE (Tilstand) for at indstille driftstilstanden og kontrollere, om driften er som forventet.

# SUNDHEDSFILTER



## Installation

1. Fjern frontpanelet.
2. Fjern luftfilteret (A).
3. Fastgør sundhedsfilteret (B) til luftfilteret (A).
4. Installér luftfilteret (A).
5. Fjern frontpanelet.

## Vedligeholdelse og rengøring

1. Tag filteret ud.
2. Fjern støv fra sundhedsfilteret med en støvsuger.
3. Hvis sundhedsfilteret er beskidt, skal du rengøre sundhedsfilteret med varmt vand og et mildt rengøringsmiddel. Lad sundhedsfilteret tørre naturligt et køligt, mørkt sted.
4. Installér sundhedsfilteret.

## Serviceinterval

Serviceintervallet for sundhedsfilteret er ca. et år under normale forhold. Sundhedsfilteret skal udskiftes, når overfladen bliver sort (grøn).

# INNEHÅLLSFÖRTECKNING

Säkerhetsföreskrifter .....	49
Beskrivning .....	50
Fjärrkontroll .....	50
Rengöring och underhåll .....	56
Felsökning.....	57
Tips vid användning .....	59
Installation.....	60
Hälsofilter.....	69

## WE'RE THINKING OF YOU

Tack för att du köpt en Electrolux-produkt. Du har valt en produkt som för med sig årtionden av yrkeserfarenhet och innovation. Genial och snygg har den utformats med dig i åtanke. Så när du än använder den kan du känna dig trygg med att veta att du får fantastiska resultat varje gång.

Välkommen till Electrolux.

### Besök vår webbplats för att:



Få tips om användning, broschyrer, felsökare, serviceinformation:  
**[www.electrolux.com](http://www.electrolux.com)**



Registrera din produkt för bättre service:  
**[www.electrolux.com/productregistration](http://www.electrolux.com/productregistration)**



Köp tillbehör, förbrukningsvaror och originalreservdelar till din produkt:  
**[www.electrolux.com/shop](http://www.electrolux.com/shop)**

## KUNDTJÄNST OCH SERVICE

Vi rekommenderar att originalreservdelar används.

Ha följande uppgifter till hands när du kontaktar serviceavdelningen.

Informationen finns på typskylten. Modell, PNC, serienummer.



Varnings-/viktig säkerhetsinformation



Allmän information och tips



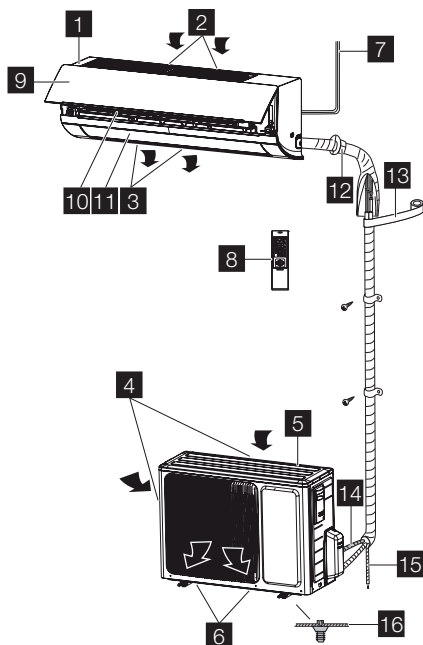
Miljöinformation

Vi förbehåller oss rätten till ändringar utan föregående meddelande.

# SÄKERHETSFÖRESKRIFTER

- Läs bruksanvisningen noga före användning.
- Behåll bruksanvisningen för framtida referens.
- Apparaten är inte avsedd att användas av personer (inklusive barn) med begränsad fysisk, sensorisk eller mental kapacitet eller som saknar erfarenhet och kunskap, om det inte finns någon som ansvarar för deras säkerhet som övervakar dem eller som har givit dem instruktioner om användning av apparaten.
- Barn ska övervakas så att de inte kommer i närheten av apparaten.
- Om något onormalt inträffar (t.ex. att det luktar bränt), koppla bort enheten från strömkällan och kontakta ett auktoriserat servicecenter. Om problemet kvarstår kan luftkonditioneringen skadas eller ge elektriska stötar eller orsaka brand.
- Stäng av och koppla bort enheten från strömkällan före rengöring och underhåll. Om enheten är ansluten till ett proppskåp, avlägsna säkringen.
- Dra inte i nätkabeln och se till att den inte skadas eller deformeras på annat sätt. Om den skadas måste den bytas ut av tillverkaren och dennes serviceaggent, eller en motsvarande kompetent person, för att undvika säkerhetsrisker. Använd endast en utbyteskabel som följer tillverkarens specifikationer.
- Använd inte en ospecificerad strömsladd, för att förhindra elektriska stötar och eld.
- Utrustningen skall installeras enligt nationella bestämmelser för ledningsdragning. Felaktig kabelanslutning kan leda till att nätkabeln, stickkontakten och eluttaget överhettas och orsakar brand.
- Om spänningen är för hög skadas elektriska delar lätt. Om spänningen är för låg kommer kompressorn att vibrera kraftigt och skada kylsystemet eller kompressorn. Elektriska komponenter kan inte användas.
- Kontrollera alltid att enheten är ordentligt jordad för att förhindra elektriska stötar.
- Varning: Försök inte att installera, demontera eller reparera enheten på egen hand. Ett felaktigt utfört arbete kan orsaka elektriska stötar, vattenläckage, brand etc. Kontakta din återförsäljare eller en auktoriserad serviceverkstad för installation, demontering eller reparation av enheten.
- Håll brännbara material på minst en meters avstånd från enheten för att förhindra eld och explosioner.
- Montera fast utomhusenhetsen noga för att undvika personsador.
- Stå inte på utomhusenhetsen. Placera inte tunga föremål på utomhusenhetsen.
- Blockera inte luftintaget eller luftutloppet.
- Spruta inte vatten på enheten, för att undvika elektriska stötar.
- Hantera inte enheten med blöta händer, för att förhindra elektriska stötar.
- Stoppa inte in dina händer eller föremål i luftintaget eller luftutloppet.
- Utsätt inte djur eller växter för luftflödet.
- Utsätt inte dig själv för kylig luft under längre perioder.
- Använd inte enheten för något annat syfte, som exempelvis att konservera mat eller för att torka kläder.
- Välj den bäst anpassade temperaturen för att spara el.
- Håll inte fönster och dörrar öppna under längre tid vid drift.
- För att byta luftflödets riktning, använd fjärrkontrollen för att justera den horisontella och vertikala luftflödesriktningen.
- Släng inte denna produkt som osorterat kommunalt avfall. Insamling av sådant avfall ska göras separat, eftersom särskild behandling krävs.

## BESKRIVNING



- 1 Inomhusenhet
- 2 Luftintag (inomhusenhet)
- 3 Luftutlopp (inomhusenhet)
- 4 Utomhusenhet
- 5 Luftintag (utomhusenhet)
- 6 Luftutlopp (utomhusenhet)
- 7 Strömkladd
- 8 Fjärrkontroll
- 9 Frontpanel
- 10 Filter
- 11 Horisontellt galler
- 12 Väggrör
- 13 Tejp
- 14 Anslutningsrör
- 15 Dräneringsslang
- 16 Dräneringsanslutning

## FJÄRRKONTROLL

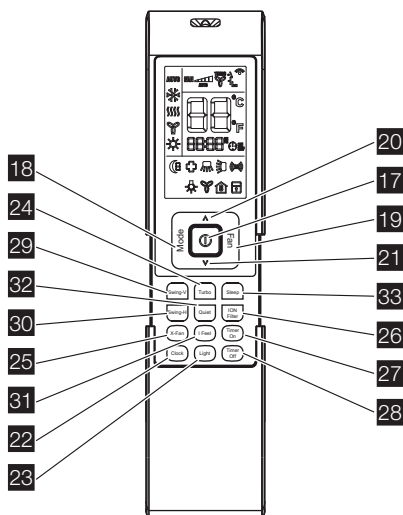
Fjärrkontrollen kan användas med olika modeller. Beroende på modell är vissa av fjärrkontrollens funktioner inte tillgängliga.

**VARNING**

- Tappa eller släng inte fjärrkontrollen.
- Håll inte vätska på fjärrkontrollen.
- Utsätt inte fjärrkontrollen för direkt solljus.
- Placera inte fjärrkontrollen i områden där det är väldigt varmt.

**OBS**

- Kontrollera att det inte finns några föremål mellan signalsändaren på fjärrkontrollen och signalmottagaren på enheten.



## Förklaring av knappar

Nr.	Knapp	Förklaring
17	PÅ/AV	Tryck på knappen för att slå på enheten. Tryck på knappen igen för att stänga av enheten.
18	MODE (läge)	Tryck på knappen för att ställa in driftläge: AUTO (automatiskt), COOL (kyla), DRY (torka), FAN (fläkt) och HEAT (värme). Standardinställning: AUTO (automatiskt).  I läget AUTO (automatiskt) visas inte temperaturen. I läget HEAT (värme) är ursprungsvärdet 28 °C (82 °F). I andra lägen är ursprungsvärdet 25 °C (77 °F).
19	FAN (fläkt)	Tryck på knappen för att ställa in fläkthastigheten: AUTO (automatiskt), LOW (låg), MEDIUM LOW (medellåg), MEDIUM (medel), MEDIUM HIGH (medelhög) och HIGH (hög). Standardinställning: AUTO (automatiskt). I läget DRY (torka) kan bara LOW (låg) ställas in.
20	UPP (^)	Tryck på knappen för att höja temperaturen. Håll knappen nedtryckt i två sekunder för att skynda på processen. Släpp knappen för att ställa in temperaturen och skicka ordern att signalen °C/°F ska visas konstant.  Temperaturintervall: 16-30 °C (61-86 °F).  I läget AUTO (automatiskt) kan inte temperaturen ställas in. Om du trycker på UPP- eller NER-knappen kommer ett pip att höras.
21	NER (v)	Tryck på knappen för att sänka temperaturen. Håll knappen nedtryckt i två sekunder för att skynda på processen. Släpp knappen för att ställa in temperaturen och skicka ordern att signalen °C/°F ska visas konstant.  Temperaturintervall: 16-30 °C (61-86 °F).  I läget AUTO (automatiskt) kan inte temperaturen ställas in, men ordern kan skickas genom att trycka på knappen.
22	CLOCK (klocka)	Tryck på knappen för att ställa in klockan. Om klocksymbolen blinkar, tryck på UPP- eller NER-knappen för att ställa in tiden. Håll knappen nedtryckt i två sekunder för att skynda på processen. Tryck på knappen CLOCK (klocka) igen för att ställa in klockan. Klocksymbolen slutar att blinka.  Efter batteribyte kommer "12:00 PM" att visas. Om klocksymbolen är synlig visas aktuell tid. Om klocksymbolen inte är synlig visas timern.
23	LIGHT (ljus)	Tryck på knappen för att stänga av eller slå på inomhusenhetens display. Standardinställning: AV.
24	TURBO	I läget COOL (kyla) eller HEAT (värme), tryck på knappen för att aktivera eller avaktivera turbofunktionen. Om turbofunktionen är aktiverad visas turbosymbolen. Standardinställning: AV.  Om turbofunktionen är aktiverad kommer enheten att fungera med turbofart för att kyla eller värma snabbt, så att den omgivande temperaturen når den inställda temperaturen så snabbt som möjligt.

		Om driftläge eller fläkthastighet ändras kommer inte turbosymbolen att visas.
25	X-FAN (x-fläkt)	I läget COOL (kyla) eller DRY (torka) , tryck på knappen för att aktivera eller avaktivera funktionen X-FAN (x-fläkt). Om funktionen X-FAN (x-fläkt) är aktiverad visas symbolen för X-FAN (x-fläkt). Standardinställning: AV.
		Om funktionen X-FAN (x-fläkt) är aktiverad kommer inomhusfläkten att fortsätta att gå i låg hastighet under 2 minuter efter att enheten har stängts av. Denna funktion förhindrar eventuell kondens på kalla delar av inomhusenheten. Tryck på knappen X-FAN (x-fläkt) för att stänga av enheten under proceduren.
		Om funktionen X-FAN (x-fläkt) är avaktiverad stängs enheten av omedelbart.
		I läget AUTO (automatiskt), FAN (fläkt) och HEAT (värme) är inte X-FAN (x-fläkt) tillgängligt.
26	ION-FILTER (jonfilter)	Tryck på knappen för att aktivera eller avaktivera hälsofiltrat.
27	TIMER ON (timer på)	Tryck på knappen för att ställa in timerfunktionen för att slå på enheten. Om symbolen TIMER ON (timer på) blinkar, tryck på UPP eller NER-knappen för att ställa in tiden. Håll knappen nedtryckt i två sekunder för att skynda på processen. Tryck på knappen för att ställa in timern. Standardinställning: 5:00 PM (12-timmarsläge). Tryck på knappen igen för att avbryta timerfunktionen.
28	TIMER OFF (timer av)	Tryck på knappen för att ställa in timerfunktionen för att stänga av enheten. Om symbolen TIMER OFF (timer av) blinkar, tryck på UPP eller NER-knappen för att ställa in tiden. Håll knappen nedtryckt i två sekunder för att skynda på processen. Tryck på knappen för att ställa in timern. Standardinställning: 5:00 PM (12-timmarsläge). Tryck på knappen igen för att avbryta timerfunktionen.
29	SWING-V (pendling-v)	Tryck på knappen för att aktivera eller avaktivera den vertikala pendlingsfunktionen.
30	SWING-H (pendling-h)	Tryck på knappen för att aktivera eller avaktivera den horisontella pendlingsfunktionen.
31	I FEEL (jag känner)	Tryck på knappen för att aktivera eller avaktivera funktionen I FEEL (jag känner). Om funktionen I FEEL (jag känner) är aktiverad visas symbolen för I FEEL (jag känner).
		Om symbolen för I FEEL (jag känner) är aktiverad kommer fjärrkontrollen att skicka den omgivande temperaturen till huvudenheten var tionde minut, eller när du trycker på någon av knapparna.
32	QUIET (tyst)	Tryck på knappen för att aktivera eller avaktivera funktionen QUIET (tyst). Om funktionen QUIET (tyst) är aktiverad kommer inomhusfläkten att gå väldigt långsamt så att ljudet inomhus är lågt.

33	SLEEP (viloläge)	Tryck på knappen för att välja (SLEEP 1, SLEEP 2, SLEEP 3 eller SLEEP CANCEL (ej viloläge)). Standardinställning: SLEEP CANCEL (ej viloläge).
	SLEEP 1	I läge COOL (kyla) och DRY (torka):
		Status för viloläge efter en timmes drift: Temperaturen kommer att stiga med 1 °C.
		Status för viloläge efter två timmars drift: Temperaturen kommer att stiga med 2 °C.
		Efter denna tid kommer enheten att använda den nya temperaturen.
		I läge HEAT (värme):
		Status för viloläge efter en timmes drift: Temperaturen kommer att sjunka med 1 °C.
		Status för viloläge efter två timmars drift: Temperaturen kommer att sjunka med 2 °C.
		Efter denna tid kommer enheten att använda den nya temperaturen.
	SLEEP 2	I läge COOL (kyla):
		Om du ställer in en temperatur i intervallet 16-23 °C kommer temperaturen att stiga med 1 °C varje timme. Efter 3 °C kommer temperaturen att behållas. Efter sju timmar kommer temperaturen att sjunka med 1 °C. Efter denna tid kommer enheten fortsätta att använda den nya temperaturen.
		Om du ställer in en temperatur i intervallet 24-27 °C kommer temperaturen att stiga med 1 °C varje timme. Efter 2 °C kommer temperaturen att behållas. Efter sju timmar kommer temperaturen att sjunka med 1 °C. Efter denna tid kommer enheten fortsätta att använda den nya temperaturen.
		Om du ställer in en temperatur i intervallet 28-29 °C kommer temperaturen att stiga med 1 °C varje timme. Efter 1 °C kommer temperaturen att behållas. Efter sju timmar kommer temperaturen att sjunka med 1 °C. Efter denna tid kommer enheten fortsätta att använda den nya temperaturen.
		Om du ställer in temperaturen 30 °C kommer temperaturen att sjunka med 1 °C efter sju timmar. Efter denna tid kommer enheten att använda den nya temperaturen.
		I läge HEAT (värme):
		Om du ställer in temperaturen 16 °C kommer temperaturen att sjunka med 1 °C efter sju timmar.
		Om du ställer in en temperatur i intervallet 17-20 °C kommer temperaturen att stiga med 1 °C varje timme. Efter 1 °C kommer temperaturen att behållas.
		Om du ställer in en temperatur i intervallet 21-27 °C kommer temperaturen att stiga med 1 °C varje timme. Efter 2 °C kommer temperaturen att behållas.

	Om du ställer in en temperatur i intervallet 28-30 °C kommer temperaturen att stiga med 1 °C varje timme. Efter 3 °C kommer temperaturen att behållas.
SLEEP 3	SLEEP 3 Användardefinierat läge. Tiden på fjärrkontrollen kommer att visa "1 hour" (1 timme). Temperaturen som ska användas efter en timme kommer att blinka.
	Tryck på UPP- eller NER-knapparna för att ställa in önskad temperatur. Tryck på knappen TURBO igen för att bekräfta.
	Värdet "1 hour" kommer att öka till värdet "2 hours" (2 timmar), "3 hours" (3 timmar) eller "8 hours" (8 timmar). I varje steg kommer motsvarande temperatur att blinka.
	Upprepa stegen (2 3) ovan för "2 hours" (2 timmar), "3 hours" (3 timmar) och "8 hours" (8 timmar).
	Sleep 3: Visa inställda temperaturer: Välj SLEEP 3 utan att ändra temperatur. Tryck på knappen TURBO för att bekräfta.
	Obs: Ovanstående inställnings- eller kontrollprocedur avslutas om ingen knapp vidrörs på tio sekunder. Knapparna PÅ/AV, MODE (läge) och SLEEP (viloläge) avbryter också inställnings- eller kontrollproceduren.

## Vanliga funktioner

1. Koppla bort enheten från strömkällan.
2. Tryck på knappen PÅ/AV för att slå på enheten.
3. Tryck på knappen MODE (läge) för att ställa in driftläge.
4. Tryck på UPP- eller NER-knapparna för att ställa in temperaturen. (Obs: Temperaturen behöver inte ställas in i läge AUTO (automatiskt).)
5. Tryck på knappen FAN (fläkt) för att ställa in fläkthastigheten.
6. Tryck på knapparna SWING-H (pendling-h) och SWING-V (pendling-v) för att ställa in pendlingen.

## Valfria funktioner

1. Tryck på knappen SLEEP (viloläge) för att aktivera eller avaktivera viloläget.
2. Tryck på knapparna TIMER ON (timer på) och TIMER OFF (timer av) för att aktivera eller avaktivera timerfunktionen.
3. Tryck på knappen LIGHT (ljus) för att stänga av eller slå på inomhusenhetens display.

4. Tryck på knappen TURBO för att aktivera eller avaktivera turbofunktionen.

## Särskilda funktioner

Läge AUTO (automatiskt)

Temperaturen kommer inte att visas. Enheten ställer automatiskt in driftläget.

Låsa/låsa upp fjärrkontrollen.

Tryck samtidigt på knapparna SWING-V (pendling-v) och ION-FILTER (jonfilter) för att låsa eller låsa upp fjärrkontrollen. Om fjärrkontrollen är låst visas låssymbolen. Tryck på någon knapp för att få låssymbolen att blinka tre gånger och låsa upp fjärrkontrollen. Om fjärrkontrollen är olåst visas inte låssymbolen.

Celsius (°C) ~ Fahrenheit (°F)

Om enheten är avstängd, tryck samtidigt på knapparna SWING-H (pendling-h) och IONFILTER (jonfilter) för att växla mellan Celsius (°C) och Fahrenheit (°F).

Energisparfunktion

I läget COOL (kyla) tryck samtidigt på knapparna ION-FILTER (jonfilter) och CLOCK (klocka) för att aktivera eller avaktivera energisparfunktionen. Displayen visar "SE".

8 °C uppvärmningsfunktion  
I läget HEAT (värme), tryck samtidigt på knapparna ION-FILTER (jonfilter) och CLOCK (klocka) för att aktivera eller avaktivera 8 °C uppvärmningsfunktionen. Displayen visar "8 °C" ("46 °F"). Enheten börjar värma när temperaturen når under 8 °C. Fläkthastigheten är AUTO (automatisk) och kan inte ändras.

## Byta batterier

Fjärrkontrollen använder två 1,5 V AAA-batterier.

1. Öppna batterifacket.
2. Avlägsna de gamla batterierna.
3. Stoppa in de nya batterierna. Kontrollera att den positiva (+) och den negativa (-) batteripolen är rätt placerade i förhållande till den positiva (+) och den negativa (-) markeringen i batterifacket.
4. Stäng batterifacket.



### VARNING

- Använd alltid nya batterier av samma typ. Använd inte gamla batterier eller olika batterityper.
- Ta ur batterierna när fjärrkontrollen inte ska användas under en längre tid.

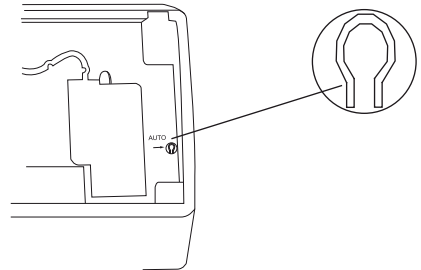
### OBS

- Använd fjärrkontrollen inom dess avstånd för sändning och mottagning.
- Använd fjärrkontrollen minst en meter från din TV eller stereo.

- Rikta fjärrkontrollen mot huvudenhetens mottagare för att förbättra huvudenhetens mottagningskänslighet.
- Om fjärrkontrollen sänder en signal, blinkar sändsymbolen i en sekund. Klockan ringar om huvudenheten tar emot signalen.
- Om fjärrkontrollen inte fungerar normalt, ta ur batterierna och stoppa i dem igen efter 30 sekunder. Om fjärrkontrollen fortfarande inte fungerar normal, byt ut batterierna.

## Nödfunktion

Om fjärrkontrollen inte kan användas, använd knappen AUTO/STOP (automatiskt/stopp) på huvudenheten. Enheten kommer att fungera i läge AUTO (automatiskt). Det går inte att ändra temperatur eller fläkthastighet.



1. Tryck på knappen AUTO/STOP (automatiskt/stopp) för att slå på enheten. Enheten ställer automatiskt in driftläget.
2. Tryck på knappen AUTO/STOP (automatiskt/stopp) igen för att stänga av enheten.

Läge	Modell	Temperaturinställning	Fläkthastighet
AUTO (automatiskt)	Endast kylning	25 °C (COOL (kyla), FAN (fläkt))	AUTO (automatiskt)
AUTO (automatiskt)	Värmepump	25 °C (COOL (kyla), FAN (fläkt))	AUTO (automatiskt)
AUTO (automatiskt)	Värmepump	20 °C (HEAT (värme))	AUTO (automatiskt)

# RENGÖRING OCH UNDERHÅLL



## VARNING

- Innan rengöring och underhåll, koppla bort enheten från strömkällan.
- Sänk inte ner enheten i vatten eller andra vätskor. Om enheten är nersänkt i vatten eller andra vätskor, avlägsna inte enheten med dina händer. Koppla omedelbart bort enheten från strömkällan. Om enheten är nersänkt i vatten eller andra vätskor, använd den inte igen.
- Spruta inte vatten på enheten, för att undvika elektriska stötar.



## VARNING

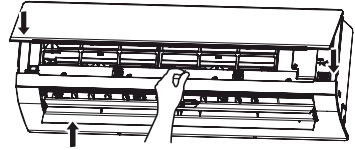
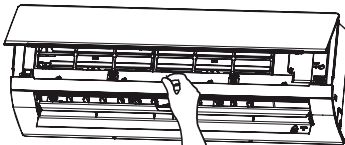
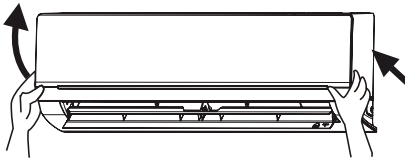
- Använd inte aggressiva vätskor (t.ex. thinner eller bensin) för att rengöra enheten. Rengör enheten med en mjuk och torr trasa, eller en trasa som är lätt fuktad med vatten eller rengöringsmedel.

## Rengöra frontpanelen

1. Avlägsna frontpanelen.
2. Rengör frontpanelen med en trasa som är lätt fuktad med vatten.
3. Montera frontpanelen.

## Rengöra luftfiltret

Luftfiltret måste rengöras minst var tredje månad.



## VARNING

- För att undvika personskador, vidrör inte inomhusenhetens fläktblad.



## VARNING

- Använd inte vatten som är varmare än 45 °C för att rengöra luftfiltret, för att förhindra deformation och missfärgning.
1. Öppna frontpanelen.
  2. Avlägsna luftfiltret.
  3. Avlägsna damm från luftfiltret med hjälp av en dammsugare.
  4. Om luftfiltret är smutsigt, rengör det med varmt vatten och ett mildt rengöringsmedel. Låt luftfiltret torka naturligt på ett svalt och mörkt ställe.
  5. Montera luftfiltret.
  6. Stäng frontpanelen.

## Kontroll innan användning

- Kontrollera att inget blockerar luftintaget eller luftutloppet.
- Kontrollera att utomhusenhetens monteringsställning inte är skadad. Om monteringsställningen är skadad, kontakta en kvalificerad tekniker.
- Kontrollera att batterierna sitter i fjärrkontrollen.

## Underhåll efter användning

- Koppla bort enheten från strömkällan.
- Rengör inomhusenhetens och utomhusenhetens filter och hölje.
- Avlägsna alla hinder från utomhusenheten.

## FELSÖKNING

**VARNING**

- Enheten kan inte repareras av användaren. För att undvika elektriska stötar och eld, försök inte att reparera

enheten själv. Låt ett auktoriserat servicecenter reparera enheten. Följande kontroller kan spara tid och pengar åt dig, innan du kontaktar ett auktoriserat servicecenter.

<b>Problem</b>	<b>Lösning</b>
Enheten fungerar inte.	Enheten fungerar inte om den sätts på omedelbart efter att den har stängts av. Efter att enheten har stängts av, vänta i cirka tre minuter innan den sätts på igen.
Det luktar.	Vissa lukter kan komma från inomhusenheten på grund av lukter i rummet (möbler, tobak etc.) som har kommit in i enheten. Om lukten inte försvinner, kontakta ett auktoriserat servicecenter.
Ljud av rinnande vatten.	Ljudet av rinnande vatten är köldmediumet som rinner inuti enheten.
Ånga släpps ut i läge COOL (kyla).	Vid kylning kan ånga komma från inomhusenheten på grund av hög rumstemperatur och fuktighet. Ångan försvinner om rumstemperaturen och fuktigheten minskar.
Knäppande ljud.	Det knäppande ljudet är ljudet av friktion som skapas genom expansion och/eller sammandragning av frontpanelen eller andra delar på grund av temperaturförändringen.
Enheten kan inte startas.	Är inte enheten kopplad till strömkällan? Har kontakten lossnat? Kontrollera om kretsbrytaren eller säkringen har utlösts. Är spänningen högre eller lägre? (testas av yrkesmän) Används timerfunktionen korrekt?
Kylnings-/uppvärmningseffekten är dålig.	Är temperaturen rätt inställd? Är luftintaget eller luftutloppet blockerat? Är luftfiltret smutsigt? Är fönstret eller dörren öppen? Är fläktens hastighet inställd på låg? Finns det andra värmekällor i rummet?

Fjärrkontrollen fungerar inte.	Finns det magnetiska eller elektriska störningskällor nära enheten? Om ja, ta ur och stoppa i batterierna.
	Är fjärrkontrollen inom dess avstånd för sändning och mottagning och inga hinder finns? Byt vid behov ut batterierna.
	Är fjärrkontrollen skadad?
Vattenläckage från inomhusenheten.	Kontrollera om dräneringsslangen är igensatt, vikt eller har lossnat.
Vattenläckage från utomhusenheten.	I läge COOL (kyla) bildas kondensvatten vid rör och kopplingar.
	I läge HEAT (värme) droppar vattnet på värmeväxlaren ut.
	I avfrostningsläget flyter tövatten ut.
Oljud från inomhusenheten.	Oljudet uppstår när fläkten eller kompressorreläet stängs av eller slås på.
	Om avfrostningsläget är startat eller stoppat kommer du att höra ljudet av kylmedel som flyter i motsatt riktning.
Inomhusenheten kan inte blåsa luft.	I läge HEAT (värme), när inomhusvärmeväxlarens temperatur är låg, stoppas luftflödet inom två minuter för att förhindra kall luft.
	I läge HEAT (värme), när utomhustemperaturen är låg eller när luftfuktigheten utomhus är hög, kommer frost att bildas på värmeväxlaren utomhus. Enheten kommer att avfrostas automatiskt och inomhusenheten kommer att sluta blåsa luft i 3-12 minuter.
	I läge DRY (torka) kommer inomhusfläkten att sluta blåsa luft i 3-12 minuter för att undvika att kondensvatten förångas igen.
	I avfrostningsläget kan vatten eller ånga komma ut.
Fukt på luftutloppet.	Om enheten används vid hög luftfuktighet under en längre tid kommer fukt att bildas på luftutloppets galler.
C5: Fel på anslutningsomkopplaren.	Kontrollera att anslutningsomkopplaren ansluter korrekt. Byt vid behov ut det gamla kretskortet mot ett nytt kretskort.
F1: Fel på inomhustemperaturgivaren.	Kontrollera att inomhustemperaturgivaren är korrekt ansluten.

F2: Fel på förångarens temperaturgivare.	Kontrollera att förångarens inomhustemperaturgivare är korrekt ansluten.
Det är ett skorrande ljud vid drift.	Stäng omedelbart av, koppla bort enheten från strömkällan och kontakta ett auktoriserat servicecenter.
Det luktar starkt vid drift.	Stäng omedelbart av, koppla bort enheten från strömkällan och kontakta ett auktoriserat servicecenter.
Vatten läcker från inomhusenheten.	Stäng omedelbart av, koppla bort enheten från strömkällan och kontakta ett auktoriserat servicecenter.
Jordfelsbrytaren eller skydds-brytaren avbryter ofta strömkällan.	Stäng omedelbart av, koppla bort enheten från strömkällan och kontakta ett auktoriserat servicecenter.
Vatten eller någon annan vätska kommer in i enheten.	Stäng omedelbart av, koppla bort enheten från strömkällan och kontakta ett auktoriserat servicecenter.
Strömssladden och kontakten är överhettade.	Stäng omedelbart av, koppla bort enheten från strömkällan och kontakta ett auktoriserat servicecenter.

## TIPS VID ANVÄNDNING

### Kylning

Luftkonditionerare absorberar värme inifrån och överför värmen till utomhusenheten för att sänka rumstemperaturen. Kylningskapaciteten kommer att öka eller minska beroende på utomhustemperaturen.

#### Frys-skydd

Om enheten är i läget COOL (kyla) och när omgivningen har en låg temperatur, kommer frost att bildas på värmeväxlaren inomhus. Om värmeväxlarens temperatur sänks under noll kommer kompressorn att sluta arbeta för att skydda enheten.

### Uppvärmning

Luftkonditionerare absorberar värme utifrån och överför värmen till inomhusenheten för att höja rumstemperaturen. Värmeeffekten

kommer att öka eller minska beroende på utomhustemperaturen.

#### Avfrostning

- Om utomhustemperaturen är låg eller när luftfuktigheten utomhus är hög, kommer frost att bildas på utomhusenheten vid lång tids användning. Värmeeffekten kommer att minska.
- Under avfrostningen kommer inomhusenhetens och utomhusenhetens fläktmotorer att stanna.
- Under avfrostningen blinkar inomhusindikatorn och utomhusenheten kan släppa ut ånga. Detta är normalt vid avfrostning av utomhusenhetens värmeväxlare.
- Efter avfrostningen kommer uppvärmningen att automatiskt börja igen.

## Funktion mot kalluft

I läge HEAT (värme) kommer inte inomhusfläkten att gå för att förhindra att kall luft blåses ut om värmeväxlaren inomhus inte uppnår en viss temperatur i en av följande situationer:

- när uppvärmningen påbörjas
- när avfrostningen är slutförd
- vid uppvärmning vid låg temperatur.

## Stilla bris

Inomhusenheten kan blåsa en stilla bris och det horisontella gallret roterar till en viss position i en av följande situationer:

- I läge HEAT (värme) startar inte kompressorn efter att enheten har slagits på.
- I läge HEAT (värme) når temperaturen det inställda värdet och kompressorn har slutat att gå under en minut.

## Drifttemperaturintervall

Temperaturintervallet i värmeläge är -20-(+24) °C, i kyl drift är temperaturintervallet -15-(+48) °C.

	Inomhussida (°C)	Utomhussida (°C)
Max. kylning	32	48
Min. kylning	21	-15
Max. uppvärmning	27	24
Min. uppvärmning	20	-20

## Tips för att spara energi

- Varken kyl eller värm för mycket. Det sparar energi om temperaturen är inställd på en måttlig nivå.
- Täck över fönster med en rullgardin eller en gardin. Det går lättare att kyla ner om solljus och luft utifrån förhindras komma in.

- Rengör luftfilter varannan vecka. Igen täppta luftfilter medför ineffektiv drift och energispill.

## Tips för relativ fuktighet

- Om enheten används i ett område med en relativ fuktighet som överstiger 80 % under en längre tid kan kondensvatten droppa från inomhusenheten.

## INSTALLATION

### Installationsanmärkningar

- Att inte följa instruktionerna kan medföra personsador och/eller egendomssador.
- Att inte följa instruktionerna kan medföra att enheten går sönder.
- Låt ett auktoriserat servicecenter installera enheten.
- Låt enheten installeras i enlighet med lokala och nationella förordningar.
- Låt enheten installeras i enlighet instruktionerna i denna bruksanvisning.
- Kontakta först ett auktoriserat servicecenter innan du flyttar en installerad enhet.
- Koppla bort strömmen innan du utför arbete på enheten.
- Låt strömsladden repareras av ett auktoriserat servicecenter eller en tekniker.
- Kontakten måste vara tillgänglig efter installation.
- Håll tillräckligt avstånd mellan den sammanlänkande kabeln och kylkretsen, eftersom kretsen har en hög drifttemperatur.

- Rören som knyter samman inomhusoch utomhusenheten levereras inte med enheten.
- Utomhusenheten drivs av inomhusenheten.

### Installationsplats

- Installera inte enheten i områden som har:
  - kraftiga värmekällor
  - ångor eller lättantändliga gaser
  - förorening med oljepartiklar
  - högfrekvent elektromagnetisk utrustning (t.ex. svetsutrustning eller medicinsk apparatur)
  - hög salthalt (t.ex. nära kusten)
  - svavelgas (t.ex. varmvattenkällor)
  - dålig luftkvalitet.

### Inomhusenhet

- Iaktta de minsta installationsavstånden som finns angivna i detta dokument. Blockera inte luftintaget eller luftutloppet.
- Använd inte enheten på platser med extremt hög fuktighet.
- Installera inomhusenheten utom räckhåll för barn.
- Väggen måste vara tillräckligt stark för att kunna klara av enhetens vikt och vibrationer från den.
- Installera inomhusenheten minst 230 cm över golvet.
- Lämna tillräckligt utrymme för rengöring och underhåll.
- Luftfiltret måste vara tillgängligt.
- Lämna åtminstone 1 m avstånd mellan enheten och andra elektriska apparater.
- Installera inomhusenheten på en plats där kondensvattnet lätt kan avlägsnas.
- Installera på en plats som är skyddad från direkt solljus.

### Utomhusenhet

- Iaktta de minsta installationsavstånden som finns angivna i detta dokument.
- Blockera inte luftintaget eller luftutloppet.
- Installera utomhusenheten utom räckhåll för barn.
- Installera utomhusenheten där det finns god ventilation.
- Installera utomhusenheten där det oväsende och det luftflöde som uppstår inte stör grannar eller djur.
- Installera utomhusenheten på en torr plats.
- Installera utomhusenheten på en plats som inte är utsatt för starkt solljus eller kraftiga vindar.
- Installera enheten på en plats som tål enhetens vikt och vibrationer.
- Höjdskillnaden mellan inomhusenheten och utomhusenheten måste vara mindre än 5 m.
- Anslutningsrören måste vara kortare än 10 m.
- Lämna tillräckligt utrymme för rengöring och underhåll.
- Utomhusenheten drivs av inomhusenheten.

### Säkerhetsföreskrifter för elektriska apparater

- Använd en särskild strömkrets.
- Enheten måste vara korrekt jordad.
- Installera en jordfelsbrytare för att skydda mot elektriska stötar i händelse av läckströmmar.
- Installera en strömbrytare med ett kontaktsavstånd på minst 3 mm mellan alla poler i nätkretsen.
- Installationen måste följa lokala elsäkerhetsföreskrifter och andra relevanta lokala föreskrifter.
- Enheten måste installeras i enlighet med nationella elinstallationsföreskrifter.

- Behandla strömsladden försiktigt.
- Lämna åtminstone 1,5 m avstånd mellan enheten och andra värmekällor.
- Använda en luftbrytare. Luftbrytaren måste ha funktioner för magnetisk utlösning och värmeutlösning för att förhindra kortslutning och överbelastning. Rätt kapacitet anges i nedanstående tabell.

Luftkonditionering (Btu)	Kapacitet luftbrytare
09-12K	16A

### OBS

- Kontrollera att den strömförande ledningen, den neutrala ledningen och jordledningen i eluttaget är korrekt anslutna.
- Bristfälliga eller felaktiga elektriska anslutningar kan orsaka elektriska stötar eller eld.

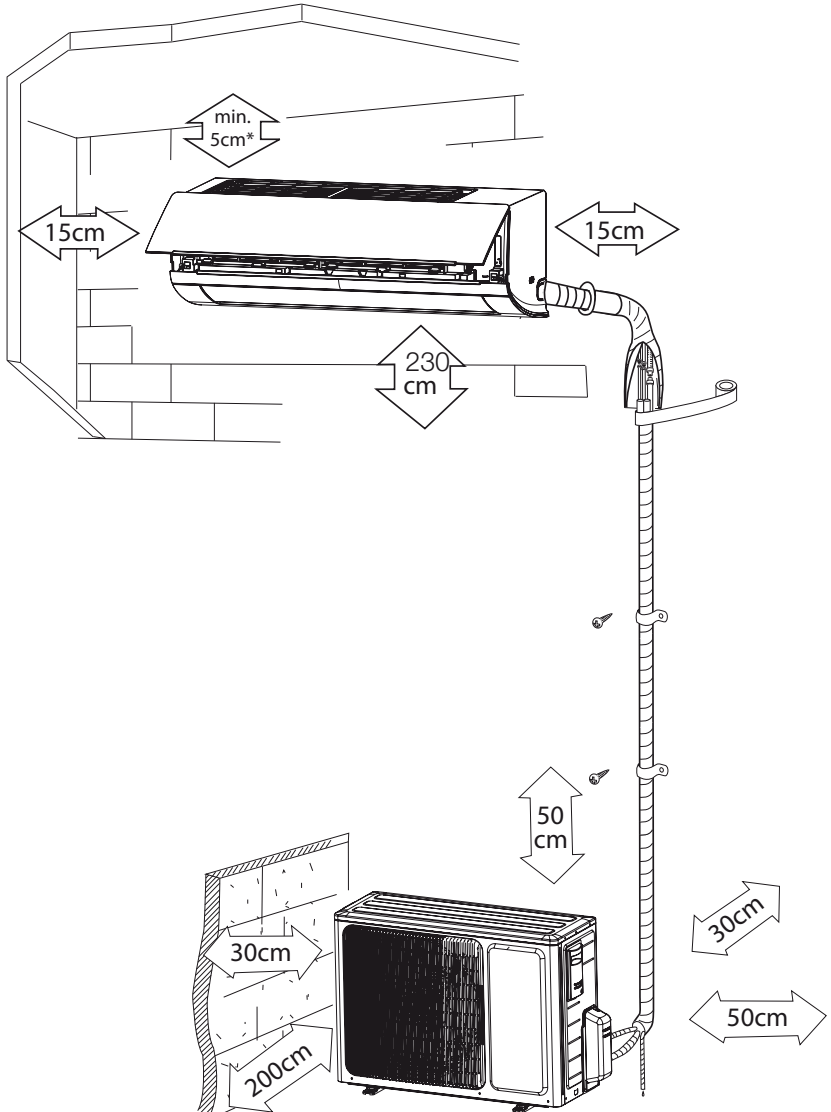
### Krav på jordning

- Enheten är en typ I elektrisk apparat. Kontrollera att enheten är korrekt jordad.

- Den gulgröna ledningen är jordledningen och kan inte användas till något annat. Felaktig jordning kan orsaka elektriska stötar.
- Jordresistansen måste uppfylla lokala föreskrifter.
- Strömförsörjningen måste ha en pålitlig jordanslutning. Anslut inte jordledningen till vattenledningar, gasledningar, avfallsledningar eller andra osäkra platser.
- Säkringar måste vara av rätt modell och klass, som finns angivet på höljet eller på kretskortet.

## Installationsritning

Måtten som krävs för korrekt installation av enheten inbegriper minsta tillåtna avstånd till angränsande delar.



\* Rekommenderat avstånd för maximalt luftflöde är 15 cm.

## Inomhusenhet

Montera monteringsplattan

1. Montera monteringsplattan horisontellt.
2. Fixera monteringsplattan på väggen med skruvar. Kontrollera att monteringsplattan sitter tillräckligt säkert fast för att kunna hålla upp cirka 60 kg. Vikten måste vara jämnt fördelad på varje skruv.

Borra hål för rör

1. Vinkla hålet för röret (Ø 55 mm) i väggen lätt neråt mot utsidan.
2. Stoppa in rörhålskragen i hålet för att motverka skada på rörledningar och elektriska installationer.

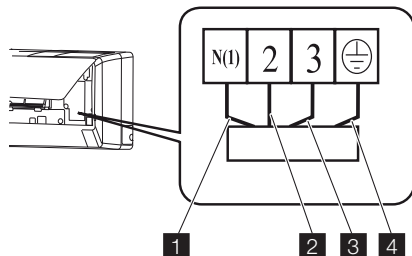
Montera dräneringsslangen

1. Anslut dräneringsslangen till inomhusenhetens utloppsrör. Försegla anslutningen med gummiband.
2. Placera dräneringsslangen i det isolerande röret.
3. Surra det isolerande röret med ett brett gummiband för att förhindra att det rör sig. Luta dräneringsslangen lätt neråt för smidig tömning av kondensvatten.

### OBS

- Det isolerande röret måste anslutas säkert med muffen utanför utloppsröret. Tömningslangen måste luta lätt neråt utan förskjutningar, utbuktningar eller skiftningar. Placera inte dräneringsslangens öppning i vatten för att undvika att den fryser.

Elledningar, inomhusenhet:



Nr.	Färg
1	Blå (neutral)
2	Svart
3	Brun
4	Gul/Grön (jord)



### VARNING

- Kontrollera elledningarna för att säkerställa att det inte är någon kortslutning. Felaktiga ledningar kan orsaka fel.
1. Öppna frontpanelen.
  2. Avlägsna ledningarnas hölje.
  3. Anslut strömladdan till uttagsplinten (enligt bild).
  4. För ledningen genom hålet på inomhusenhetens baksida.
  5. Montera dragavlastningen och ledningarnas hölje.
  6. Stäng frontpanelen.

### OBS

- Elledningen mellan inomhusenheten och utomhusenheten måste anslutas av en kvalificerad elektriker.
- Skruva åt plintskruvarna hårt.
- Efter att ha dragit åt skruvarna, dra lätt i ledningen för att kontrollera om den sitter fast eller inte.
- Kontrollera alltid att de elektriska anslutningarna är ordentligt jordade för att förhindra elektriska stötar.

- Kontrollera alltid att de elektriska anslutningarna sitter fast och att täckplåtarna är korrekt monterade för att förhindra elektriska stötar.

#### Installera inomhusenheten

Rören kan ledas ut från höger, höger baksida, vänster eller vänster baksida.

1. När rören och ledningarna dras från vänster eller höger på inomhusenheten, skär vid behov av delar av höljet.
2. Avlägsna rören från höljet.
3. Vira rör, strömsladd och dräneringsslang med tapen.
4. För igenom rör, strömsladd och dräneringsslang genom rörhålet.
5. Häng inomhusenhetens monteringsspår på monteringsplattans övre krok.
6. Installationen måste vara minst 230 cm över golvet.

#### Montera anslutningsrör

1. Justera mitten av rörflänsen efter motsvarande ventil.
2. Skruva i muttern för hand och dra sedan åt den med en skruvnyckel och en skiftnyckel. Se nedanstående tabell.

Mutterdiameter (mm)	Vridmoment (Nm)
Ø 6	15-20
Ø 9,52	30-40
Ø 12	45-55
Ø 16	60-65
Ø 19	70-75

#### OBS

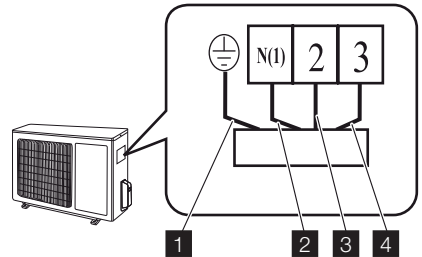
- Montera först anslutningsröret till inomhusenheten och sedan till utomhusenheten. Hantera böjarna på röret försiktigt. Skada inte

anslutningsröret. Drag åt fogmuttern för att förhindra läckage.

- Rören som knyter samman inomhusoch utomhusenheten levereras inte med enheten.
- Om rörlängden är längre än 7,5 m, fyll på enheten med mer köldmedium. Fyll på 20 g/m med R410A för modeller med en kapacitet som understiger 6500 W. 50 g/m för övriga modeller.

#### Utomhusenhet

Elektriska ledningar



Nr.	Färg
1	Gul/Grön (jord)
2	Blå (neutral)
3	Svart
4	Brun

#### ! VARNING

- Kontrollera elledningarna för att säkerställa att det inte är någon kortslutning. Felaktiga ledningar kan orsaka fel.
1. Avlägsna handtaget (x2) på utomhusenhetens högra sidoplatta.
  2. Avlägsna strömsladdens dragavlastning.
  3. Anslut strömsladden till uttagsplinten.
  4. Lås sladdens placering med sladdklämmor.
  5. Sök efter felaktiga anslutningar.
  6. Montera handtaget.

**OBS**

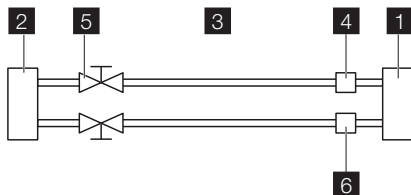
- Titta efter fritt utrymme mellan anslutningen och låspositionerna.

**VARNING**

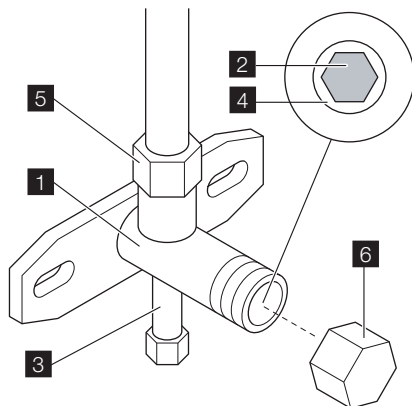
- Öppna stammen på ventilen tills den möter stoppet. Försök inte att öppna den mer. Stäng stammen på ventilen med ett särskilt verktyg. Stäng ventilens lock med en skruvnyckel.

**OBS**

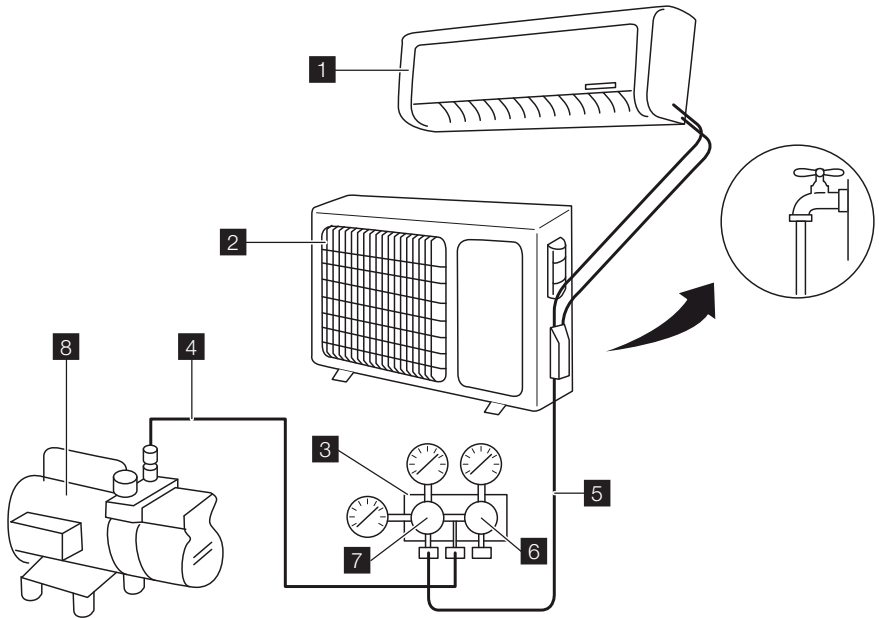
Utomhusenheten har två anslutningar, den nedre sidoanslutningen och den högre sidoanslutningen. Endast den nedre anslutningen innehåller en fyllningsport. Den nedre anslutningen visas nedan.



- 1** Inomhusenhet
- 2** Utomhusenhet
- 3** Kylmedel
- 4** Gas
- 5** Ventil
- 6** Halvunion



- 1** Ventilkropp
- 2** Ventilstam
- 3** Fyllningsport
- 4** Stopp
- 5** Flänsmutter
- 6** Lock



- 1** Inomhusenhet
- 2** Utomhusenhet
- 3** Grenventil
- 4** Fyllningsslang
- 5** Fyllningsslang
- 6** Hi-vred

- 8.** Dra åt fläsmuttern.
- 9.** Töm i 15 minuter eller mer och kontrollera att mätaren visar -0,7 Bar.
- 10.** Stäng grenrörsventilens Lo-vred helt och stäng av vakuumpumpen.
- 11.** Vrid stammen på ventil B cirka 45° moturs i 6-7 sekunder efter att gasen kommer ut, dra sedan åt fläsmuttern igen.
- 12.** Kontrollera att tryckmätaren på tryckindikatorn är lite högre än det atmosfäriska trycket. Det är för att bekräfta att köldmediet flyter korrekt genom slangarna.
- 13.** Avlägsna vakuumslangen.
- 14.** Sätt tillbaka locket på fyllningsporten.
- 15.** Öppna stammarna B och A helt.
- 16.** Dra åt ventilens lock.

#### Använda vakuumpumpen

1. Dra åt fläsmuttern helt vid anslutningspunkterna A, B, C och D.
2. Anslut vakuumslangen mellan fyllningsporten och grenröret.
3. Anslut den andra fyllningsslangen mellan grenröret och vakuumpumpen.
4. Öppna grenrörsventilens Lo-vred.
5. Använda vakuumpumpen för att tömma.
6. Lossa Lo-ventilens fläsmutter lite på gasrörssidan.
7. Kontrollera om luft kommer in (ljudet från vakuumpumpen ändras och mätaren visar 0 i stället för minus).

Tömning av utomhuskondensvatten (endast värmepumpenhet)

Vid uppvärmning måste kondensvatten och avfrostningsvatten tömmas genom dräneringsslangen.

1. Installera anslutningen för utomhustömning i ett Ø 25 mm hål i basplattan.

2. Anslut dräneringsslangen till anslutningen så att vatten i utomhusenheten kan tömmas ur. Håldiametern 25 måste vara pluggad.

## Kontrollera efter installation

Att kontrollera	Möjliga fel
Har enheten monterats fast?	Enheten kan falla, skaka eller låta illa.
Har du gjort läckagetestet för köldmediumet?	Otillräcklig kylning eller uppvärmning.
Är värmeisoleringen tillräcklig?	Kondens.
Töms vattnet ordentligt?	Vattenläcka.
Är spänningen i enlighet med märkspänningen på namnplåten?	Elektriska fel eller skador på enheten.
Är elledningar och röranslutningar installerade korrekt och säkert?	Elektriska fel eller skador på delar.
Har enheten jordats ordentligt?	Risk för personskada.
Uppfyller strömsladden specifikationerna?	Elektriska fel eller skador på delar.
Är luftintaget eller luftutloppet blockerat?	Otillräcklig kylning eller uppvärmning.
Är anslutningsrörens längd och köldmediumets kapacitet enligt specifikationerna?	Felaktig köldmediemängd.

## Funktionstest

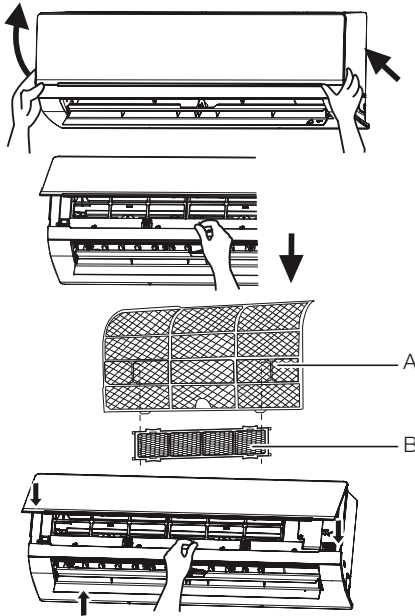
Innan funktionstest

- Anslut inte enheten till strömkällan innan installationen är slutförd.
- Elledningar måste vara korrekt anslutna.
- Avstängningsventilerna på anslutningsrören måste vara öppna. Se avsnittet "Test av vakuum och läckage".
- Enheten måste rengöras noggrant.

Metod för funktionstest

1. Anslut enheten till strömkällan.
2. Tryck på knappen PÅ/AV för att slå på enheten.
3. Tryck på knappen MODE (läge) för att ställa in driftläge och kontrollera om allt fungerar som förväntat.

# HÄLSOFILTER



## Installation

1. Öppna frontpanelen.
2. Avlägsna luftfiltret (A).
3. Anslut hälsofiltret (B) till luftfiltret (A).
4. Montera luftfiltret (A).
5. Stäng frontpanelen.

## Rengöring och underhåll

1. Avlägsna hälsofiltret.
2. Avlägsna damm från hälsofiltret med hjälp av en dammsugare.
3. Om hälsofiltret är smutsigt, rengör det med varmt vatten och ett mildt rengöringsmedel. Låt hälsofiltret torka naturligt på ett svalt och mörkt ställe.
4. Montera hälsofiltret.

## Serviceintervall

Serviceintervallet för hälsöfilter är cirka ett år under normala förhållanden. Hälsöfiltret måste bytas ut när ytan blir svart (grön).

## INNHALDSFORTEGNELSE

Sikkerhetsanvisninger.....	71
Beskrivelse.....	72
Fjernkontroll .....	72
Rengjøring og vedlikehold .....	78
Feilsøking.....	79
Driftstips.....	81
Montering.....	82
Helsefilter .....	91

## VI TENKER PÅ DEG

Takk for at du har kjøpt et produkt fra Electrolux. Du har valgt et produkt som bringer flere tiår med erfaring og innovasjon med seg. Genial og stilig, og den er designet med tanke på deg. Du kan være trygg på at du får gode resultater hver gang du bruker den.

Velkommen til Electrolux.

### Gå inn på vårt nettsted for å finne:



Få råd om bruk, finne brosjyrer, feilsøking, serviceinformasjon:  
**[www.electrolux.com](http://www.electrolux.com)**



Registrer produktet ditt for å få bedre service:  
**[www.electrolux.com/productregistration](http://www.electrolux.com/productregistration)**



Kjøp tilbehør, forbruksvarer og originale reservedeler til produktet ditt:  
**[www.electrolux.com/shop](http://www.electrolux.com/shop)**

## KUNDESTØTTE OG SERVICE

Vi anbefaler at du bruker originale reservedeler.

Når du kontakter serviceavdelingen, må du sørge for å ha følgende data for hånden.

Informasjonen finner du på typeskiltet. Modell, PNC (produktnummer), serienummer.



Advarsel/Forsiktig – Sikkerhetsinformasjon



Generell informasjon og tips



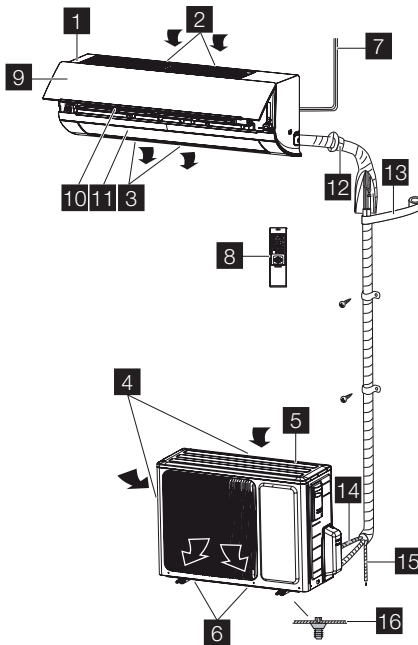
Miljøinformasjon

Med forbehold om endringer.

# SIKKERHETSANVISNINGER

- Les bruksanvisningen nøye før bruk.
- Oppbevar bruksanvisningen til senere bruk.
- Dette produktet er ikke beregnet for bruk av personer (inkludert barn) med redusert fysisk eller psykisk helse eller som mangler erfaring eller kunnskaper om bruken, med mindre de har fått innføring eller instruksjon om hvordan produktet skal brukes av en person som er ansvarlig for sikkerheten deres.
- Barn bør være under tilsyn for å sikre at de holder seg unna produktet.
- Hvis det skjer noe unormalt (for eksempel ubehagelig brentlukt), koble enheten fra strømforsyningen og kontakt et autorisert servicesenter. Hvis den unormale funksjonen fortsetter, kan det hende at klimaanlegget skades eller forårsaker elektriske støt eller brann.
- Slå av enheten og koble enheten fra strømforsyningen før rengjøring eller vedlikehold. Hvis enheten er koblet til en sikringsboks, ta ut sikringen.
- Ikke skad strømledningen eller signalkontrollledningen. Hvis strømledningen eller signalkontrollledningen er skadet, må den erstattes av en kvalifisert elektriker.
- Ikke bruk en uspesifisert strømledning, siden du da kan få elektrisk støt eller forårsake brann.
- Enheten må monteres i henhold til nasjonale forskrifter for elektrisk sikkerhet. Feilkoblinger kan føre til overoppheting eller brann i kablen, pluggen eller stikkkontakten. Ikke slå enheten av og på for ofte.
- Hvis spenningen er for høy, kan elektriske elementer lett bli skadet. Hvis spenningen er for lav, vil kompressoren vibrere voldsomt og skade kjølesystemet eller kompressoren. Elektriske komponenter kan ikke brukes.
- Kontroller at enheten er riktig jordet for å unngå elektrisk støt.
- Ikke forsøk å reparere enheten selv for å unngå elektrisk støt eller brann. La et autorisert servicesenter reparere enheten.
- Hold brennbare materialer minst 1 meter fra enheten for å hindre brann eller eksplosjon.
- Monter utedelen godt fast for å hindre personskade.
- Ikke stå på utedelen. Ikke plasser tunge ting på utedelen.
- Ikke blokker luftinntaket eller luftutløpet.
- Ikke sprut vann på enheten, siden du kan få elektrisk støt.
- Ikke bruk enheten med våte hender for å unngå elektrisk støt.
- Ikke stikk hendene dine eller gjenstander inn i luftinntaket eller luftutløpet.
- Ikke utsett dyr eller planter for direkte luftstrøm.
- Ikke utsett deg selv for direkte kaldluft over lengre tid.
- Ikke bruk enheten til andre formål, for eksempel å oppbevare mat eller tørke klær.
- Velg den mest egnede temperaturen for å spare energi.
- Ikke la vinduer og dører stå åpne over lengre tid under drift.
- Hvis du vil endre luftstrømmens retning, bruk fjernkontrollen til å justere horisontal og vertikal luftstrøm.
- Ikke kast dette produktet som usortert restavfall. Elektrisk avfall skal leveres på et dedikert innsamlingspunkt.

## BESKRIVELSE



- 1 Innedel
- 2 Luftinntak (innedel)
- 3 Luftutløp (innedel)
- 4 Utedel
- 5 Luftinntak (utedel)
- 6 Luftutløp (utedel)
- 7 Strømledning
- 8 Fjernkontroll
- 9 Forside
- 10 Filter
- 11 Horisontalt spjeld
- 12 Veggør
- 13 Festetape
- 14 Tilkoblingsrør
- 15 Avløpsslange
- 16 Avløpskobling

## FJERNKONTROLL

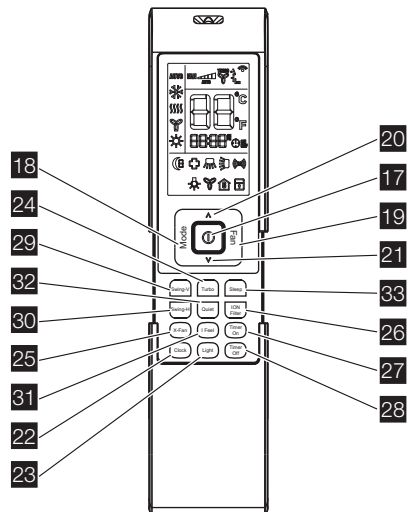
Fjernkontrollen kan brukes til forskjellige modeller. Avhengig av modellen kan det være at enkelte funksjoner på fjernkontrollen ikke er tilgjengelige.

**FORSIKTIG**

- Ikke mist ned eller kast fjernkontrollen.
- Ikke hell væske på fjernkontrollen.
- Ikke utsett fjernkontrollen for direkte sollys.
- Ikke plasser fjernkontrollen i områder der det er veldig varmt.

**MERK**

- Pass på at det ikke er noen gjenstander mellom signalsenderen på fjernkontrollen og signalmottakeren på enheten.



## Forklaring på knappene

Nr.	Knapp	Forklaring
17	PÅ/AV	Trykk på knappen for å slå på enheten. Trykk på knappen igjen for å slå av enheten.
18	MODUS	Trykk på knappen for å angi driftsmodus: AUTO, COOL, DRY, FAN og HEAT. Standardinnstilling: AUTO.  I AUTO-modus vises ikke temperaturen. I HEAT-modus er startverdien 28 °C (82 °F). I andre moduser er startverdien 25 °C (77 °F).
19	FAN	Trykk på knappen for å stille inn viftehastigheten: AUTO, LOW, MEDIUM LOW, MEDIUM, MEDIUM HIGH og HIGH. Standardinnstilling: AUTO. I DRY-modus kan bare LAV angis.
20	UP ^	Trykk på knappen for å øke temperaturen. Hold knappen inne i to sekunder for å akselerere prosessen. Slipp knappen for å stille inn temperaturen og sende en ordre om at °C/°F-signalet skal vises hele tiden.  Temperaturområde: 16-30 °C (61-86 °F).  I AUTO-modus kan ikke temperaturen stilles inn. Hvis du trykker på knappen UP eller DOWN, vil du høre et pip.
21	DOWN v	Trykk på knappen for å senke temperaturen. Hold knappen inne i to sekunder for å akselerere prosessen. Slipp knappen for å stille inn temperaturen og sende en ordre om at °C/°F-signalet skal vises hele tiden.  Temperaturområde: 16-30 °C (61-86 °F).  I AUTO-modus kan ikke temperaturen stilles inn, men du kan sende ordren ved å trykke på knappen.
22	CLOCK	Trykk på knappen for å stille klokken. Hvis klokkesymbolet blinker, trykk på UP eller DOWN for å stille klokken. Hold knappen inne i to sekunder for å akselerere prosessen. Trykk på CLOCK-knappen igjen for å stille klokken. Klokkesymbolet slutter å blinke.  Etter batteribytte vil "12:00 PM" vises. Hvis klokkesymbolet er synlig, vil den faktiske tiden vises. Hvis klokkesymbolet ikke er synlig, vil tidsuret vises.
23	LIGHT	Trykk på knappen for å slå displayet til innedelen på eller av. Standardinnstilling: OFF.
24	TURBO	I COOL- eller HEAT-modus, trykk på knappen for å aktivere eller deaktivere turbofunksjonen. Hvis turbofunksjonen er aktivert, vil turbosymbolet vises. Standardinnstilling: OFF.  Hvis turbofunksjonen er aktivert, vil enheten fungere i turbofart for å kjøle ned eller varme opp hurtig, slik at omgivelsestemperaturen nærmer seg innstilt temperatur så snart som mulig.

		Hvis driftsmodus eller viftehastighet endres, vil ikke turbosymbolet vises.
25	X-FAN	I COOL- eller DRY-modus, trykk på knappen for å aktivere eller deaktivere X-FAN-funksjonen. Hvis X-FAN-funksjonen er aktivert, vil X-FAN-symbolet vises. Standardinnstilling: OFF.
		Hvis X-FAN-funksjonen er aktivert, vil innendørsviften fortsette driften på lav hastighet i 2 minutter etter at enheten er slått av. Denne funksjonen forhindrer mulig kondens på de kalde delene av innedelen. Trykk på X-FAN-knappen for å slå av enheten i løpet av prosessen.
		Hvis X-FAN-funksjonen er deaktivert, vil enheten slås av umiddelbart.
		I AUTO-, FAN- eller HEAT-modus, er ikke X-FAN tilgjengelig.
26	ION-FILTER	Trykk på knappen for å aktivere eller deaktivere bruk av helsefilteret.
27	TIMER ON	Trykk på knappen for å bruke tidsurfunksjonen til å slå på enheten. Hvis TIMER ON blinker, trykker du på UP eller DOWN for å stille klokken. Hold knappen inne i to sekunder for å akselerere prosessen. Trykk på knappen for å stille inn tidsuret. Standardinnstilling: 08:00 (12-timers modus). Trykk på knappen igjen for å avbryte tidsurfunksjonen.
28	TIMER OFF	Trykk på knappen for å bruke tidsurfunksjonen til å slå av enheten. Hvis TIMER OFF blinker, trykker du på UP eller DOWN for å stille klokken. Hold knappen inne i to sekunder for å akselerere prosessen. Trykk på knappen for å stille inn tidsuret. Standardinnstilling: 17:00:00 (12-timers modus). Trykk på knappen igjen for å avbryte tidsurfunksjonen.
29	SWING-V	Trykk på knappen for å aktivere eller deaktivere den vertikale svingfunksjonen.
30	SWING-H	Trykk på knappen for å aktivere eller deaktivere den horisontale svingfunksjonen.
31	I FEEL	Trykk på knappen for å aktivere eller deaktivere I FEEL-funksjonen. Hvis I FEEL-funksjonen er aktivert, vil I FEEL-symbolet vises.
		Hvis I FEEL-symbolet er aktivert, vil fjernkontrollen sende omgivelsestemperaturen til hovedenheten hvert 10. minutt eller når du trykker på en av knappene.
32	QUIET	Trykk på knappen for å aktivere eller deaktivere QUIET-funksjonen. Hvis QUIET-funksjonen er aktivert, fungerer innendørsviften på ultralav hastighet, slik at innendørsstøyen er lav.
33	SLEEP	Trykk på knappen for å velge (SLEEP 1, SLEEP 2, SLEEP 3 eller SLEEP CANCEL). Standardinnstilling: SLEEP CANCEL.
	SLEEP 1	I COOL- og DRY-modus:

	Dvalestatus etter 1 times drift: Temperaturen vil øke med 1 °C.
	Dvalestatus etter 2 times drift: Temperaturen vil øke med 2 °C.
	Etter denne tiden vil enheten fortsette å bruke den nye temperaturen.
	I HEAT-modus:
	Dvalestatus etter 1 times drift: Temperaturen vil reduseres med 1 °C.
	Dvalestatus etter 2 times drift: Temperaturen vil reduseres med 2 °C.
	Etter denne tiden vil enheten fortsette å bruke den nye temperaturen.
SLEEP 2	I COOL-modus:
	Hvis du stiller inn en temperatur på 16-23 °C, vil temperaturen øke med 1 °C hver time. Etter 3 °C vil temperaturen bli opprettholdt. Etter 7 timer vil temperaturen falle med 1 °C. Etter denne tiden vil enheten fortsette å bruke den nye temperaturen.
	Hvis du stiller inn en temperatur på 24-27 °C, vil temperaturen øke med 1 °C hver time. Etter 2 °C vil temperaturen bli opprettholdt. Etter 7 timer vil temperaturen falle med 1 °C. Etter denne tiden vil enheten fortsette å bruke den nye temperaturen.
	Hvis du stiller inn en temperatur på 28-29 °C, vil temperaturen øke med 1 °C hver time. Etter 1 °C vil temperaturen bli opprettholdt. Etter 7 timer vil temperaturen falle med 1 °C. Etter denne tiden vil enheten fortsette å bruke den nye temperaturen.
	Hvis du stiller inn en temperatur på 30 °C, vil temperaturen øke med 1 °C etter 7 timer. Etter denne tiden vil enheten fortsette å bruke den nye temperaturen.
	I HEAT-modus:
	Hvis du stiller inn en temperatur på 16 °C, vil enheten operere ved denne temperaturen.
	Hvis du stiller inn en temperatur på 17-20 °C, vil temperaturen reduseres med 1 °C hver time. Etter 1 °C vil temperaturen bli opprettholdt.
	Hvis du stiller inn en temperatur på 21-27 °C, vil temperaturen reduseres med 1 °C hver time. Etter 2 °C vil temperaturen bli opprettholdt.
	Hvis du stiller inn en temperatur på 28-30 °C, vil temperaturen reduseres med 1 °C hver time. Etter 3 °C vil temperaturen bli opprettholdt.

SLEEP 3	Brukerdefinert atferdsmodus. Tiden på fjernkontrollen viser "1hour". Temperaturen som vil brukes etter 1 time vil blinke.
	Trykk på knappene UP og DOWN for å stille inn ønsket temperatur. Trykk på TURBO-knappen igjen for å bekrefte.
	Verdien "1hour" vil øke til verdien "2hours", "3hours" eller "8hours". I hvert trinn blinker den tilhørende temperaturen.
	Gjenta operasjonen ovenfor (2 3) for trinnene "2hours", "3hours" og "8hours".
	Sleep 3: Viser innstilte temperaturer: Velg SLEEP 3 uten å endre temperatur. Trykk på TURBO-knappen for å bekrefte.
	Merk: Innstillings- eller forespørselsprosedyren ovenfor opphører dersom ingen knapp trykkes på innen 10 sekunder. ON OFF-knappen, MODE-knappen og SLEEP-knappen avslutter også innstillings- eller forespørselsprosedyren.

## Generell drift

1. Koble enheten fra strømforsyningen.
2. Trykk på ON/OFF-knappen for å starte enheten.
3. Trykk på MODE-knappen for å angi driftsmodus.
4. Trykk på knappene UP og DOWN for å stille inn temperaturen. (Merk: Det er unødvendig å stille inn temperaturen i AUTO-modus.)
5. Trykk på FAN-knappen for å stille inn viftehastigheten.
6. Trykk på knappene SWING-H og SWING-V for å stille inn svingradius.

## Valgfri drift

1. Trykk på SLEEP-knappen for å aktivere eller deaktivere dvalemodus.
2. Trykk på knappene TIMER ON og TIMER OFF for å aktivere eller deaktivere tidsurfunksjonen.
3. Trykk på LIGHT-knappen for å slå displayet til innedelen på eller av.
4. Trykk på TURBO-knappen for å aktivere eller deaktivere turbofunksjonen.

## Spesialfunksjoner

### AUTO-modus

Temperaturen vil ikke vises. Enheten stiller automatisk inn driftsmodus.

### Låse/låse opp fjernkontrollen

Trykk samtidig på SWING-V-knappen og ION-FILTER-knappen for å låse eller låse opp fjernkontrollen. Hvis fjernkontrollen er låst, vil LOCK-symbolet vises. Trykk på en knapp for å få LOCK-symbolet til å blinke tre ganger og lås opp fjernkontrollen. Hvis fjernkontrollen er låst opp, vil ikke LOCK-symbolet vises.

Celsius (°C) ~ Fahrenheit (°F)

Hvis enheten er slått av, trykker du samtidig på SWING-H-knappen og ION-FILTER-knappen for å bytte mellom Celsius (°C) og Fahrenheit (°F).

### Energisparingsfunksjon

Trykk samtidig på ION-FILTER-knappen og CLOCK-knappen i COOL-modus for å aktivere eller deaktivere energisparingsfunksjonen. Displayet viser "SE".

### 8 °C oppvarmingsfunksjon

Trykk samtidig på ION-FILTER-knappen og CLOCK-knappen i HEAT-modus for å aktivere eller deaktivere 8 °C oppvarmingsfunksjonen. Displayet viser "8 °C" ("46 °F"). Enheten begynner å varme seg opp når temperaturen synker under 8 °C. Viftehastigheten vil være på AUTO og kan ikke endres.

## Bytte batterier

Fjernkontrollen bruker to 1,5 V AAA-batterier.

1. Åpne batteridekselet.
2. Ta ut de gamle batteriene.
3. Sett inn nye batterier. Sørg for at de positive (+) og negative (-) merkene på batteriene samsvarer med de positive (+) og negative (-) markeringene i batterirommet.
4. Sett på batteridekselet.



### FORSIKTIG

- Bruk alltid nye batterier av samme type. Ikke bruk gamle batterier eller forskjellige batterityper.
- Ta ut batteriene når fjernkontrollen ikke skal brukes i en lengre periode.

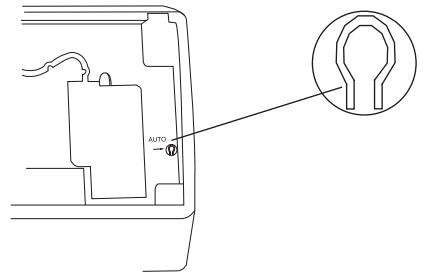
### MERK

- Bruk fjernkontrollen innenfor rekkevidden for sending og mottak.
- Bruk fjernkontrollen minst 1 m unna TV-apparater eller stereoanlegg.

- Rett fjernkontrollen direkte mot mottakeren på hovedenheten for å forbedre mottaket til hovedenheten.
- Hvis fjernkontrollen sender et signal, vil sendesymbolet blinke i 1 sekund. Du hører et lydsignal hvis hovedenheten mottar signalet.
- Hvis fjernkontrollen ikke fungerer som den skal, ta ut batteriene og sett dem inn igjen etter 30 sekunder. Hvis fjernkontrollen fortsatt ikke fungerer som normalt, må du bytte batterier.

## Nøddrift

Hvis fjernkontrollen ikke kan brukes, kan du bruke AUTO/STOP-knappen på hovedenheten. Enheten vil operere i AUTO-modus. Temperatur og viftehastighet kan ikke endres.



1. Trykk på AUTO/STOP-knappen for å slå på enheten. Enheten stiller automatisk inn driftsmodus.
2. Trykk på AUTO/STOP-knappen igjen for å slå av enheten.

Modus	Modell	Temperaturinnstilling	Viftehastighet
AUTO	Bare kjøling	25 °C (COOL, FAN)	AUTO
AUTO	Varmepumpe	25 °C (COOL, FAN)	AUTO
AUTO	Varmepumpe	20 °C (HEAT)	AUTO

# RENGJØRING OG VEDLIKEHOLD



## ADVARSEL

- Før rengjøring og vedlikehold må enheten kobles fra strømforsyningen.
- Ikke senk enheten ned i vann eller andre væsker. Hvis enheten befinner seg i vann eller en annen væske, må du ikke fjerne enheten med hendene. Koble umiddelbart enheten fra strømforsyningen. Hvis enheten har befunnet seg i vann eller en annen væske, må du ikke bruke enheten igjen.
- Ikke sprut vann på enheten, siden du kan få elektrisk støt.



## FORSIKTIG

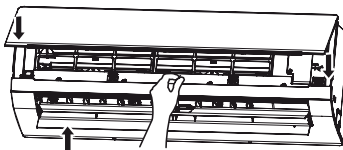
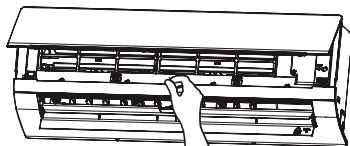
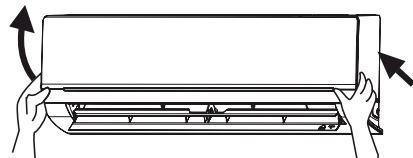
- Ikke bruk sterke væsker (f.eks. løsemidler, tynnere eller bensin) til å rengjøre enheten. Rengjør enheten med en myk, tørr klut eller en klut som er lett fuktet med vann eller rengjøringsmiddel.

## Rengjøring av frontpanelet

1. Ta av frontpanelet.
2. Rengjør frontpanelet med en klut som er lett fuktet med vann.
3. Sett på plass frontpanelet.

## Rengjøring av luftfilteret

Luftfilteret må rengjøres hver 3. måned.



## ADVARSEL

- Ikke berør metalldelene inne i innedelen for å unngå personskade.



## FORSIKTIG

- Ikke bruk vann over 45 °C til å rense luftfilteret, siden det kan medføre deformering eller misfarging.
1. Åpne frontpanelet.
  2. Ta ut luftfilteret.
  3. Fjern støv fra luftfilteret med en støvsuger.
  4. Hvis luftfilteret er skittent, rengjør det med varmt vann og et skånsomt vaskemiddel. La luftfilteret tørke naturlig på et kjølig, mørkt sted.
  5. Sett luftfilteret tilbake på plass.
  6. Lukk frontpanelet.

## Kontroller før bruk

- Kontroller at ingenting blokkerer luftinntaket eller -utløpet.
- Kontroller at stativet til utedelen ikke er skadet. Hvis stativet er skadet, ta kontakt med en kvalifisert reparatør.
- Kontroller at batteriene er satt inn i fjernkontrollen.

## Vedlikehold etter bruk

- Koble enheten fra strømforsyningen.
- Rengjør filtrene og kabinettene til innedelen og utedelen.
- Fjern eventuelle hindringer fra utedelen.

## FEILSØKING

**FORSIKTIG**

- Enheten kan ikke repareres av brukeren. Ikke forsøk å reparere enheten selv for å unngå elektrisk

støt eller brann. La et autorisert servicesenter reparere enheten. Følgende kontroller kan spare deg for tid og penger før du kontakter et autorisert servicesenter.

<b>Problem</b>	<b>Løsning</b>
Enheten fungerer ikke.	Enheten virker ikke hvis den slås på umiddelbart etter at du har slått den av. Etter at du har skrudd av enheten, må du vente i cirka 3 minutter før du slår den på igjen.
Enheten lukter.	Noe lukt kan komme fra innedelen som følge av romlukter (møbler, tobakk osv.) som har blitt sugd inn i enheten. Hvis lukten vedvarer, kan du kontakte et autorisert servicesenter.
Vannstøy.	Lyden av vann er kjølemiddelet som beveger seg inne i enheten.
Det kommer ut damp i COOL-modus.	Under kjølingen kan det avgis noe damp fra innedelen på grunn av høy romtemperatur og fuktighet. Den forsvinner hvis romtemperaturen og luftfuktigheten går ned.
Knakelyd.	Knakelyden er lyden av friksjon som forårsakes av ekspansjon og/eller kontraksjon av frontpanelet eller andre deler på grunn av temperaturendring.
Enheten kan ikke startes.	Er enheten koblet fra strømforsyningen?
	Er støpselet løst?
	Har sikringen blitt utløst?
	Er spenningen høyere eller lavere? (testet av profesjonelle)
	Brukes tidsurfunksjonen riktig?
Kjøle-/varme-effekten er dårlig.	Er temperaturen riktig innstilt?
	Er luftinntaket eller -utløpet blokkert?
	Er luftfilteret skittent?
	Er vinduet eller døren åpen?
	Har du satt viftehastigheten lavt?
	Er det varmekilder i rommet?
Fjernkontrollen virker ikke.	Kan det være magnetisk eller elektrisk interferens i nærheten av enheten? Hvis ja, ta ut og sett inn batteriene igjen.

	Er fjernkontrollen innenfor rekkevidden for sending og mottak uten hindringer imellom? Bytt batteriene om nødvendig.
	Er fjernkontrollen skadet?
Vannlekkasje i innedelen.	Rommets luftfuktighet er høy. Det samler seg kondensvann. Avløpsslangen er løs.
Vannlekkasje i utedelen.	I COOL-modus genereres vannkondensat rundt rørene og tilkoblingsleddene. I HEAT-modus drypper vannet på varmeveksleren ut. I avrimingsmodus renner smeltevannet ut.
Støy fra innedelen.	Støy avgis når viften eller kompressorleiet slås på eller av. Hvis avrimingsmodus startes eller stoppes, vil du høre lyden av kjølemiddel som strømmer i motsatt retning.
Innedelen kan ikke blåse ut luft.	I HEAT-modus blir luftstrømmen stoppet innen 2 minutter for å stoppe kald luft når temperaturen på den innendørs varmeveksleren er lav. I HEAT-modus vil det dannes frost på den utendørs varmeveksleren når utetemperaturen er lav eller den utendørs luftfuktigheten er høy. Enheten vil automatisk tine, og innedelen stopper å blåse luft i 3-12 minutter. I DRY-modus vil innendørsviften stoppe med å blåse luft i 3-12 minutter for å unngå at kondensvann fordampes igjen. I avrimingsmodus kan vann eller damp avgis.
Fuktighet på luftuttaket.	Hvis enheten opererer ved høy fuktighet over lengre tid, vil det dannes fuktighet på grillen til luftutløpet.
C5: Feil på koblingskontakt.	Sjekk om koblingskontakten får riktig kontakt. Erstatt det gamle krets kortet med et nytt om nødvendig.
F1: Feil på sensoren for innendørs omgivelsestemperatur.	Sjekk om sensoren for innendørs romtemperatur er riktig tilkoblet.
F2: Feil på sensoren for fordampningstemperatur.	Sjekk om sensoren for fordampningstemperatur er riktig tilkoblet.

Det kommer kraftige lyder under drift.	Stopp enheten øyeblikkelig, koble den fra strømforsyningen og kontakt et autorisert servicesenter.
Kraftig lukt under drift.	Stopp enheten øyeblikkelig, koble den fra strømforsyningen og kontakt et autorisert servicesenter.
Det lekker vann fra innedelen.	Stopp enheten øyeblikkelig, koble den fra strømforsyningen og kontakt et autorisert servicesenter.
Luftbryteren eller beskyttelsesbryteren bryter ofte strømforsyningen.	Stopp enheten øyeblikkelig, koble den fra strømforsyningen og kontakt et autorisert servicesenter.
Vann eller annen væske søles på enheten.	Stopp enheten øyeblikkelig, koble den fra strømforsyningen og kontakt et autorisert servicesenter.
Strømledningen og støpselet er overopphetet.	Stopp enheten øyeblikkelig, koble den fra strømforsyningen og kontakt et autorisert servicesenter.

## DRIFTSTIPS

### Kjøle drift

Klimaanlegg absorberer varme innenfra og overfører varmen til utedelen for å redusere romtemperaturen. Kjølekapasiteten vil øke eller minke i henhold til utetemperaturen.

#### Antifrys-funksjon

Hvis enheten er i COOL-modus og omgivelsestemperaturen er lav, vil det dannes frost på varmeveksleren til innedelen. Hvis temperaturen på varmeveksleren synker under null, vil kompressoren stoppe for å beskytte enheten.

### Varmedrift

Klimaanlegg absorberer varme utenfra og overfører varmen til innedelen for å øke romtemperaturen.

Varmekapasiteten vil øke eller minke i henhold til utetemperaturen.

#### Avriming

- Hvis utetemperaturen er lav og luftfuktigheten utendørs er høy, vil det dannes frost på utedelen ved langvarig bruk. Varmekapasiteten reduseres. Enheten kan stoppe under avriming.
- Under avriming vil viftemotorene til innedelen og utedelen stoppe driften.
- Under avriming kan den innendørs indikatoren blinke og utedelen avgir damp. Dette er en normal funksjon for å fjerne rim fra varmeveksleren på utedelen.
- Etter avriming vil oppvarmingen fortsette automatisk.

## Anti-kaldluft-funksjon

I HEAT-modus vil ikke innendørsviften gå for å hindre at kald luft blåses ut hvis ikke den innendørs varmeveksleren når en viss temperatur i en av følgende situasjoner:

- når oppvarmingen starter;
- når avriming er ferdig;
- ved oppvarming ved lav temperatur.

## Lett bris

Innedelen kan blåse en lett bris og det horisontale spjeldet rotere til en bestemt posisjon i en av følgende situasjoner:

	Innendørs (°C)	Utendørs (°C)
Maks. kjøling	32	48
Min. kjøling	21	-15
Maks. oppvarming	27	24
Min. oppvarming	20	-20

## Tips til energisparing

- Ikke bruk mer varme eller kulde enn du trenger. Du sparer energi ved å stille inn temperaturen på et moderat nivå.
- Dekk til vinduene med persiener eller gardiner. Blokkering av sollys og uteluft er gunstig ved kjøling.

- I HEAT-modus starter ikke kompressoren etter at du har slått på enheten.
- I HEAT-modus når temperaturen den innstilte verdien og kompressoren har stoppet i 1 minutt.

## Temperaturområde for drift

Driftstemperaturområdet for enheter med bare kjøling er -15 til 48 °C. Driftstemperaturområdet for varmepumper er -20 til +24 °C.

- Luftfiltre bør rengjøres annenhver uke. Tette luftfiltre fører til ineffektiv drift og energisløsing.

## Tips for relativ fuktighet

- Hvis enheten brukes i et område med en relativ fuktighet på mer enn 80 % over lengre tid, kan kondensat dryppe fra innedelen.

## MONTERING

### Monteringsmerknader

- Hvis du ikke følger instruksjonene, kan det føre til personskaade og/eller skade på eiendom.
- Hvis du ikke følger instruksjonene, kan enheten falle ned.
- La et autorisert servicesenter montere enheten.
- Monter enheten i samsvar med lokale og statlige reguleringer og forskrifter.
- Enheten må monteres i henhold til instruksjonene i denne håndboken.

- Kontakt et autorisert servicesenter før du flytter en enhet som allerede er montert.
- Koble fra strømmen før du arbeider på enheten.
- Strømkabelen må bare repareres av et autorisert servicesenter eller en kvalifisert reparatør for enheter med Y-kobling.
- Støpselet må være tilgjengelig etter montering.
- Hold tilstrekkelig avstand mellom koblingskabelen og

kjølemiddelkretsen, for kretsens driftstemperatur er høy.

- Rørene som forbinder inne- og utedelen er ikke inkludert i enheten.
- Utedelen får strøm fra innedelen.

## Monteringssted

- Ikke monter enheten i områder med:
  - sterke varmekilder;
  - damp, avgasser eller brennbare gasser;
  - oljetilsøling;
  - høyfrekvent elektromagnetisk utstyr (f.eks. sveiseutstyr eller medisinsk utstyr);
  - høyt saltinnhold (f.eks. nær kystområder);
  - svovelgass (f.eks. varmtvannskilder, geysirer);
  - dårlig luftkvalitet.

## Innedel

- Oppretthold alle minimum installasjonsavstander som er angitt i dette dokumentet. Ikke blokker luftinntaket eller luftutløpet.
- Ikke bruk enheten på steder med ekstremt høy luftfuktighet.
- Monter innedelen utilgjengelig for barn.
- Veggene må være sterkt nok til å tåle vekten og vibrasjonen til enheten.
- Monter innedelen minst 230 cm over gulvet.
- La det være tilstrekkelig plass for rengjøring og vedlikehold.
- Luftfilteret skal være tilgjengelig.
- La det være minst 1 m avstand mellom enheten og andre elektriske produkter.
- Monter innedelen på et sted der kondensvann enkelt kan tappes av.
- Monter på et sted som er beskyttet mot direkte sollys.

## Utedel

- Oppretthold alle minimum installasjonsavstander som er angitt i dette dokumentet.
- Ikke blokker luftinntaket eller luftutløpet.
- Monter utedelen utilgjengelig for barn.
- Monter utedelen på et sted med tilstrekkelig ventilasjon.
- Monter utedelen på et sted der støyen og luftstrømmen ikke vil forstyrre naboer eller dyr.
- Monter utedelen på et tørt sted.
- Monter utedelen på et sted som ikke er utsatt for direkte sollys eller sterk vind.
- Monter enheten på et sted som tåler vekten og vibrasjonen til enheten.
- Høydeforskjellen mellom innedelen og utedelen må være mindre enn 5 meter.
- Lengden på koblingsrørene må være kortere enn 10 meter.
- La det være tilstrekkelig plass for rengjøring og vedlikehold.
- Utedelen får strøm fra innedelen.

## Sikkerhetsregler for elektriske produkter

- Bruk strømledningen som følger med produktet.
- Enheten må være jordet.
- Installer jordfeilbryter for å beskytte mot personskade i tilfelle strømløsløst.
- Bruk en hovedbryter for alle poler med en kontaktseparasjon på minst 3 mm i alle poler i fast kabling. For modeller med støpsel, sørg for at det er innen rekkevidde etter montering.
- Montering må være i overensstemmelse med gjeldende forskrifter og andre relevante lokale forskrifter.
- Enheten må monteres i samsvar med nasjonale installasjonsforskrifter.
- Strømkabelen må ikke utsettes for kraft/strekking.

- Avstanden mellom enheten og varmekilder er minst 1,5 meter.
- Bruk en luftbryter. Luftbryteren må ha funksjoner for magnetisk utløsning

og varmeutløsning for å unngå kortslutning og overbelastning. Den egnede kapasiteten er angitt i tabellen nedenfor.

Klimaanlegg (Btu)	Luftbryterens kapasitet
09-12K	16A

### MERK

- Kontroller at strømledningen, nullelederen og jordledningen i stikkkontakten er riktig tilkoblet.
- Mangelfull eller feil elektrisk tilkobling kan føre til elektriske støt eller brann.

#### Jordingskrav

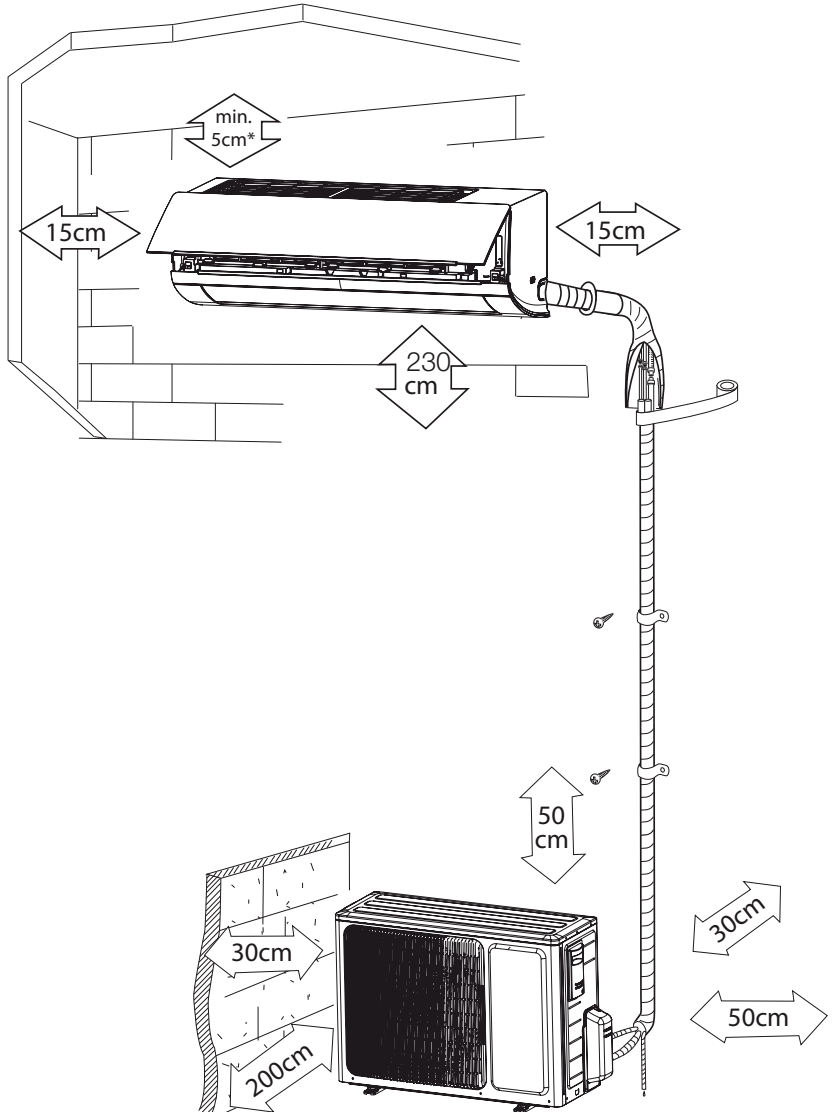
- Enheten er et elektrisk produkt av type I. Kontroller at enheten er riktig jordet.
- Den gule/grønne ledningen er jordledningen, som ikke kan benyttes

til andre formål. Feil jording kan føre til elektrisk støt.

- Jordingsmotstanden må overholde lokale forskrifter.
- Strømnettet må ha en pålitelig jordingsterminal. Ikke koble jordledningen til vannrør, gassrør, avløpsrør eller andre potensielt usikre steder.
- Sikringer må samsvare med foreskrevet modell og rangering, trykket på sikringsdekselet eller kretskortet.

## Monteringstegning

Dimensjonene som er nødvendige for riktig montering av enheten inkluderer de minimum tillatte avstandene til tilstøtende deler.



\* Anbefalt avstand for maksimal luftstrøm er  $15\text{cm}$ .

## Innedel

Montering av festeplaten

1. Horizontal montering av festeplaten.
2. Monter festeplaten til veggen med skruer. Pass på at festeplaten er montert godt nok til å støtte cirka 60 kg. Vekten må være jevnt fordelt på hver skrue.

Bor rørhull

1. Skrå rørhullet (Ø 55 mm) på veggen litt nedover mot utendørssiden.
2. Sett rørhullets mansjett inn i hullet for å hindre skade på koblingsrør og ledninger.

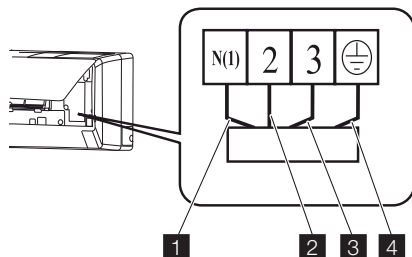
Montering av avløpsslangen

1. Koble avløpsslangen til avløpsrøret på innedelen. Bind koblingen med et gummibelte.
2. Plasser avløpsslangen i isolasjonsrøret.
3. Pakk et bredt gummibelte rundt isolasjonsrøret for å hindre at det beveger på seg. Skrå avløpsslangen litt nedover for å få jevn drenering av kondensvann.

### MERK

- Isolasjonsrøret må kobles godt til hylsen utenfor avløpsrøret. Avløpet må være noe skråstilt nedover uten forvringninger, utbølginger eller svingninger. Ikke sett utløpet av avløpsslangen i vann, for da kan slangen fryse.

Elektriske ledninger, innedel:



Nr.	Farge
1	Blå (nøytral)
2	Svart
3	Brun
4	Gul (jording)



### FORSIKTIG

- Kontroller kablingen for å sørge for at det ikke er noen kortslutning. Feil kabling kan forårsake feil.
1. Åpne frontpanelet.
  2. Fjern ledningsdekslet.
  3. Fest strømledningen til klemmebrettet (som vist).
  4. Før ledningen gjennom hullet på baksiden av innedelen.
  5. Sett på plass strekkavlasting og ledningsdeksel.
  6. Lukk frontpanelet.

### MERK

- De elektriske ledningene mellom inne- og utedelen skal tilkobles av en autorisert elektriker.
- Stram terminalskruene skikkelig.
- Etter stramming av skruene, trekk litt i ledningen for å bekrefte at den sitter godt fast.
- Kontroller at de elektriske koblingene er riktig jordnet for å unngå elektrisk støt.

- Sørg for at ledningsforbindelsene er sikret og at dekslene er korrekt montert for å hindre elektrisk støt.

#### Montere innedelen

Rørene kan utløpe fra høyre, bak til høyre, venstre eller bak til venstre.

1. Når du legger rørene og ledningene fra venstre eller høyre for innedelen, skjær av de nødvendige utløpene fra chassiset.
2. Fjern rørene fra kabinettet.
3. Bruk tapen til å feste sammen rørene, strømledningene og avløpsslangen.
4. Trekk rørene, strømledningene og avløpsslangen gjennom rørhullet.
5. Heng festesporene på innedelen godt fast på de øverste krokene på festeplaten.
6. Monteringsstedet må være minst 230 cm over gulvet.

#### Montering av tilkoplingsrøret

1. Midten av rørkrage må være på høyde med tilhørende ventil.
2. Skru på den koniske mutteren for hånd og stram den til med en fastnøkkel og momentnøkkel. Se i følgende tabell.

Sekskantmutterens diameter (mm)	Tiltrekkingsmoment (Nm)
Ø 6	15-20
Ø 9,52	30-40
Ø 12	45-55
Ø 16	60-65
Ø 19	70-75

#### MERK

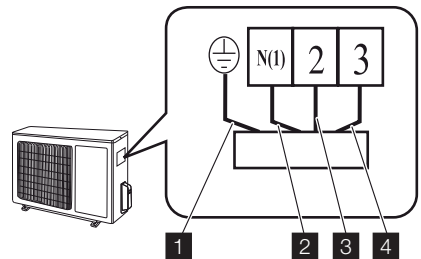
- Koble først tilkoplingsrøret til innedelen og deretter til utedelen. Vær forsiktig med å bøye rørene. Ikke skad tilkoplingsrøret. Stram

koblingsmutteren godt for å unngå lekkasje.

- Rørene som forbinder inne- og utedelen er ikke inkludert i enheten.
- I tilfelle tilkoplingsrørenes lengde er over 7,5 meter, fyll enheten med ekstra kjølemiddel. Tilsett 20 g/m med R410A for modeller med en kapasitet på mindre enn 6500 W. Tilsett 50 g/m for de andre modellene.

#### Utedel

Elektriske ledninger



Nr.	Farge
1	Gul (jording)
2	Blå (nøytral)
3	Svart
4	Brun



#### FORSIKTIG

- Kontroller kablingen for å sørge for at det ikke er noen kortslutning. Feil kabling kan forårsake feil.
1. Fjern håndtaket (x2) på høyre sideplate av utedelen.
  2. Fjern forankringen til strømledningen.
  3. Koble strømledningen til klemmebrettet.
  4. Lås posisjonen til ledningen med ledningsklemmer.
  5. Kontroller for feil tilkoblinger.
  6. Sett på plass håndtaket.

**MERK**

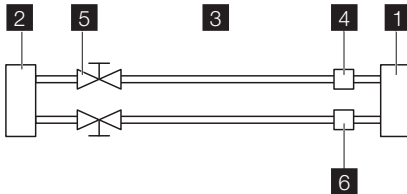
- Sjekk at det er plass mellom tilkoblingen og låseposisjonene.

**FORSIKTIG**

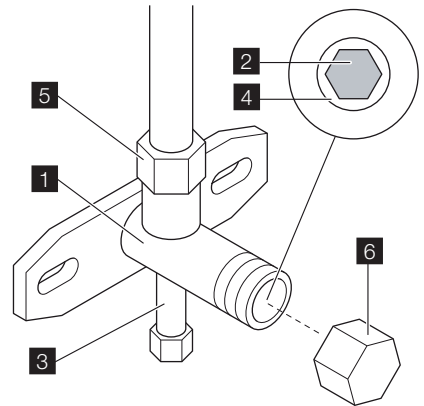
- Åpne stammen av ventilen til den treffer mot stopperen. Ikke prøv å åpne den lenger. Lukk stammen til ventilen med et spesialverktøy. Lukk hetten til ventilen med en skiftenøkkel.

**MERK**

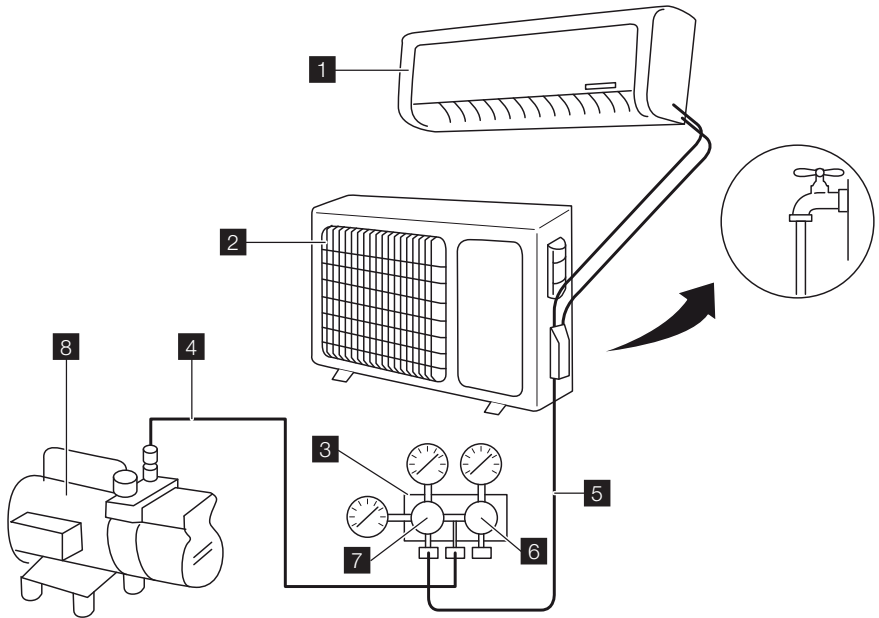
Utedelen har to utløp: Det lave på siden og det høye på siden. Bare det lave på siden inneholder en ladeport. Det lave sideutløpet er vist nedenfor.



- 1 Inneidel
- 2 Utedel
- 3 Kjølemiddel
- 4 Gass
- 5 Ventil
- 6 Koblingsmutter



- 1 Ventilhus
- 2 Ventilstamme
- 3 Ladeport
- 4 Stopper
- 5 Konisk mutter
- 6 Hette



- 1 Ventilhus
- 2 Ventilstamme
- 3 Ladeport
- 4 Stopper
- 5 Konisk mutter
- 6 Hette

seg og trykkmåleren indikerer 0 i stedet for minus).

#### Bruk av vakuumpumpen

1. Stram de koniske mutterne ved tilkoblingspunkt A, B, C og D.
2. Koble vakuumslangen mellom ladeporten og manifolden.
3. Koble den andre trykkslangen mellom manifolden og vakuumpumpen.
4. Åpne manifoldventilens håndtak Lo helt.
5. Betjen vakuumpumpen for å tømme den.
6. Løsne den koniske mutteren til Lo-ventilen på gassrørsiden.
7. Kontroller om det kommer luft inn (støyen til vakuumpumpen endrer seg og trykkmåleren indikerer 0 i stedet for minus).
8. Stram den koniske mutteren.
9. Kjør evakuering i 15 minutter eller mer og sjekk at måleren indikerer  $-7,6 \times 10^5 \mu\text{mHg}$  ( $-1 \times 10^5 \text{ Pa}$ ) ( $-0,7 \text{ Bar}$ ).
10. Lukk Lo-håndtaket til manifoldventilen helt og stopp driften av vakuumpumpen.
11. Skru stammen av ventil B cirka  $45^\circ$  mot klokken i 6-7 sekunder etter at gassen kommer ut, og stram deretter den koniske mutteren igjen.
12. Kontroller at trykket på trykkmåleren er litt høyere enn det atmosfæriske trykket. Dette er for å kontrollere om kjølemiddelet renner riktig gjennom rørene.
13. Fjern vakuumslangen.
14. Sett på hetten på ladeporten.
15. Åpne ventilstamme B og A helt.

16. Stram hetten til ventilene godt.  
Utendørs kondensatdrenering (bare varmpumpe)  
Under varmedrift må kondensvann og smeltevann tappes via avløpsslangen.

1. Monter den utendørs avløpskoblingen i et Ø 25 mm hull på bunnplaten.
2. Fest avløpsslangen til koblingen, slik at vannet i utedelen kan dreneres. Huldiameteren 25 må tettes.

## Kontroller etter montering

Elementene du må sjekke	Mulig feilfunksjon
Er enheten montert godt nok ?	Enheden kan falle ned, riste eller avgi støy.
Har du testet for lekkasje av kjølemiddel?	Utilstrekkelig avkjøling eller oppvarming.
Er varmeisolasjonen tilstrekkelig?	Kondens.
Dreneres vannet tilfredsstillende?	Vannlekkasje.
Er spenningen i samsvar med den nominelle spenningen på navneplaten?	Elektrisk feil eller skade på enheten.
Er det elektriske anlegget eller rørtilkoblingene installert riktig og sikkert?	Elektriske feil eller skader på delene.
Har enheten blitt ordentlig jodet?	Elektrisk lekkasje.
Er strømledningen som spesifisert?	Elektrisk feil eller skade på deler.
Er luftinntaket eller -utløpet blokkert?	Utilstrekkelig avkjøling eller oppvarming.
Er lengden på tilkoblingsrørene og kjølemiddelets kapasitet som spesifisert	Unøyaktig kjølemiddelkapasitet.
Er lengden på tilkoblingsrørene og kjølemiddelets kapasitet som spesifisert	Unøyaktig kjølemiddelkapasitet.

## Driftstest

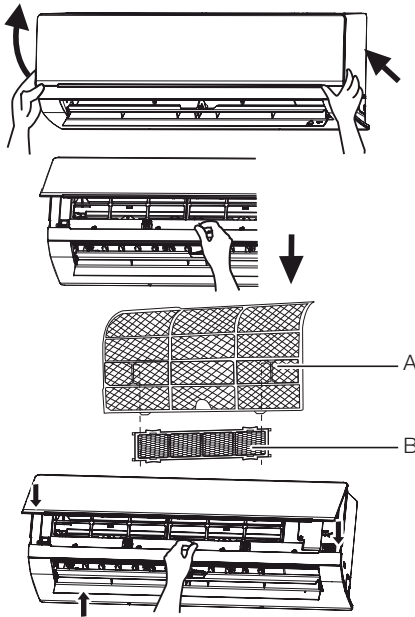
Test før bruk

- Ikke koble enheten til strømforsyningen før monteringen er fullført.
- De elektriske ledningene må tilkobles riktig og sikkert.
- Stengeventilene til koblingsrørene må være åpnet. Se avsnittet "Vakuu- og lekkasjetest".
- Enheten må rengjøres grundig.

Driftstestmetode

1. Koble enheten til strømforsyningen.
2. Trykk på ON OFF-knappen for å slå på enheten.
3. Trykk på MODE-knappen for å angi driftsmodus og sjekk om funksjonen er som forventet.

# HELSEFILTER



## Montering

1. Åpne frontpanelet.
2. Ta ut luftfilteret (A).
3. Fest helsefilteret (B) til luftfilteret (A).
4. Sett luftfilteret (A) tilbake på plass.
5. Lukk frontpanelet.

## Rengjøring og vedlikehold

1. Ta ut helsefilteret.
2. Fjern støv fra helsefilteret med en støvsuger.
3. Hvis helsefilteret er skittent, rengjør det med varmt vann og et skånsomt vaskemiddel. La helsefilteret tørke naturlig på et kjølig, mørkt sted.
4. Sett på plass helsefilteret igjen.

## Vedlikeholdsintervall

Vedlikeholdsintervallet for helsefilteret er omtrent ett år under normale forhold. Helsefilteret må skiftes ut når overflaten blir svart (grønn).

# SISÄLLYSLUETTELO

Turvallisuusohjeet .....	93
Kuvaus.....	94
Kaukosäädin .....	94
Puhdistaminen ja kunnossapito .....	100
Vianmääritys .....	101
Käyttöä koskevia neuvoja.....	103
Asennus.....	104
Terveyssuodatin .....	113

## WE'RE THINKING OF YOU

Kiitämme teitä Electrolux-laitteen hankinnasta. Olette valinneet tuotteen, joka perustuu vuosikymmenien aikana saatuun kokemukseen ja innovaatioon. Kekseliäs ja tyylikäs laite, joka on suunniteltu teitä ajatellen. Laitetta käyttäessänne voitte olla aina varma erinomaisista tuloksista.

Tervetuloa Electroluxiin.

### Vieraile verkkosivullamme, joka sisältää:



Saadaksesi käyttöön liittyviä neuvoja, esitteitä, vianmääritysohjeita ja huolto-ohjeita:

**[www.electrolux.com](http://www.electrolux.com)**



Tuotteen rekisteröimiseksi parempaa huoltoa varten:

**[www.electrolux.com/productregistration](http://www.electrolux.com/productregistration)**



Ostaaksesi laitteesi lisävarusteita, kulutusosia ja alkuperäisiä varaosia:

**[www.electrolux.com/shop](http://www.electrolux.com/shop)**

## ASIAKASPALVELU JA HUOLTO

Suosittellemme alkuperäisten varaosien käyttöä.

Pidä seuraavat tiedot saatavilla ottaessasi yhteyttä valtuutettuun huoltoliikkeeseen.

Kyseiset tiedot löytyvät laitteen arvokilvestä. Malli, tuotenumero, sarjanumero.



Varoitukset/huomautukset ja turvallisuusohjeet



Yleisohjeet ja vinkit



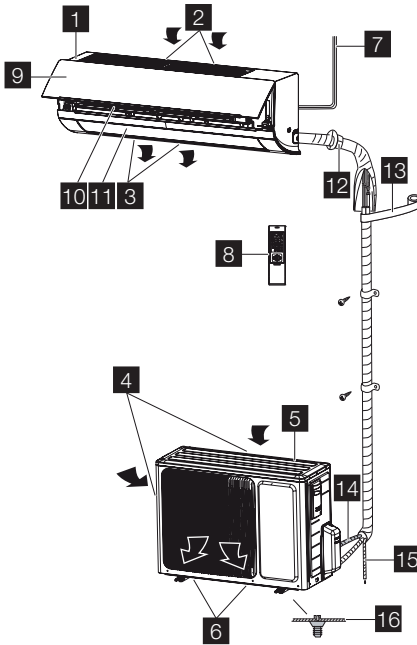
Ympäristönsuojeluohjeita

Oikeus muutoksiin pidätetään ilman erillistä ilmoitusta.

# TURVALLISUUSOHJEET

- Lue ohjekirja huolellisesti ennen käyttöä.
- Säilytä ohjekirja tulevia käyttökertoja varten.
- Tämä laite ei ole tarkoitettu fyysisesti tai sensorisesti rajoitteisten tai muulla tavalla taitamattomien tai kokemattomien henkilöiden (ei myöskään lasten) käyttöön, ellei heidän turvallisuudestaan vastuussa oleva henkilö valvo ja opasta heitä laitteen käytössä.
- Pikkulapsia on valvottava, etteivät he pääsisi laitteen lähelle.
- Jos poikkeavuuksia (esim. epämiellyttävää palaneen hajua) esiintyy, irrota laite sähköverkosta ja ota yhteyttä valtuutettuun huoltopalveluun. Jos poikkeavuudet toistuvat, ilmastointilaitte voi olla vaurioitunut tai se voi aiheuttaa jopa sähköisku- tai tulipalovaaran.
- Ennen puhdistus- tai huoltotoimenpiteitä katkaise virta laitteesta ja irrota laite pistorasiasta. Jos laite on liitetty sulakekoteloon, poista sulake.
- Älä vaurioita virtajohtoa tai signaalin hallintajohtoa. Jos virtajohto tai signaalin hallintajohto vaurioituu, anna pätevän sähköasentajan vaihtaa se.
- Älä käytä määrittämätöntä virtajohtoa sähköisku- ja tulipalovaaran välttämiseksi.
- Laite tulee asentaa paikallisia sähköturvallisuusmääräyksiä noudattaen. Virheellinen johdotus voi johtaa kaapelin, pistokkeen tai pistorasian ylikuumenemiseen tai syttymiseen. Älä kytke laitetta usein päälle ja pois päältä.
- Jos jännite on liian korkea, vastukset vaurioituvat helposti. Jos jännite on liian matala, kompressorit tärisee voimakkaasti ja jäähdytysjärjestelmä tai kompressorit vaurioituvat. Sähköosat eivät toimi.
- Varmista, että laite on maadoitettu oikein sähköiskun välttämiseksi.
- Älä yritä korjata laitetta itse sähköiskun ja tulipalovaaran välttämiseksi. Vie laite valtuutetun huoltopalvelun korjattavaksi.
- Pidä syttyvät materiaalit vähintään 1 m:n päässä laitteesta tulipalo- tai räjähdysvaaran välttämiseksi.
- Asenna ulkoyksikkö hyvin henkilövahinkojen välttämiseksi.
- Älä seiso ulkoyksikön päällä. Älä aseta painavia esineitä ulkoyksikön päälle.
- Älä tuki ilmanotto- tai ilmanpoistoaukkoja.
- Älä roiskuta vettä laitteeseen sähköiskun välttämiseksi.
- Älä käytä laitetta märillä käsillä sähköiskuvaaran välttämiseksi.
- Älä aseta käsiä tai esineitä ilmanotto- tai ilmanpoistoaukosta sisään.
- Älä altista eläimiä tai kasveja suoraan ilmavirtaukselle.
- Älä altista itseäsi suoraan kylmälle ilmalle pitkään.
- Älä käytä laitetta mihinkään muuhun tarkoitukseen, kuten ruokien säilyttämiseen tai vaatteiden kuivaamiseen.
- Valitse sopivin lämpötila energian säästämiseksi.
- Älä pidä ikkunoita ja ovia auki pitkään käytön aikana.
- Voit muuttaa ilmavirtauksen suuntaa säätämällä vaaka- ja pystysuora ilmavirtauksen suuntaa kaukosäätimellä.
- Älä hävitä tätä laitetta tavallisen sekajätteen mukana. Hävitä kyseiset jätteet viemällä ne erilliskeräykseen.

# KUVAUS



- 1 Sisäyksikkö
- 2 Ilmantuloaukko (sisäyksikkö)
- 3 Ilmanpoistoaukko (sisäyksikkö)
- 4 Ulkoyksikkö
- 5 Ilmantuloaukko (ulkoyksikkö)
- 6 Ilmanpoistoaukko (ulkoyksikkö)
- 7 Virtajohto
- 8 Kaukosäädin
- 9 Etupaneeli
- 10 Suodatin
- 11 Vaakasuuuntainen säleikkö
- 12 Seinäputki
- 13 Kiinnitysteippi
- 14 Liitosputki
- 15 Tyhjennysletku
- 16 Tyhjennysaukon liitin

# KAUKOSÄÄTÖ

Kaukosäädintä voidaan käyttää eri tiloissa. Jotkin kaukosäätimen toiminnoista eivät välttämättä ole käytettävissä mallista riippuen.

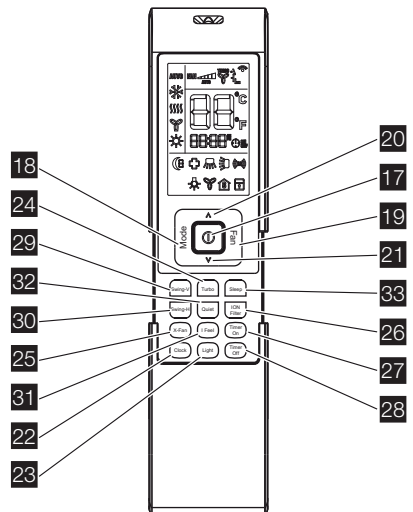


## HUOMIO

- Älä pudota tai heitä kaukosäädintä.
- Älä kaada nesteitä kaukosäätimen päälle.
- Älä altista kaukosäädintä suoralle auringonvalolle.
- Älä aseta kaukosäädintä erittäin kuumiin paikkoihin.

## HUOMAA

- Varmista, ettei kaukosäätimen signaalin lähettimen ja laitteen signaalin vastaanottimen välissä ole esteitä.



## Painikkeiden kuvaus

Nro	Painike	Selitys
17	ON/OFF	Kytke laite päälle painiketta painamalla. Kytke laite pois päältä painamalla painiketta uudelleen.
18	MODE	Aseta toimintatila painiketta painamalla: AUTO, COOL, DRY, FAN ja HEAT. Oletusasetus: AUTO.  Lämpötila ei näy AUTO-tilassa. HEAT-tilan lähtöarvo on 28 °C (82 °F). Muissa tiloissa lähtöarvo on 25 °C (77 °F).
19	FAN	Aseta puhallusnopeus painiketta painamalla: AUTO, LOW, MEDIUM LOW, MEDIUM, MEDIUM HIGH ja HIGH. Oletusasetus: AUTO. DRY-tilassa voidaan asettaa vain LOW-asetus.
20	UP ^	Nosta lämpötilaa painiketta painamalla. Pidä painiketta alhaalla kahden sekunnin ajan selausnopeuden kiihdyttämiseksi. Vapauta painike asettaaksesi lämpötilan ja komennon lähettämiseksi °C/°F -signaalin näyttämiseksi jatkuvasti.  Lämpötilaväli: 16-30 °C (61-86 °F).  AUTO-tilassa ei voida asettaa lämpötilaa. Äänimerkki kuuluu, jos painiketta UP tai DOWN painetaan.
21	DOWN v	Laske lämpötilaa painiketta painamalla. Pidä painiketta alhaalla kahden sekunnin ajan selausnopeuden kiihdyttämiseksi. Vapauta painike asettaaksesi lämpötilan ja komennon lähettämiseksi °C/°F -signaalin näyttämiseksi jatkuvasti.  Lämpötilaväli: 16-30 °C (61-86 °F).  AUTO-tilassa ei voida asettaa lämpötilaa, mutta komento voidaan lähettää painiketta painamalla.
22	KELLO	Aseta kello painiketta painamalla. Jos kellon symboli vilkkuu, aseta aika painiketta UP tai DOWN painamalla. Pidä painiketta alhaalla kahden sekunnin ajan selausnopeuden kiihdyttämiseksi. Aseta kello painamalla uudelleen CLOCK-painiketta. Kellon symboli lakkaa vilkkumasta.  Kun paristo on vaihdettu, näytössä näkyy "12:00 PM". Jos kellon symboli näkyy, näytössä näkyy nykyinen aika. Jos kellon symboli ei näy, näytössä näkyy ajastin.
23	LIGHT	Kytke sisäyksikön näyttö päälle tai pois päältä painiketta painamalla. Oletusasetus: OFF.
24	TURBO	Paina COOL- tai HEAT-tilassa painiketta turbotoiminnon kytkemiseksi päälle tai pois päältä. Jos turbotoiminto on päällä, näytössä näkyy Turbo-symboli. Oletusasetus: OFF.

		Jos turbotoiminto on päällä, laite toimii turbonopeudella nopeaa jäähdystystä tai lämmitystä varten niin, että ympäristölämpötila on mahdollisimman nopeasti asetetulla lämpötilatasolla.
		Jos toimintatilaa tai puhallusnopeutta muutetaan, Turbo-symboli ei näy.
25	X-FAN	Paina COOL- tai DRY-tilassa painiketta X-FAN-toiminnon kytkemiseksi päälle tai pois päältä. Jos X-FAN-toiminto on päällä, näytössä näkyy X-FAN-symboli. Oletusasetus: OFF.
		Jos X-FAN-toiminto on päällä, sisäpuhallin jatkaa toimintaa alhaisella nopeudella 2 minuutin ajan laitteen pois päältä kytkemisen jälkeen. Tämä toiminto estää mahdollisen kondensaation muodostumisen sisäyksikön kylmiin osiin. Kytke laite pois päältä prosessin aikana painamalla X-FAN-painiketta.
		Jos X-FAN-toiminto on pois päältä, laite kytkeytyy välittömästi pois päältä.
		X-FAN-toiminto ei ole valittavissa AUTO, FAN tai HEAT-tiloissa.
26	ION-FILTER	Ota terveystuotteen käyttöön tai kytke se pois käytöstä painiketta painamalla.
27	TIMER ON	Aseta laitteen päälle kytketymisen ajastin painiketta painamalla. Jos TIMER ON -symboli vilkkuu, aseta aika painiketta UP tai DOWN painamalla. Pidä painiketta alhaalla kahden sekunnin ajan selausnopeuden kiihdyttämiseksi. Aseta ajastin painiketta painamalla. Oletusasetus: 8:00 AM (12-tunnin tila). Peruuta ajastintoiminto painamalla uudelleen painiketta.
28	TIMER OFF	Aseta laitteen pois päältä kytketymisen ajastin painiketta painamalla. Jos TIMER OFF -symboli vilkkuu, aseta aika painiketta UP tai DOWN painamalla. Pidä painiketta alhaalla kahden sekunnin ajan selausnopeuden kiihdyttämiseksi. Aseta ajastin painiketta painamalla. Oletusasetus: 17:00 AM (12-tunnin tila). Peruuta ajastintoiminto painamalla uudelleen painiketta.
29	SWING-V	Ota pystysuora kääntötoiminto käyttöön tai kytke se pois käytöstä painiketta painamalla.
30	SWING-H	Ota vaakasuora kääntötoiminto käyttöön tai kytke se pois käytöstä painiketta painamalla.
31	I FEEL	Ota I FEEL-toiminto käyttöön tai kytke se pois käytöstä painiketta painamalla. Jos I FEEL -toiminto on päällä, näytössä näkyy I FEEL -symboli.
		Jos I FEEL -symboli näkyy, kaukosäädin lähettää ympäristölämpötilan pääyksikköön 10 minuutin välein tai kun jotakin painiketta painetaan.

32	QUIET	Ota QUIET-toiminto käyttöön tai kytke se pois käytöstä painiketta painamalla. Jos QUIET-toiminto on käytössä, sisäpuhallin toimii erittäin alhaisella nopeudella, jotta äänitaso sisällä on alhainen.
33	SLEEP	Valitse (SLEEP 1, SLEEP 2, SLEEP 3 tai SLEEP CANCEL) painiketta painamalla. Oletusasetus: SLEEP CANCEL.
	SLEEP 1	COOL- ja DRY-tilassa:
		Unitila 1 käyttötunnin jälkeen: Lämpötila nousee 1 °C.
		Unitila 2 käyttötunnin jälkeen: Lämpötila nousee 2 °C.
		Tämän aikajakson kuluttua laite jatkaa uuden lämpötilan käyttämistä.
		HEAT-tilassa:
		Unitila 1 käyttötunnin jälkeen: Lämpötila laskee 1 °C.
		Unitila 2 käyttötunnin jälkeen: Lämpötila laskee 2 °C.
		Tämän aikajakson kuluttua laite jatkaa uuden lämpötilan käyttämistä.
	SLEEP 2	COOL-tilassa:
		Jos asetat lämpötilan 16-23 °C, lämpötila nousee 1 °C joka tunti. 3 °C jälkeen lämpötila ylläpidetään. 7 tunnin jälkeen lämpötila laskee 1 °C. Tämän jälkeen laite jatkaa uuden lämpötilan käyttämistä.
		Jos asetat lämpötilan 24-27 °C, lämpötila nousee 1 °C joka tunti. 2 °C jälkeen lämpötila ylläpidetään. 7 tunnin jälkeen lämpötila laskee 1 °C. Tämän jälkeen laite jatkaa uuden lämpötilan käyttämistä.
		Jos asetat lämpötilan 28-29 °C, lämpötila nousee 1 °C joka tunti. 1 °C jälkeen lämpötila ylläpidetään. 7 tunnin jälkeen lämpötila laskee 1 °C. Tämän jälkeen laite jatkaa uuden lämpötilan käyttämistä.
		Jos asetat lämpötilan 30 °C, lämpötila laskee 1 °C seitsemän tunnin välein. Tämän aikajakson kuluttua laite jatkaa uuden lämpötilan käyttämistä.
		HEAT-tilassa:
		Jos asetat lämpötilan 16 °C, laite toimii kyseisellä lämpötilalla.
		Jos asetat lämpötilan 17-20 °C, lämpötila laskee 1 °C joka tunti. 1 °C jälkeen lämpötila ylläpidetään.
		Jos asetat lämpötilan 21-27 °C, lämpötila laskee 1 °C joka tunti. 2 °C jälkeen lämpötila ylläpidetään.
		Jos asetat lämpötilan 28-30 °C, lämpötila laskee 1 °C joka tunti. 3 °C jälkeen lämpötila ylläpidetään.

SLEEP 3	Käyttäjän määrittämä käyttötila. Kaukosäätimen aika on "1 tunti". Käyttölämpötila vilkkuu 1 tunnin kuluttua.
	Aseta haluamasi lämpötila painikkeilla UP ja DOWN. Vahvasta painamalla TURBO-painiketta.
	Arvo "1 tunti" nousee arvoon "2 tuntia", "3 tuntia" tai "8 tuntia". Vastaava lämpötila vilkkuu kussakin vaiheessa.
	Toista yllä mainitut (2-3) toimenpiteet "2 tunnin", "3 tunnin" ja "8 tunnin" välein.
	Sleep 3: Lämpötila-asetuksen näyttäminen: Valitse SLEEP 3 lämpötilaa muuttamatta. Vahvasta painamalla TURBO-painiketta.
	Huomautus: Yllä oleva asetus tai pyyntötoiminto päättyy, jos mitään painiketta ei paineta 10 sekuntiin. Asetus- tai pyyntötoiminto päättyy myös, jos ON/OFF-painiketta, MODE-painiketta tai SLEEP-painiketta painetaan.

## Yleinen toiminta

- 1 Irrota laite sähköverkosta.
- 2 Käynnistä laite painamalla ON/OFF-painiketta.
- 3 Aseta toimintatila painamalla MOD-painiketta.
- 4 Aseta lämpötila painamalla UP- ja DOWN-painikkeita. (Huomio: Aseta lämpötila AUTO-tilassa.)
- 5 Aseta puhaltimen nopeus painiketta FAN painamalla.
- 6 Aseta kääntö painamalla SWING-H ja SWING-V-painikkeita.

## Valinnainen toimenpide

- 1 Ota unitila käyttöön tai kytke se pois käytöstä SLEEP-painiketta painamalla.
- 2 Ota ajastin käyttöön tai kytke se pois käytöstä TIMER ON ja TIMER OFF -painikkeita painamalla.
- 3 Kytke sisäyksikön näyttö päälle tai pois päältä painamalla LIGHT-painiketta.
- 4 Ota Turbo-toiminto käyttöön tai poista se käytöstä painamalla TURBO-painiketta.

## Erikoistoiminnot

### AUTO-tila

Lämpötila ei näy. Laite asettaa toimintatilan automaattisesti.

Kaukosäätimen lukitsemisen/avaaminen

Paina samanaikaisesti SWING-V ja ION-FILTER -painiketta kaukosäätimen lukitsemiseksi tai lukituksen avaamiseksi. Jos kaukosäädin on lukittu, näkyviin tulee LOCK-symboli. Paina mitä tahansa painiketta, jotta LOCK-symboli vilkkuisi 3 kertaa ja kaukosäätimen lukitus avautuisi. Jos kaukosäädin on avattu, näkyviin ei tule LOCK-symbolia.

Celsius (°C) ~ Fahrenheit (°F)

Jos laite on kytketty pois päältä, paina samanaikaisesti SWING-H ja ION-FILTER -painiketta asetuksen Celsius (°C) tai Fahrenheit (°F) valitsemiseksi. Energiansäästötoiminto

Paina COOL-tilassa samanaikaisesti ION-FILTER ja CLOCK -painiketta energiansäästötoiminnon ottamiseksi käyttöön tai poistamiseksi käytöstä. Näytössä näkyy "SE".

## 8 °C lämmitystoiminto

Paina HEAT-tilassa samanaikaisesti ION-FILTER ja CLOCK -painiketta 8 °C lämmitystoiminnon ottamiseksi käyttöön tai poistamiseksi käytöstä. Näytössä näkyy "8 °C" ("46 °F"). Laite alkaa lämmittämään, kun lämpötila laskee alle 8 °C. Puhaltimen nopeus säätyy automaattisesti ei sitä voida muuttaa.

## Paristojen vaihtaminen

Kaukosäädin toimii kahdella 1,5 V AAA-paristolla.

- 1 Avaa paristokotelon kansi.
- 2 Poista vanhat paristot.
- 3 Aseta uudet paristot paikoilleen. Varmista, että paristojen positiivinen (+) ja negatiivinen (-) merkintä vastaavat paristokotelon positiivista (+) ja negatiivista (-) merkintää.
- 4 Sulje paristokotelon kansi.



### HUOMIO

- Käytä aina saman tyyppisiä uusia paristoja. Älä käytä vanhoja paristoja tai eri paristotyyppisiä.
- Poista paristot, kun kaukosäädintä ei tulla käyttämään pitkään aikaan.

### HUOMAA

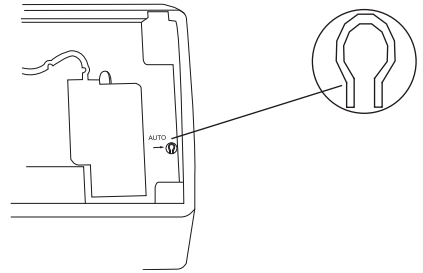
- Käytä kaukosäädintä sen lähetys- ja vastaanottovälillä.
- Käytä kaukosäädintä vähintään 1 m:n päässä TV:stä tai stereokaiuttimista.
- Suuntaa kaukosäädin pääyksikön vastaanottimeen pääyksikön

vastaanottoherkkyyden parantamiseksi

- Jos kaukosäädin välittää signaalin, välityksen symboli vilkkuu 1 sekunnin ajan. Äänimerkki kuuluu, jos pääyksikkö vastaanottaa signaalin.
- Jos kaukosäädin ei toimi normaalisti, poista paristot ja aseta ne takaisin 30 sekunnin päästä. Jos kaukosäädin ei vielääkään toimi normaalisti, vaihda paristot.

## Toimintaohjeet hätätilassa

Jos kaukosäädintä ei voida käyttää, käytä pääyksikön AUTO/STOP-painiketta. Laite toimii AUTO-tilassa. Lämpötilaa tai puhaltimen nopeutta ei voida muuttaa.



- 1 Kytke laite päälle AUTO/STOP-painiketta painamalla. Laite asettaa toimintatilan automaattisesti.
- 2 Kytke laite pois päältä painamalla uudelleen AUTO/STOP-painiketta.

Tila	Malli	Lämpötila-asetus	Puhaltimen nopeus
AUTO	Vain jäähdytys	25 °C (COOL, FAN)	AUTO
AUTO	Lämpöpumppu	25 °C (COOL, FAN)	AUTO
AUTO	Lämpöpumppu	20 °C (HEAT)	AUTO

# PUHDISTUS JA KUNNOSSAPITO



## VAROITUS

- Ennen puhdistusta ja kunnossapitoa laite on irrotettava pistorasiasta.
- Älä upota laitetta veteen tai muuhun nesteeseen. Jos laite upotetaan veteen tai muuhun nesteeseen, älä poista laitetta käsillä. Irrota laite välittömästi sähköverkosta. Jos laite upotetaan veteen tai muuhun nesteeseen, älä käytä laitetta uudelleen.
- Älä roiskuta vettä laitteeseen sähköiskun välttämiseksi.



## HUOMIO

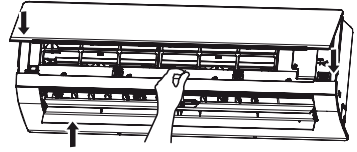
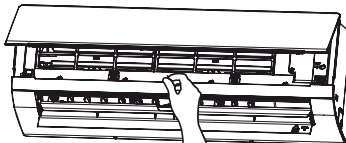
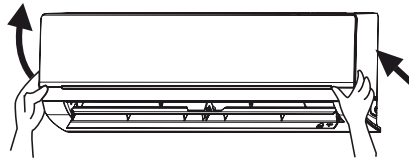
- Älä käytä voimakkaita nesteitä (esim. ohennusainetta tai bensiiniä) laitteen puhdistamiseen. Puhdista laite pehmeällä, kuivalla tai hiukan veteen tai puhdistusaineeseen kostutetulla liinalla.

## Etupaneelin puhdistaminen

- 1 Irrota etupaneeli.
- 2 Puhdista etupaneeli hiukan veteen kostutetulla liinalla.
- 3 Asenna etupaneeli.

## Ilmansuodattimen puhdistaminen

Ilmansuodattimet tulee puhdistaa 3 kuukauden välein.



## VAROITUS

- Älä kosketa sisäyksikön siipeen henkilövahinkojen välttämiseksi.



## HUOMIO

- Älä käytä yli 45 °C vettä ilmansuodattimen puhdistamiseen epämuodostumisten tai värimuutoksien estämiseksi.
- 1 Avaa etupaneeli.
  - 2 Irrota ilmansuodatin.
  - 3 Poista pöly ilmansuodattimesta imurilla.
  - 4 Jos ilmansuodatin on likainen, puhdista ilmansuodatin lämpimällä vedellä ja miedolla pesuaineella. Anna ilmansuodattimen kuivua luonnollisesti viileässä ja pimeässä paikassa.
  - 5 Asenna ilmansuodatin.
  - 6 Sulje etupaneeli.

## Tarkistukset ennen käyttöä

- Varmista, ettei mikään tuki tulo- tai poistoilma-aukkoja.
- Varmista, ettei ulkoyksikön asennustelineessä ole vaurioita. Jos asennusteline on vaurioitunut, ota yhteyttä pätevään teknikkoon.
- Varmista, että paristot on asennettu kaukosäätimeen.

## Kunnossapito käytön jälkeen

- Irrota laite sähköverkosta.
- Puhdista suodattimet sekä sisä- ja ulkoyksikön ulkokuoret.
- Poista ulkoyksikön mahdolliset esteet.

# VIANMÄÄRITYS



## HUOMIO

- Laitteessa ei ole käyttäjän huollettavissa olevia osia. Älä yritä korjata laitetta itse sähköisku- ja tulipalovaaran välttämiseksi. Vie

laite valtuutetun huoltopalvelun korjattavaksi. Seuraavien tarkistuksien avulla voit säästää aikaa ja rahaa ennen kuin otat yhteyttä valtuutettuun huoltopalveluun.

Ongelma	Korjaustoimenpide
Laite ei toimi lainkaan.	Laite ei toimi, jos se kytketään päälle välittömästi pois päältä kytkemisen jälkeen. Kun laite on sammutettu, odota noin 3 minuuttia ennen sen kytkemistä päälle uudelleen.
Laitteesta pääsee hajua.	Sisäyksiköstä voi päästä hiukan hajua laitteeseen päässeiden huoneen hajujen vuoksi (kalusteet, tupakan haju, jne.). Jos hajut jatkuvat, ota yhteyttä valtuutettuun huoltopalveluun.
Veden virtausäänet.	Veden virtausäänet johtuvat laitteen sisällä virtaavasta jäähdytysaineesta.
Kosteuden muodostuminen COOL-tilassa.	Jäähdytyksen aikana sisäyksiköstä voi päästä kosteutta, korkean huoneen lämpötila- ja kosteustason vuoksi. Huuru poistuu, jos huoneen lämpötila ja kosteus laskevat.
Rätisevää ääntä.	Rätisevä ääni johtuu kittasta, jota syntyy etupaneelin tai muiden osien laajentumisesta ja/ tai supistumisesta lämpötilamuutoksien vuoksi.
Laitetta ei voida käynnistää.	Onko laite kytketty sähköverkkoon? Onko pistoke kunnolla pistorasiassa? Onko ylivirtasuojaja lauennut? Onko jännite suurempi tai pienempi? (ammattilaisten testaama) Käytetäänkö ajastinta oikeaoppisesti?
Jäähdytys-/lämmitysteho on heikko.	Onko lämpötila asetettu oikein? Onko ilmanotto- tai ilmanpoistoaukko tukossa? Onko ilmansuodatin likainen? Onko ikkuna tai luukku auki? Onko asetettu alhainen puhaltimen nopeus? Onko huoneessa lämpölähteitä?
Kaukosäädin ei toimi.	Onko laitteen lähellä magneetti- tai sähköhäiriötä? Jos näin on, poista ja asenna paristot uudelleen paikoilleen.

	Onko kaukosäädin sen lähetys- ja vastaanottovälillä ja onko sen toiminta esteetöntä? Vaihda tarvittaessa paristot.
	Onko kaukosäädin vaurioitunut?
Sisäyksikön vesivuoto.	Huoneen kosteustaso on suuri. Lauhdevesi virtaa yli. Tyhjennysletku on löysällä.
Ulkoyksikön vesivuoto.	Veden kondensoitumista muodostuu COOL-tilassa putkien ja liitäntöjen ympärille. HEAT-tilassa vettä vuotaa lämmönvaihtimesta. Sulatusvesi vuotaa ulos sulatustilassa.
Sisäyksiköstä pääsee poikkeavaa ääntä.	Ääntä pääsee, kun puhallin tai kompressorin rele kytkeytyy päälle tai pois päältä. Jos sulatusila käynnistetään tai pysäytetään, kuulet jäähdytysnesteen virtausääniä vastakkaiseen suuntaan.
Sisäyksikkö ei puhalla ilmaa.	Kun sisätilan lämmönvaihtimen lämpötila on alhainen HEAT-tilassa, ilmavirtaus pysäytetään 2 minuutin kuluessa kylmän ilman estämiseksi. Kun ulkotilan lämpötila on alhainen tai kosteustaso suuri HEAT-tilassa, ulkotilan lämmönvaihtimeen muodostuu huurretta. Laite sulaa automaattisesti ja sisäyksikön ilman puhallus loppuu 3-12 minuutin ajaksi. DRY-tilassa sisätilan puhallin lopettaa ilman puhaltamisen 3-12 minuutiksi, jotta lauhdevettä ei muodostuisi. Sulatustilassa voi muodostua vettä tai höyryä.
Ilmanpoistoaukon kosteus.	Jos laitetta käytetään pitkään kosteustason ollessa suuri, ilmanpoistoaukon säleikköön muodostuu kosteutta.
C5: Liittimen hyppyjohtimen toimintahäiriö.	Tarkista, onko liittimen hyppyjohdin liitetty oikein. Vaihda tarvittaessa vanha piirilevy uuteen.
F1: Sisätilan ympäristölämpötila-anturin toimintahäiriö.	Tarkista, onko sisätilan lämpötila-anturi liitetty oikein.
F2: Haihduttimen lämpötila-anturin toimintahäiriö.	Tarkista, onko haihduttimen lämpötila-anturi liitetty oikein.
Käytön aikana kuuluu voimakasta ääntä.	Lopeta käyttö välittömästi, irrota laite sähköverkosta ja ota yhteyttä valtuutettuun huoltopalveluun.

Voimakasta hajua esiintyy käytön aikana.	Lopeta käyttö välittömästi, irrota laite sähköverkosta ja ota yhteyttä valtuutettuun huoltopalveluun.
Sisäyksikössä on vesivuoto.	Lopeta käyttö välittömästi, irrota laite sähköverkosta ja ota yhteyttä valtuutettuun huoltopalveluun.
Ilmakytkin tai suojakytkin katkaisee virransyötön usein.	Lopeta käyttö välittömästi, irrota laite sähköverkosta ja ota yhteyttä valtuutettuun huoltopalveluun.
Laitteeseen on roiskunut vettä tai muuta nestettä.	Lopeta käyttö välittömästi, irrota laite sähköverkosta ja ota yhteyttä valtuutettuun huoltopalveluun.
Virtajohto ja pistoke ovat ylikuumentuneet.	Lopeta käyttö välittömästi, irrota laite sähköverkosta ja ota yhteyttä valtuutettuun huoltopalveluun.

## KÄYTTÖÄ KOSKEVAT NEUVOT

### Jäähdyttäminen

Ilmastointilaitteet imevät lämpöä sisätilasta ja välittävät lämmön ulkoyksikköön huoneen lämpötilan laskemiseksi. Jäähdytysteho nousee tai laskee ulkolämpötilan mukaan.

#### Pakkassuoja

Jos laite on COOL-tilassa ja ympäristölämpötila on alhainen, sisäyksikön lämmönvaihtimeen muodostuu huurretta. Jos lämmönvaihtimen lämpötila laskee alle nolla-arvon, kompressorin pysähtyy laitteen suojaamiseksi.

### Lämmittäminen

Ilmastointilaitteet imevät lämpöä ulkotilasta ja välittävät lämmön sisäyksikköön huoneen lämpötilan nostamiseksi. Lämmitysteho nousee tai laskee ulkolämpötilan mukaan.

#### Sulattaminen

- Jos ulkolämpötila on alhainen ja kosteustaso suuri, ulkoyksikköön

muodostuu huurretta pitkäaikaisen käytön aikana. Lämmitysteho laskee. Laite voi lakata toimimasta sulattamisen aikana.

- Sulatuksen aikana sisä- ja ulkoyksikön tuulettimen moottorit eivät toimi.
- Sisäyksikön merkkivalo vilkkuu ja ulkoyksiköstä voi päästä höyryä sulatuksen aikana. Tämä on normaali toimenpide ulkoyksikön lämmönvaihtimen jään poistamiseksi.
- Sulatuksen jälkeen lämmitys jatkaa toimintaa automaattisesti.

### Lämmitystoiminto

Sisäyksikön puhallin ei toimi HEAT-tilassa, jotta kylmää ilmaa ei pääsisi ulos, jos sisäyksikön lämmönvaihdin ei saavuta tiettyä lämpötilaa seuraavissa tilanteissa:

- lämmityksen käynnistyminen
- sulatuksen päättyessä
- alhaisilla lämpötiloilla lämmittäessä.

## Kevyt puhallus

Sisäyksikkö voi puhaltaa kevyesti ja vaakasuora säleikkö kiertää tiettyyn asentoon jossakin seuraavista tilanteista:

- HEAT-tilassa kompressori ei käynnisty laitteen päälle kytkemisen jälkeen.

- HEAT-tilassa lämpötila saavuttaa asetusarvon ja kompressori on pysähtynyt 1 minuutin ajaksi.

## Käyttölämpötila-alue

Ainoastaan jäädyttävien laitteiden käyttölämpötilaväli on -15-(+48) °C. Lämpöpumpun käyttölämpötilaväli on -20-(+24) °C.

	Sisäpuoli (°C)	Ulkopuoli (°C)
Maks. jäädytys	32	48
Min. jäädytys	21	-15
Maks. lämmitys	27	24
Min. lämmitys	20	-20

## Energiansäästöön liittyviä vinkkejä

- Älä jäädytä tai lämmitä liikaa. Säästät energiaa, kun asetat lämpötilan keskiuureen asetukseen.
- Peitä ikkunat säleiköllä tai verholla. Jäädytys on tehokkaampaa, kun ulkoilman auringonvalo ja ilmavirtaus estetään.

- Puhdista ilmansuodattimet kahden viikon välein. Tukkiutuneet ilmansuodattimet johtavat alhaiseen tehoon ja energiahukkaan.

## Suhteellista kosteutta koskeva vinkki

- Jos laitetta käytetään alueella, jonka suhteellinen kosteus on yli 80 % pitkään, lauhdevettä voi valua säilyksiköstä.

## ASENNUS

### Asennusohjeet

- Mikäli ohjeita ei noudateta, seurauksena voivat olla henkilövahingot ja/tai omaisuusvahingot.
- Mikäli ohjeita ei noudateta, laitteen suorituskyky voi olla heikko.
- Jätä laitteen asennus valtuutetun huoltopalvelun vastuulle.
- Varmista, että laite asennetaan paikallisten ja maakohtaisten määräyksien mukaisesti.

- Varmista, että laite asennetaan tämän ohjekirjan ohjeiden mukaisesti.
- Ota yhteyttä valtuutettuun huoltopalveluun, jos jo asennetun laitteen siirtäminen on tarpeen.
- Katkaise virta ennen laitteen käyttämistä.
- Anna valtuutetun huoltopalvelun tai pätevän asiantuntijan korjata virtajohto, kun laitteessa on Y-liitäntä.
- Pistorasiaan on päästävä helposti asennuksen jälkeen.

- Säilytä riittävä väli liitosjohdon ja jäähdytysputken välissä, koska järjestelmän käyttölämpötila on korkea.
- Sisä- ja ulkoyksikön välisiä liitosputkia ei toimiteta laitteen mukana.
- Ulkoyksikkö saa virtaa sisäyksiköstä.

## Asennuspaikka

- Älä asenna laitetta alueelle, jossa on:
  - voimakkaita lämpölähteitä
  - höyryä tai syttyviä kaasuja
  - öljyhiukkasten kontaminaatiota
  - suuren taajuuden sähkömagneettisia laitteita (esim. hitsauslaitteisto tai lääkinälliset laitteet)
  - korkea suolapitoisuus (esim. rannikoilla)
  - rikkiä sisältäviä kaasuja (esim. kuumavesilähteet)
  - huono ilman laatu.

## Sisäyksikkö

- Säilytä tässä asiakirjassa määritetyt asennuksen vähimmäisvälimatkat. Älä tuki ilmanotto- tai ilmanpoistoaukkoja.
- Älä käytä laitetta erittäin kosteissa paikoissa.
- Asenna sisäyksikkö lasten ulottumattomiin.
- Seinän on oltava riittävän vahva laitteen painon ja tärinän tukemiseen.
- Asenna sisäyksikkö vähintään 230 cm lattiatason yläpuolelle.
- Jätä riittävästi tilaa puhdistus- ja huoltotoimenpiteitä varten.
- Ilmansuodattimeen pääsy on varmistettava.
- Varmista, että laitteen ja muiden sähkölaitteiden välissä on vähintään 1 m tilaa.
- Asenna sisäyksikkö paikkaan, jossa lauhdevesi voidaan helposti tyhjentää.
- Varmista asennuksen aikana, ettei laite altistu suoralle auringonvalolle.

## Ulkoyksikkö

- Säilytä tässä asiakirjassa määritetyt asennuksen vähimmäisvälimatkat.
- Älä tuki ilmanotto- tai ilmanpoistoaukkoja.
- Asenna ulkoyksikkö lasten ulottumattomiin.
- Asenna ulkoyksikkö paikkaan, jossa on riittävän hyvä tuuletus.
- Asenna ulkoyksikkö paikkaan, jossa laitteen äänet ja ilmavirtaus eivät häiritse naapureita tai eläimiä.
- Asenna ulkoyksikkö kuivaan paikkaan.
- Asenna ulkoyksikkö paikkaan, jossa se on suojassa suoralta auringonvalolta tai voimakkaalta tuulelta.
- Asenna laite paikkaan, joka kestää laitteen painon ja tärinän.
- Sisä- ja ulkoyksikön korkeusero saa olla enintään 5 m.
- Liitosputkien pituuden on oltava alle 10 m.
- Jätä riittävästi tilaa puhdistus- ja huoltotoimenpiteitä varten.
- Ulkoyksikkö saa virtaa sisäyksiköstä.

## Sähkölaitteiden varotoimenpiteet

- Käytä erillistä päävirtapiiriä.
- Laite on maadoitettava oikeaoppisesti.
- Asenna vikavirtasuojakytkin henkilövahinkojen välttämiseksi mahdollisen virran vuotaessa.
- Käytä moninapaista katkaisinta, jonka koskettimien väli on vähintään 3 mm kaikissa johdotuksen navoissa. Pistokkeella varustetuissa malleissa tulee varmistaa pistokkeeseen pääsy.
- Asennuksen on oltava paikallisten sähköturvallisuutta koskevien määräyksien ja vastaavien paikallisten määräyksien mukainen.
- Laite on asennettava kansallisten kytkentämääräysten mukaisesti.
- Älä kohdista virtajohtoon voimaa.

- Laitteen ja lämpölähteiden välimatkan on oltava vähintään 1,5 m.
- Ilmakytkimen käyttö. Ilmakytkimessä on oltava toimintoja magneetin ja

lämmön pysäyttämiseen oikosulku- tai ylikuormitusvaaran välttämiseksi. Sopiva kapasiteetti on annettu seuraavassa taulukossa.

Ilmastointilaite (Btu)	Ilmakytkimen tilavuus
09-12K	16 A

### HUOMAA

- Varmista, että virtajohto, neutraali johto ja maadoitusjohto on liitetty hyvin pistorasiaan.
- Puutteelliset tai virheelliset sähköliitännät voivat aiheuttaa sähköisku- ja tulipalovaaran.

#### Maadoitusvaatimukset

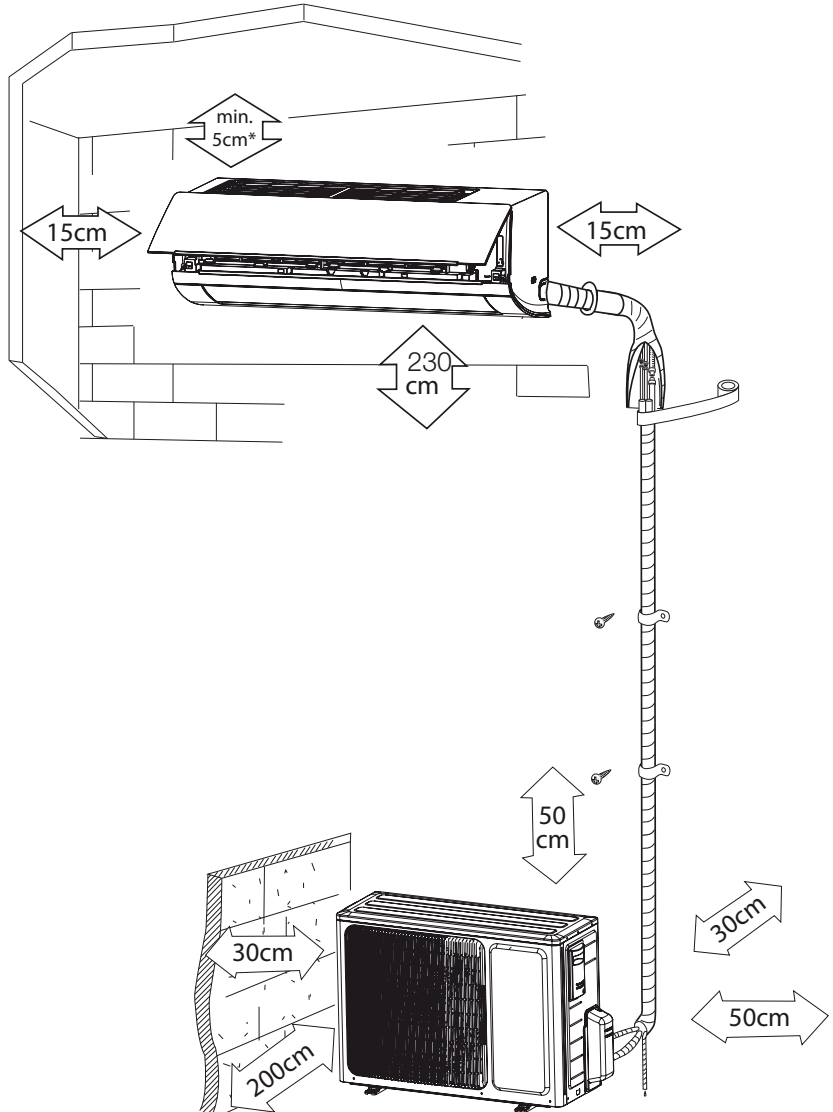
- Laite on tyyppin I sähkölaite. Varmista, että laite on maadoitettu oikein.
- Keltavihreä johto on maadoitusjohto, jota ei voida käyttää muihin

tarkoituksiin. Virheellinen maadoitus voi aiheuttaa sähköiskun.

- Maadoituksen vastuksen on oltava paikallisten määräyksien mukainen.
- Virransyöttöjärjestelmässä on oltava luotettava maadoitusliitin. Älä liitä maadoitusjohtoa vesiputkiin, kaasuputkiin, kontaminaatioputkiin tai muihin vaarallisiin paikkoihin.
- Sulakkeiden on oltava sulakekotelon kanteen tai piirilevyyn merkittyjen mallitietojen ja tehoarvojen mukaiset.

## Asennuskaavio

Laitteen oikeaoppisen asennuksen mitat sisältävät vähimmäisvälit lähellä oleviin osiin.



\* Maksimaalisen ilmavirtauksen suositeltu välimatka on 15 cm.

## Sisäyksikkö

Asennuslevyn asentaminen

- 1 Asenna asennuslevy vaakasuoraan.
- 2 Kiinnitä asennuslevy seinään ruuveilla. Varmista, että asennuslevy kestää noin 60 kg:n painon. Painon tulee jakautua tasaisesti kuhunkin ruuviin.

Porausaukko

- 1 Taivuta seinässä olevaa putken aukkoa (Ø 55 mm) hiukan alaspäin ulkotilaan päin.
- 2 Aseta putken aukon laippa reikään, jotta liitosputki ja johdotus ei vaurioituisi.

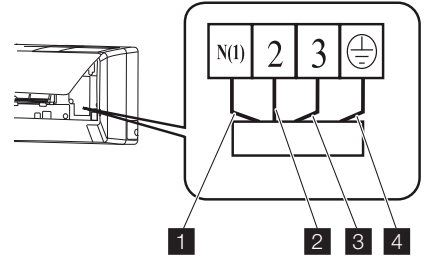
Tyhjennysletkun asentaminen

- 1 Liitä tyhjennysletku sisäyksikön poistoputkeen. Sido liitos kumihihnalla.
- 2 Aseta tyhjennysletku eristysputkeen.
- 3 Kääri eristysputki kumihihnaan, jotta eristysputki ei pääsisi liikkumaan. Taivuta tyhjennysletkua hiukan alaspäin lauhdeveden poistamiseksi tasaisesti.

### HUOMAA

- Eristysputki tulee liittää luotettavasti laippaan poistoputken ulkopuolella. Tyhjennysletkua on taitettava hiukan alaspäin sitä vääntämättä, pullistamatta tai vaihtelematta. Älä aseta tyhjennysletkun poistopäätä veteen, jotta tyhjennysletku ei jäätyisi.

Sisäyksikön sähkökaavio:



Nro	Väri
1	Sininen (neutraali)
2	Musta
3	Ruskea
4	Keltainen (maa)



### HUOMIO

- Tarkista johdotus ja varmista, ettei oikosulkuja ole. Virheellinen johdotus voi aiheuttaa toimintahäiriötä.
- 1 Avaa etupaneeli.
  - 2 Poista johdotuksen suojuus.
  - 3 Kiinnitä virtajohto liitinalustaan (kuvan mukaisesti).
  - 4 Ohjaa virtajohto reiän läpi sisäyksikön takaosassa.
  - 5 Asenna johdon kiinnitin ja johdotuksen suoja.
  - 6 Sulje etupaneeli.

### HUOMAA

- Ainoastaan pätevä sähköasentaja saa liittää sisä- ja ulkoyksikön välisen sähköjohdon.
- Kiristä kytkentäkotelon ruuvit tiukasti.
- Vedä johtoa hiukan ruuvien kiristämisen jälkeen varmistaaksesi sen kireyden.
- Varmista, että sähköliitännät on maadoitettu oikein sähköiskun välttämiseksi.

- Varmista, että johtojen liitännät ovat tiukat ja että suojakannet on asennettu oikein sähköiskun välttämiseksi.

#### Sisäyksikön asennus

Putket voivat tulla ulos oikealta, oikealta takaosasta, vasemmalta tai vasemmalta takaosasta.

- 1 Kun putket ja johdot reititetään sisäyksikön vasemmalta tai oikealta puolelta, leikkaa tarvittaessa pois rungon päät.
- 2 Poista putket rungon kotelosta.
- 3 Kääri putket, virtajohdot ja tyhjennysletku teipillä.
- 4 Vie putket, virtajohdot ja tyhjennysletku putken aukon läpi.
- 5 Ripusta sisäyksikön asennusaukot hyvin asennuslevyn yläkouruihin.
- 6 Asennuspaikan on oltava vähintään 230 cm lattiatinnan yläpuolella.

#### Liitosputken asentaminen

- 1 Kohdista putken kaarevan osan keskikohta vastaavaan venttiiliin.
- 2 Ruuvaa kiinnitysmutteri käsin ja kiristä mutteri ruuviavaimella ja momenttiavaimella. Katso seuraavaa taulukkoa.

Kuusiomutterin halkaisija (mm)	Kiristysmomentti (Nm)
Ø 6	15-20
Ø 9,52	30-40
Ø 12	45-55
Ø 16	60-65
Ø 19	70-75

#### HUOMAA

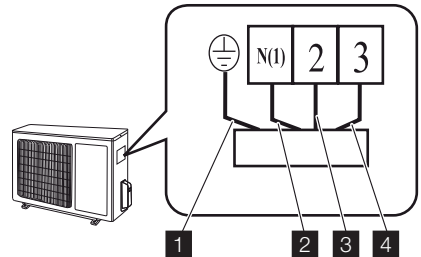
- Liitä ensin liitosputki sisäyksikköön ja sen jälkeen ulkoyksikköön Käsittele putkien taitoskohtaa varoen. Varo vahingoittamasta liitosputkea.

Kiristä liitosmutteri tiukasti vuotojen estämiseksi.

- Sisä- ja ulkoyksikön välisiä liitosputkia ei toimiteta laitteen mukana.
- Jos liitosputki on yli 7,5 m pitkä, lisää yksikköön enemmän jäähdytysainetta. Lisää 20 g/m tuotetta R410A malleihin, joiden kapasiteetti on alle 6500 W. Lisää 50 g/m muihin malleihin.

#### Ulkoyksikkö

Sähköjohdot



Nro	Väri
1	Keltainen (maa)
2	Sininen (neutraali)
3	Musta
4	Ruskea



#### HUOMIO

- Tarkista johdotus ja varmista, ettei oikosulkuja ole. Virheellinen johdotus voi aiheuttaa toimintahäiriöitä.
- 1 Irrota kahva (x2) ulkoyksikön oikeanpuoleisesta levystä.
  - 2 Poista virtajohdon liitäntä.
  - 3 Liitä virtajohto liitinalustaan.
  - 4 Lukitse johdon asento johdon kiinnittimillä.
  - 5 Tarkista liitäntöjen virheetömyys.
  - 6 Asenna kahva takaisin.

### HUOMAA

- Tarkista liitännän ja lukitusasentojen välinen välys.

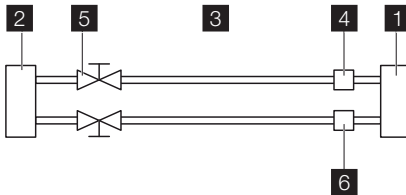


### HUOMIO

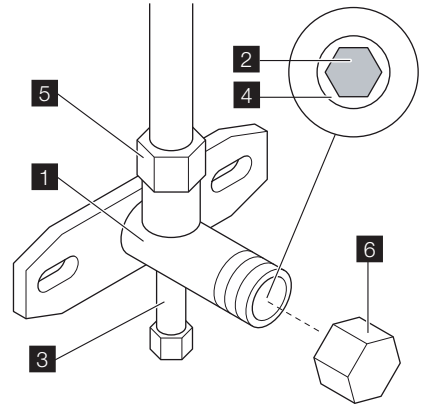
- Avaa pakatun venttiin vartta, kunnes se osuu pysäyttimeen. Älä yritä avata sitä enempää. Sulje pakatun venttiin varsi erityisellä välineellä. Sulje pakatun venttiin suoja ruuviavaimella.

### HUOMAA

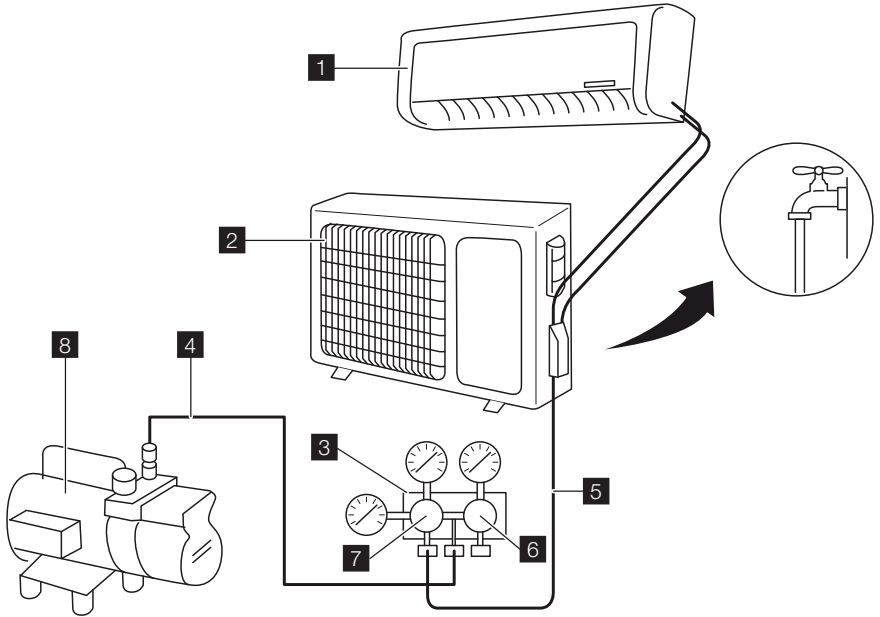
Ulkoyksikössä on kaksi ulostuloaukkoa, yksi alaosassa ja toinen yläosassa. Ainoastaan alaosan ulostuloaukossa on latausportti. Alaosan ulostuloaukko on esitetty alla.



- 1** Sisäyksikkö
- 2** Ulkoyksikkö
- 3** Jäähdytysaine
- 4** Kaasu
- 5** Pakattu venttiili
- 6** Puoliliitos



- 1** Venttiin runko
- 2** Venttiin varsi
- 3** Latausportti
- 4** Pysäytin
- 5** Liitosmutteri
- 6** Suoja



- 1 Venttiilin runko
- 2 Venttiilin varsi
- 3 Latausportti
- 4 Pysäytin
- 5 Liitosmutteri
- 6 Suoja

ja mittari osoittaa 0 miinukseen sijaan).

- 8 Kiristä kiinnitysmutteri.
- 9 Poista 15 minuutin ajan tai sitä kauemmin ja tarkista, että mittari osoittaa  $-7,6 \times 10^5 \mu\text{mHg}$  ( $-1 \times 10^5 \text{ Pa}$ ) ( $-0,7 \text{ bar}$ ).
- 10 Sulje putken venttiin Lo-kahva kokonaan ja sammuta tyhjäpumpu.
- 11 Käännä pakatun venttiin vartta B noin  $45^\circ$  vastapäivään 6-7 sekunnin ajan kaasun ulostulemisen jälkeen, kiristä kiinnitysmutteri tämän jälkeen uudelleen.
- 12 Varmista, että painemittarin lukema on hiukan ilmanpainetta suurempi. Näin tarkistat, virtaako jäähdytysaine oikein putkien läpi.
- 13 Poista tyhjäletku.
- 14 Aseta latausportin suoja takaisin.
- 15 Avaa pakatun venttiin varret B ja A kokonaan.
- 16 Kiristä pakattujen venttiilien suojus.

#### Tyhjöpumpun käyttäminen.

- 1 Kiristä liitosmutterit liitännöissä A, B, C ja D.
- 2 Liitä tyhjiöletku latausportin ja putkiston väliin.
- 3 Liitä toinen latausletku putkiston ja tyhjäpumpun väliin.
- 4 Avaa putken venttiin Lo-kahva kokonaan.
- 5 Käytä tyhjäpumpua ilman poistamiseksi.
- 6 Löysää hiukan Lo-venttiin kiinnitysmutteria kaasuputken puolella.
- 7 Tarkista, vuotaako järjestelmään ilmaa (tyhjäpumpun äänet muuttuvat

Ulkoyksikön lauhdeveden poistaminen (vain lämpöpumpulla varustettu laite)  
Lauhdevesi ja sulatusvesi tulee poistaa lämmityksen aikana tyhjennysletkun kautta.

- 1 Asenna ulkoyksikön tyhjennysletkun liitin aluslaatan Ø 25 mm:n reikään.
- 2 Liitä tyhjennysletku liittimeen niin, että ulkoyksikön vesi voidaan poistaa. Liitä reikään, jonka halkaisija on 25.

## Tarkista asennuksen jälkeen

Tarkistettavat osat	Mahdollinen toimintahäiriö
Onko laite kiinnitetty hyvin?	Laite voi pudota, täristä tai päästää ääntä.
Oletko suorittanut jäähdytysaineen vuototestin?	Riittämätön jäähdytys tai lämmitys.
Onko lämpöeristys riittävä?	Kondensaatio.
Onko vedenpoisto riittävä?	Vesivuoto.
Onko jännite arvokilven nimellijännitteen mukainen?	Sähkövika tai laitteen vaurio.
Onko sähköjohdot tai putkilliitäntä asennettu oikein ja tiukasti?	Sähkövika tai osien vauriot.
Onko laite maadoitettu hyvin?	Sähkövuoto.
Onko virtajohto määräyksien mukainen?	Sähkövika tai osien vauriot.
Onko ilmanotto- tai ilmanpoistoaukko tukossa?	Riittämätön jäähdytys tai lämmitys.
Ovatko liitosputkien pituus ja jäähdytysaineen tilavuus määräyksien mukaiset?	Virheellinen jäähdytysaineen tilavuus.
Ovatko liitosputkien pituus ja jäähdytysaineen tilavuus määräyksien mukaiset?	Virheellinen jäähdytysaineen tilavuus.

## Toiminnallinen testi

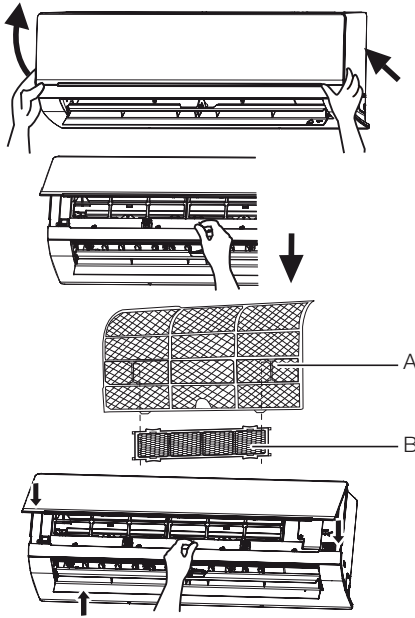
Ennen toiminnallista testiä

- Älä kytke laitetta verkkovirtaan ennen kuin asennus on suoritettu loppuun.
- Sähköjohdot on liitettävä oikein ja varmasti.
- Liitosputkien sulkuventtiilit tulee avata. Katso osio ”Imuroiminen ja vuototesti”.
- Laite on puhdistettava huolellisesti.

Toiminnallisen testin suorittaminen

- 1 Kytke laite verkkovirtaan.
- 2 Kytke laite päälle ON/OFF-painiketta painamalla.
- 3 Aseta käyttötila MODE-painiketta painamalla ja tarkista, onko toiminta odotuksien mukaista.

# TERVEYSSUODATIN



## Asennus

- 1 Avaa etupaneeli.
- 2 Irrota ilmansuodatin (A).
- 3 Liitä terveysuodatin (B) ilmansuodattimeen (A).
- 4 Asenna ilmansuodatin (A).
- 5 Sulje etupaneeli.

## Puhdistus ja kunnossapito

- 1 Irrota terveysuodatin.
- 2 Poista pöly terveysuodattimesta imurilla.
- 3 Jos terveysuodatin on likainen, puhdista terveysuodatin lämpimällä vedellä ja miedolla pesuaineella. Anna terveysuodattimen kuivua luonnollisesti viileässä ja pimeässä paikassa.
- 4 Asenna terveysuodatin.

## Huoltoväli

Terveysuodattimen huoltoväli on noin yksi vuosi normaaleissa käyttöolosuhteissa. Terveysuodatin tulee vaihtaa, kun sen pinta tummuu (vihreä).

[www.electrolux.com/shop](http://www.electrolux.com/shop)



66129916987

