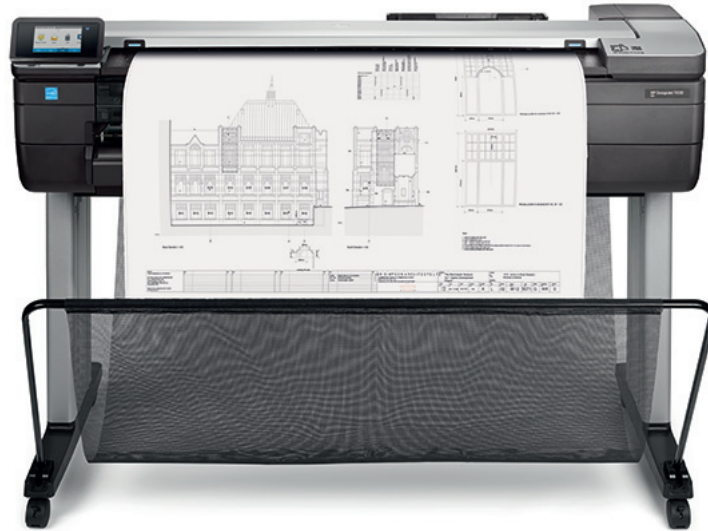




HP DesignJet T830 Multifunction Printer

Multifunction reinvented – built-in scanner at an unbeatable price.

Print, scan, copy, and share – robust, compact 914-mm Wi-Fi MFP for office and construction



ROBUST – Damage-resistant for offices and job sites

- Half the size², built to last – this robust MFP handles activity at challenging sites, even construction.
- Produces prints 3 times faster than previous HP models – see A1-size prints delivered in 25 seconds.
- Choose from 40- to 300-ml HP ink cartridges to fit your print volume, large supplies can reduce interventions.
- Transport and onsite dust, damage protection with optional HP DesignJet Rugged Case.

CONVENIENT – Easy operation helps users save time

- Complete tasks intuitively – almost 3 times faster vs other devices³ – one touchscreen works like a smartphone.
- Cut waste by 50% – print at half scale with automatic sheet feeder/tray; cut extra work, waste of wide rolls.⁴
- No LAN needed – move this MFP any time, any place your Wi-Fi signal can reach with wireless connectivity.⁵

COLLABORATION – Mobile print/scan for team sharing

- Use integrated scanning to capture and share feedback, enable archiving, and more.
- The printer creates its own Wi-Fi network for easy connectivity with Wi-Fi Direct.
- Conveniently scan, share, print right from your smartphone or tablet⁶; enjoy a smartphone-like experience.
- Manage scans from your mobile device with the HP AiO Printer Remote app⁶, enabled by HP Mobile Printing.

Dynamic security enabled printer. Only intended to be used with cartridges using an HP original chip. Cartridges using a non-HP chip may not work, and those that work today may not work in the future.

More at:

<http://www.hp.com/go/learnaboutsupplies>

For more information, please visit

<http://www.hp.com/go/designjett830>



¹ Based on 914-mm (36-inch) Wi-Fi integrated MFPs available in the market as of September, 2015.

² The HP DesignJet T830 Multifunction Printer is the most compact 914-mm (36-inch) device performing large-format print/scan/copy functions and is at least half the size (without the legs) based on H x W x L specifications published as of September, 2015.

³ Usability compared to competitive alternatives and based on internal HP testing and methodology in September, 2015 evaluating ease-of-use for first-time users comparing the time and additional assistance required to complete the task of copying a color A0-size document and scaling it down to A3 size on the HP DesignJet T830 Multifunction Printer with a single touchscreen compared to using a separate printer and standalone scanner.

⁴ Printing on sheets eliminates the extra work and cutting waste of printing on performance equivalent roll-based printers in the market as of September, 2015. For example, printing at half scale (343 mm/13.5 inches) on a typical (914-mm/36-inch) roll results in over 50% paper waste and additional labour to cut.

⁵ Local printing requires mobile device and printer to be on the same network (usually Wi-Fi access points bridge wireless to wired connections) or have a direct wireless connection. Wireless performance is dependent on physical environment and distance from access point. Wireless operations are compatible with 2.4 GHz operations only. Remote printing requires an Internet connection to an HP web-connected printer. Wireless broadband use requires separately purchased service contract for mobile devices. Check with service provider for coverage and availability in your area. See <http://www.hp.com/go/designjetmobility> for more details.

⁶ The HP All-in-One Printer Remote mobile app is available for Apple® iPad, iPhone, and iPod Touch running iOS v7.0 or later and for Android™ mobile devices running Android™ v4.4 or later. The HP All-in-One Printer Remote mobile app is available for free from the Apple® App Store for Apple® mobile devices and from the Google Play Store for Android™ mobile devices.

Technical specifications

Print	
Line drawings	25 sec/page on A1; 82 A1 prints per hour ¹
Print resolution	Up to 2400 x 1200 optimized dpi
Margins	Roll: 5 x 5 x 5 mm Sheet: 5 x 5 x 5 mm
Technology	HP Thermal Inkjet
Ink types	Dye-based (C, M, Y); Pigment-based (mK)
Printheads	1 (cyan, magenta, yellow, matte black)
Line accuracy	±0.1% ²
Minimum line width	0.02 mm (HP-GL/2 addressable)
Guaranteed minimum line width	0.07 mm (ISO/IEC 13660:2001(E)) ³
Media	
Handling	Sheet feed, roll feed, input tray, media bin, automatic cutter
Size	210 to 914 mm wide sheets; 279 to 914 mm rolls; Input tray: A4, A3; Manual feed: A2, A1, A0
Thickness	Up to 0.3 mm
Scan	
Scan	Up to 3.81 cm/sec (colour, 200 dpi); Up to 11.43 cm/sec (greyscale, 200 dpi)
Scan/copy resolution	600 dpi
Maximum size	914 mm x 2.77 m
Maximum thickness	0.8 mm
Copy	
Reduction/enlargement	50 to 400%
Maximum copies	Up to 99 copies
Copier settings	Content type; Lighter/Darker; Background noise removal; Background color removal; Blue print invert; Translucent media; Color; Scan full width (36-in); Auto De-skew; Resize; Copy Margins; Quality
Applications	
	Line drawings; Renderings; Presentations
Memory	
	1 GB
Connectivity	
Interfaces (standard)	Gigabit Ethernet (1000 Base-T); Wi-Fi; Hi-Speed USB 2.0 certified connector
Print languages (standard)	HP-GL/2, HP-RTL, TIFF, JPEG, CALS G4, HP PCL 3 GUI, URJ
Printing paths	Windows and Mac printer drivers, Apple AirPrint driver, print from USB pen drive
Mobile printing capability features	Wi-Fi Direct and local Wi-Fi connectivity to enable mobile printing and scanning via HP ePrint, Apple AirPrint™ and HP All-in-One printer remote App. Supports printing from most smartphones and tablets using these operating systems: Android, iOS
Drivers (included)	HP-GL/2, HP-RTL drivers for Windows; HP PCL 3 GUI driver for Mac OS X and Windows
Dimensions (w x d x h)	
Printer	1403 x 629 x 1155 mm
Shipping	1578 x 575 x 646 mm
Weight	
Printer	62.5 kg
Shipping	85 kg
What's in the box	
	HP DesignJet T830 MFP; printhead; ink cartridges; printer stand; spindle; quick reference guide; setup poster; startup software; power cord; refeed preventers
Environmental ranges	
Operating temperature	5 to 40°C
Storage temperature	-25 to 55°C
Operating humidity	20 to 80% RH
Acoustics	
Sound pressure	48 dB(A) (active); < 16 dB(A) (sleep)
Sound power	6.5 B(A) (active); < 3.4 B(A) (sleep)
Power	
Consumption	35 watts (printing), 3.5 watts (sleep), 0.2 watts (standby)
Requirements	Input voltage (auto ranging): 100-240 V (±10%), 50/60 Hz (±3 Hz), 1.2 A max
Certification	
Safety	USA and Canada (CSA certified); EU (LVD and EN 60950-1 compliant); Russia (GOST); Singapore (PSB); China (CCC); Mexico (NYCE); India (BIS)
Electromagnetic	Compliant with Class B requirements, including: USA (FCC rules), Canada (ICES), EU (EMC/R&TTE Directives), Australia (ACMA), New Zealand (RSM), China (CCC), Japan (VCCI); Certified as Class A product: Korea (KCC)
Environmental	ENERGY STAR, EPEAT Silver, CE marking (including RoHS, WEEE, REACH). In compliance with WW RoHS materials restriction requirements in China, Korea, India, Vietnam, Turkey, Serbia, and Ukraine.
Warranty	
	Two-year limited warranty. Warranty and support options vary by product, country and local legal requirements.

Ordering information

Product

F9A30A HP DesignJet T830 914-mm Multifunction Printer

Accessories

B3Q37A HP DesignJet 36-in Spindle
N7P47AA HP USB 3.0 to Gigabit LAN Adapter
N9M07A HP DesignJet Rugged Case

Original HP printheads

F9J81A HP 729 DesignJet Printhead Replacement Kit

Original HP ink cartridges

F9J61A HP 728 40-ml Yellow DesignJet Ink Cartridge
F9J62A HP 728 40-ml Magenta DesignJet Ink Cartridge
F9J63A HP 728 40-ml Cyan DesignJet Ink Cartridge
F9J64A HP 728 69-ml Matte Black DesignJet Ink Cartridge
F9J65A HP 728 130-ml Yellow DesignJet Ink Cartridge
F9J66A HP 728 130-ml Magenta DesignJet Ink Cartridge
F9J67A HP 728 130-ml Cyan DesignJet Ink Cartridge
F9J68A HP 728 300-ml Matte Black DesignJet Ink Cartridge
F9K15A HP 728 300-ml Yellow DesignJet Ink Cartridge
F9K16A HP 728 300-ml Magenta DesignJet Ink Cartridge
F9K17A HP 728 300-ml Cyan DesignJet Ink Cartridge

Dynamic security enabled printer. Only intended to be used with cartridges using an HP original chip. Cartridges using a non-HP chip may not work, and those that work today may not work in the future.

More at:

<http://www.hp.com/go/learnaboutsupplies>

Original HP large format printing materials

C6036A HP Bright White Inkjet Paper-914 mm x 45.7 m
Q1397A HP Universal Bond Paper-914 mm x 45.7 m (36 in x 150 ft)
Q6575A HP Universal Instant-dry Gloss Photo Paper-914 mm x 30.5 m (36 in x 100 ft)

Service and Support

UC744E HP Installation Service with Network Setup
U1XV4E HP Preventive Maintenance Service
UBPH3E HP 3 year Next business day DesignJet T830 Hardware Support
UBTY9E HP 4 year Next business day DesignJet T830 Hardware Support
UBPH4E HP 5 year Next business day DesignJet T830 Hardware Support
UBPH5PE HP 1 year Post Warranty Next business day DesignJet T830 Hardware Support
UBT20PE HP 2 year Post Warranty Next business day DesignJet T830 Hardware Support

HP DesignJet Support Services offer solutions for business critical environments—installation, extended support and maintenance, as well as variety of value-added services. For more information, please visit hp.com/go/designjetsupport.

Use Original HP inks and printheads to experience consistent high quality and reliable performance that enable less downtime. These critical components are designed and engineered together as an optimized printing system to provide precise line accuracy as well as dark blacks and true neutral grays. For more information, visit hp.com/go/OriginalHPInks.

For the entire HP Large Format Printing Materials portfolio, please see HPLFMedia.com.

Eco Highlights

ENERGY STAR® certified and EPEAT Silver registered¹
Free, convenient HP ink cartridge recycling²
FSC®-certified papers³ and a range of recyclable HP media with a take-back programme²

¹ EPEAT registered where applicable and/or supported. See <http://www.epeat.net> for registration status by country.

² Programme availability varies. Please check <http://www.hp.com/recycle> for details. Many HP printing materials are recyclable through commonly available recycling programmes. For information about HP large format printing materials, please visit <http://www.HPLFMedia.com>.

³ BMG trademark license code FSC®-C115319, see <http://www.fsc.org>. HP trademark license code FSC®-C017543, see <http://www.fsc.org>. Not all FSC®-certified products are available in all regions. For information about HP large format printing materials, please visit <http://www.HPLFMedia.com>.

Please recycle large-format printing hardware and printing supplies. Find out how at our website

hp.com/ecosolutions

¹ Mechanical printing time

² ±0.1% of the specified vector length or ±0.2 mm (whichever greater) at 23°C (73°F), 50-60% relative humidity, on A0/E HP Heavyweight media in Best or Normal mode with Original HP inks

³ Measured on HP Matte Film

