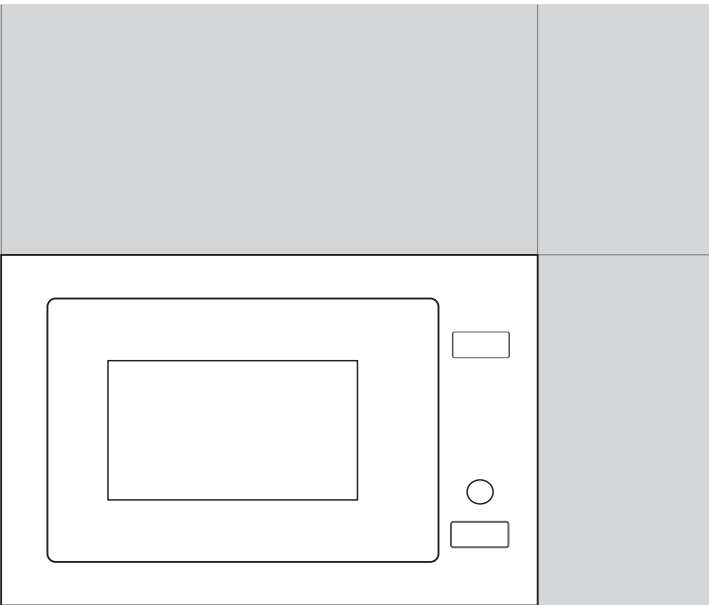


EN

Hisense



HB25MOBX7GUK

Microwave oven

Dear Customer

We sincerely thank you for your purchase. We believe you will soon find ample evidence that you can really rely on our products. To make the use of the appliance easier, we attach these comprehensive instruction manual.

The instructions should aid you in getting familiar with your new appliance. Please, read them carefully before using the appliance for the first time.

In any case, please make sure the appliance was supplied to you undamaged. Should you identify and transport damage, contact your sales representative or the regional warehouse from where the product was delivered. You will find the telephone number on the receipt or delivery report.

We wish you a lot of pleasure with your new household appliance.



The appliance for household use for heating food and beverages using electromagnetic energy, for indoor use only.

Instructions for Use

These instructions are intended for the user. They describe the cooker and how to use it. They also apply to different types of appliances, therefore you may find some descriptions of functions that may not apply to your appliance.

We reserve the right to any changes and errors in the instructions for use.

Important safety instructions



Never touch the surfaces of heating or cooking appliances. They will become hot during operation. Keep children at a safe distance. There is a risk of burning!



Microwave energy & High voltage! Do not remove the cover.

WARNING! The appliance and its accessible parts become hot during use. Care should be taken to avoid touching heating elements. Children less than 8 years of age shall be kept away unless continuously supervised. Children should be supervised to ensure that they do not play with the appliance.

This appliance can be used by children aged from 8 years and above and persons with reduced physical, sensory or mental capabilities or lack of experience and knowledge if they have been given supervision or instruction concerning use of the appliance in a safe way and understand the hazards involved. Children shall not play with the appliance. Cleaning and maintenance shall not be made by children unless they are older than 8 and supervised.

Keep the appliance and its cord out of reach of children less than 8 years.

- **WARNING:** When the appliance is operated in the combination mode, children should only use the oven under adult supervision due to the temperatures generated; (Only for the model with grill function).
- **WARNING:** If the door or door seals are damaged, the oven must not be operated until it has been repaired by a competent person.

- **WARNING:** It is hazardous for anyone other than a competent person to carry out any service or repair operation that involves the removal of a cover which gives protection against exposure to microwave energy;
- **WARNING:** liquids and other foods must not be heated in sealed containers since they are liable to explode.
- Children should be supervised to ensure that they do not play with the appliance.
- Don't remove oven's feet, do not block air vents of the oven.
- Only use utensils that are suitable for use in microwave ovens.
- When heating food in plastic or paper containers, keep an eye on the oven due to the possibility of ignition;
- If smoke is observed, switch off or unplug the appliance and keep the door closed in order to stifle any flames;
- Microwave heating of beverages can result in delayed eruptive boiling, therefore care must be taken when handling the container;
- The contents of feeding bottles and baby food jars shall be stirred or shaken and the temperature checked before consumption, in order to avoid burns;
- Eggs in their shell and whole hard-boiled eggs should not be heated in microwave ovens since they may explode, even after microwave heating has ended;
- When cleaning surfaces of door, door seal, cavity of the oven, use only mild, nonabrasive soaps, or detergents applied with a sponge or soft cloth.
- The oven should be cleaned regularly and any food deposits removed;
- Failure to maintain the oven in a clean condition could lead to deterioration of the surface that could adversely affect the life of the appliance and possibly result in a hazardous situation;
- If the supply cord is damaged, it must be replaced by the manufacturer, its service agent or similarly qualified persons in order to avoid a hazard.
- Do not let the cord hang over the edge of the table or worktop.
- Never connect this appliance to an external timer switch or remote control system in order to avoid a hazardous situation.
- Never replace the light bulb inside the oven. It must always be replaced by Hisense service.
- Do not clean the appliance with steam cleaners, high-pressure cleaners, sharp objects, abrasive cleaning agents, and abrasive sponges and stain removers.

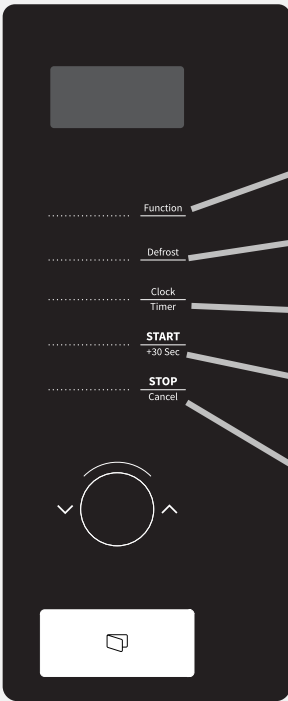
Listed below are, as with all appliances, certain rules to follow and safeguards to assure top performance from this oven:

1. Always have the glass tray, roller arms, coupling and roller track in place when operating the oven.
2. Do not use the oven for any reason other than food preparation, such as for drying clothes, paper, or any other nonfood items, or for sterilizing purposes.
3. Do not operate the oven when empty. This could damage the oven.
4. Do not use the oven cavity for any type of storage, such as papers, cookbooks, etc.
5. Do not cook any food surrounded by a membrane, such as egg yolks, potatoes, chicken livers, etc without first being pierced several times with a fork.
6. Do not insert any object into the openings on the outer case.
7. Do not at any time remove parts from the oven such as the feet, coupling, screws, etc.
8. Do not cook food directly on the glass tray. Place food in/on proper cooking utensil before placing in the oven.

IMPORTANT-COOKWARE NOT TO USE IN YOUR MICROWAVE OVEN

- Do not use metal pans or dishes with metal handles.
 - Do not use anything with metal trim.
 - Do not use paper covered wire twist-ties on plastic bags.
 - Do not use melamine dishes as they contain a material which will absorb microwave energy. This may cause the dishes to crack or char and will slow down the cooking speed.
 - Do not use Centura Tableware. The glaze is not suitable for microwave use. Corelle Livingware closed handle cups should not be used.
 - Do not cook in a container with a restricted opening, such as a pop bottle or sealed oil bottle, as they may explode if heated in a microwave oven.
 - Do not use conventional meat or candy thermometers.
 - There are the thermometers available specifically for microwave cooking. These may be used.
9. Microwave utensils should be used only in accordance with manufacturer's instructions.
 10. Do not attempt to deep-fry foods in this oven.
 11. Please remember that a microwave oven only heats the liquid in a container rather than the container itself. Therefore, even though the lid of a container is not hot to the touch when removed from the oven, please remember that the food/liquid inside will be releasing the same amount of steam and/or spitting when the lid is removed as in conventional cooking.
 - 12 Always test the temperature of cooked food yourself especially if you are heating or cooking food/liquid for babies. It is advisable never to consume food/liquid straight from the oven but allow it to stand for a few minutes and stir food/liquid to distribute heat evenly.
 - 13 Food containing a mixture of fat and water, e.g.stock,should stand for 30-60 seconds in the oven after it has been turned off. This is to allow the mixture to settle and to prevent bubbling when a spoon is placed in the food/liquid or a stock cube is added.
 14. When preparing/cooking food/liquid and remember that there are certain foods, e.g. Christmas puddings, jam and mincemeat, which heat up very quickly. When heating or cooking foods with a high fat or sugar content do not use plastic containers.
 15. Cooking utensil may become hot because of heat transferred from the heated food. This is especially true if plastic wrap has been covering the top and handles of the utensil. Potholders may be needed to handle the utensil.
 16. To reduce the risk of fire in the oven cavity:
 - a) Do not overcook food. Carefully attend microwave oven if paper, plastic, or other combustible materials are placed inside the oven to facilitate cooking.
 - b) Remove wire twist-ties from bags before placing bag in oven.
 - c) If materials inside the oven should ignite, keep oven door closed, turn the oven off at the wall switch, or shut off power at the fuse or circuit breaker panel.

CONTROL PANEL



DISPLAY

Function (microwave power level, grill or combination functions)

Defrost (Weight or Time defrost)

Clock / Timer (setting the clock or countdown timer)

START / +30 Sec (Quick start, start the program, extend the program)

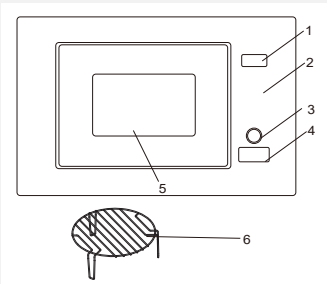
STOP / Cancel (to stop or cancel the program/setting)

Knob

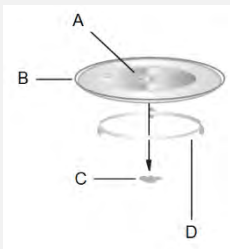
∨ decrease time/weight, access to the timer

∧ increase time/weight, access to the automenu

BUTTON FOR DOOR OPENING



1. Display window
2. Control panel
3. Rotary knob
4. Button decoration
5. Observation window
6. Grill rack



A-glass tray; **B**-hub (under); **C**-turntable shaft; **D**-turntable ring

- Never place the glass tray upside down. The glass tray should never be blocked.
- Both glass tray and turntable ring assembly must be always used during cooking.
- Food and containers of food must be always placed on the glass tray for cooking.
- If glass tray or turntable ring assembly is damaged or broken, contact your nearest authorized service center.

Operation instructions

This microwave oven uses modern electronic control to adjust cooking parameters to meet your needs better for cooking.

1. Clock Setting

When the microwave oven is electrified, the oven will display "0:00", buzzer will ring once.

1. Press "**CLOCK/TIMER**" once and then "0:00" will display.
2. Turn the **Knob** to set the hour figures. The time should be within 0-23.
3. Press "**CLOCK/TIMER**" to confirm.
4. Turn the "**Knob**" to set the minute figures. The time should be within 0-59.
5. Press "**START/+30 Sec**" to confirm. The clock is set.

Note:

- If the clock is not set, it would not work when powered.
- In the process of clock setting, if the "**STOP/CANCEL**" button is pressed or if there is no operation within 1 minute, the oven will return to the former setting.

2. Kitchen Timer Setting

1. Press "**CLOCK/TIMER**" twice and then "00:00" will display.
2. Turn "**Knob**" to enter the timer time. The maximum cooking time is 95 minutes.
3. Press "**START/+30 Sec**" to confirm setting. The timer starts counting down

Note:

- The kitchen timer is a timer. There is no any other program during the kitchen timer
- Opening the door can not interrupt the kitchen timer

3. "START/+30SEC." (Quick start)

1. In waiting state, press "**START/+30 Sec.**" to cook food with 100% power level for 30 seconds. Each press on the same key can increase 30 seconds.
2. Press "**START/+30 Sec.**" can increase the cooking time by 30 seconds during the microwave cooking or time defrost.

Note:

- Opening the oven door or press "**STOP/CANCEL**" could pause the current program.
- Quick start cannot be set in weight defrost, kitchen timer and auto menu.

4. Microwave Cooking

1. Press "**FUNCTION**" once to start Microwave Cooking with default power level P100..
2. Press "**FUNCTION**" repeatedly or turn "**Knob**" to select the power level: "P100", "P80", "P50", "P30", "P10" will be display in order.

Operation instructions

3. Press "**START/+30 Sec**" to confirm.
4. Turn "**Knob**" to adjust the cooking time. (The time setting should be 0:05- 95:00.)
5. Press "**START/+30 Sec**" to start cooking.

Note:

- Opening the oven door or pressing "**STOP/CANCEL**" during operation will interrupt the current mode.
- Press "**FUNCTION**" to require the current mode.

Microwave Power	100%	80%	50%	30%	10%
Microwave Power	900W	720W	450W	270W	90W
Display	P100	P80	P50	P30	P10

5. Grill Cooking

1. Press "**FUNCTION**" once to start Microwave Cooking with default power level P100.
2. Press "**FUNCTION**" repeatedly or turn the "**Knob**" to select "G".
3. Press "**START/+30 Sec**" to confirm.
4. Turn the "**Knob**" to adjust the cooking time.
5. Press "**START/+30 Sec**" to start cooking.

Note:

- Opening the oven door or pressing "**STOP/CANCEL**" during operation will interrupt the current mode.
- Press "**FUNCTION**" to require the current mode
- When half of the time has passed, the buzzer will sound to remind you to turn the food over. If no operation, the oven will continue working.

6. Combination Cooking

1. Press "**FUNCTION**" once to start Microwave Cooking with default power level P100.
2. Press "**FUNCTION**" repeatedly or turn the "**Knob**" to select "**C-1**" or "**C-2**".

Operation instructions

4. Press "**START/+30 Sec**" to confirm.
5. Turn the "**Knob**" to adjust the cooking time.
6. Press "**START/+30 Sec**" to start cooking.

Note:

- Opening the oven door or pressing "**STOP/CANCEL**" during operation will interrupt the current mode.
- Press "**FUNCTION**" to require the current mode

Function	Display	MW Power	Grill Power
Combi. 1	C - 1	55%	45%
Combi. 2	C - 2	36%	64%

7. Defrost By Weight

1. Press "**Defrost**" once, the screen will display "**dEF1**".
2. Turn "**Knob**" to select the food weight. The range of weight is 100-2000g.
3. Press "**START/+30 Sec**" key to start defrosting.
4. Once defrosting has finished, the buzzer will sound five times.

Note:

- Opening the oven door or pressing "**STOP/CANCEL**" during operation will interrupt the current mode.

8. Defrost By Time

1. Press "**Defrost**" twice, the screen will display "**dEF2**".
2. Turn "**Knob**" to select the cooking time. The maximum defrosting time is 95min.
3. Press "**START/+30 Sec**" key to start defrosting.
4. Once defrosting has finished, the buzzer will sound five times

Note:

- The cooking time can be added by pressing "**START/+30 Sec**" during defrosting

9. Multi-Stage Cooking

Two stages can be maximumly set. If you set defrost function, it will work automatically in the first stage.

The buzzer will ring once after each stage and the next stage will begin.

Note: Auto menu cannot be set as one of the multi-stage.

Example: if you want to defrost the food for 5 minutes, then to cook with 80% microwave power for 7 minutes.

1. Press "**Defrost**" twice, the screen will display "**dEF2**".
2. Turn "**Knob**" to adjust the defrost time.
3. Press "**FUNCTION**" – "P100" will display.
4. Turn "**Knob**" to choose 80% microwave power till "P80" displays.
5. Press "**START/+30 Sec**" to confirm.
6. Turn "**Knob**" to adjust the cooking time of 7 minutes.
7. Press "**START/+30 Sec**" to start cooking

Operation instructions

10. Auto Menu

1. In standby mode, turn "Knob" right to choose the menu from "A-1" to "A-8";
2. Press "START/+30 Sec" to confirm the menu you choose;
3. Turn "Knob" to choose the food weight;
4. Press "START/+30 Sec" to start cooking;
5. After cooking finishes, the buzzer sounds five times.

Note:

- Opening the oven door or pressing "STOP/CANCEL" during operation will interrupt the current mode.
- It is necessary to turn the "Knob" right first in the waiting state for selecting "Auto Menu".
- Turning the "Knob" left first will enter the cooking time of speed cooking.

Auto menu chart

Menu	Weight	Display
A-1 Pizza	200g	200
	400g	400
A-2 Meat	250g	250
	350g	350
	450g	450
A-3 Vegetable	200g	200
	300g	300
	400g	400
A-4 Pasta	50g (with cold water 450g)	50
	100g (with cold water 800g)	100
A-5 Potato	200g	200
	400g	400
	600g	600
A-6 Fish	250g	250
	350g	350
	450g	450
A-7 Beverage	1 (about 120ml)	1
	2 (about 240ml)	2
	3 (about 360ml)	3
A-8 Popcorn	50g	50
	100g	100

Operation instructions

11. Childlock function

You can use this function to prevent children from accidentally turning the oven on.

- To activate the lock:
In waiting state, press and hold "**STOP/CANCEL**" for three seconds. A long beep sounds, the current time or "**[: :]**" displays, and the locked icon will display.
- To deactivate the lock:
In locked state, press and hold "**STOP/CANCEL**" for three seconds. A long beep sounds.

Care of your microwave oven

1. Turn the oven off and remove the power plug from the wall socket before cleaning.
2. Keep the inside of the oven clean. When food splatters of spilled liquids adhere to oven walls, wipe with a damp cloth. The use of harsh detergent or abrasives is not recommended.
3. The outside oven surface should be cleaned with a damp cloth. To prevent damage to the operating parts inside the oven, water should not be allowed to seep into the ventilation openings.
4. Do not allow the Control Panel to become wet. Clean with a soft, damp cloth, Do not use detergents, abrasives or sprayon cleaners on the control panel.
5. If steam accumulates inside or around the outside of the oven door, wipe with a soft cloth. This may occur when the microwave oven is operated under high humidity conditions and in no way indicates malfunction of the unit.
6. It is occasionally necessary to remove the glass tray for cleaning. Wash the tray in warm sudsy water or in a dishwasher.
7. The roller ring and oven cavity floor should be cleaned regularly to avoid excessive noise. Simply wipe the bottom surface of the oven with mild detergent, water or window cleaner and dry. The roller ring may be washed in mild sudsy water or dish washer. Cooking vapours collect during repeated use but in no way affect the bottom surface or roller ring wheels. When removing the roller ring from cavity floor for cleaning, be sure to replace it in the proper position.
8. Remove odors from your oven by combining a cup of water with the juice and skin of one lemon in a deep microwavable bowl. Microwave for 5 minutes, wipe thoroughly and dry with a soft cloth.

Environment

Do not throw away the appliance with the normal household waste at the end of its life, but hand it in at an official collection point for recycling. By doing this, you help to preserve the environment.

Installation instructions

1. Make sure all the packing materials are removed from the inside of the door.
2. Inspect the oven after unpacking for any visual damage such as:
 - Misaligned Door
 - Damaged Door
 - Dents or Holes in Door Window and Screen
 - Dents in Cavity
3. If any of the above are visible, DO NOT use the oven.
4. This Microwave Oven weighs app. 19,5 kg and must be placed on a horizontal surface strong enough to support this weight.
5. The oven must be placed away from high temperature and steam.
6. DO NOT place anything on top of the oven.
7. DO NOT remove the turn - table drive shaft.
8. As with any appliance, close supervision is necessary when used by children.
9. Make sure that the AC outlet is easily accessible so that the plug can be removed quickly in an emergency. Otherwise, it should be possible to disconnect the device using a switch from the circuit. In this case, the existing provisions of the electrical safety standards are considered. The product has to be correctly installed on earthed socket with a single-phase AC (230 V~50 Hz).

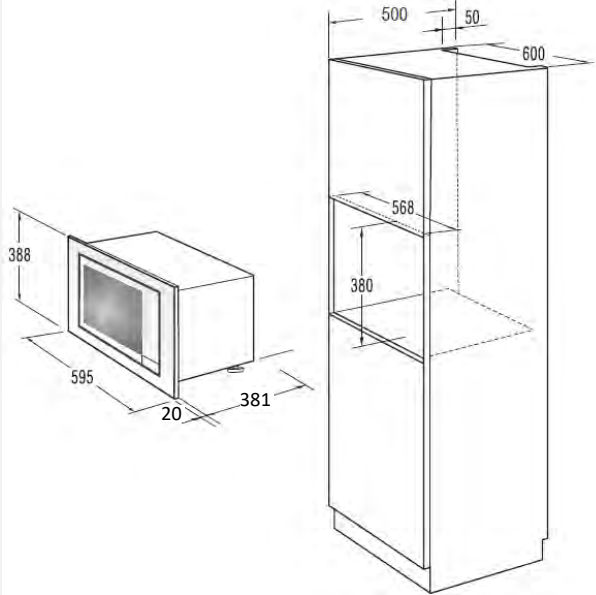
WARNING! THIS APPLIANCE MUST BE EARTHED!

10. This oven requires 1.45 kW for its input. A consultation with a service engineer is suggested when installing the oven.

Installation instructions

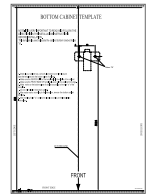
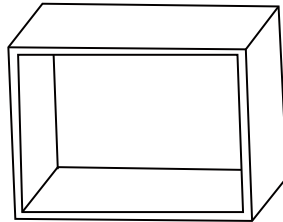
Built-in cupboard

The dimensions in the figures are in mm.

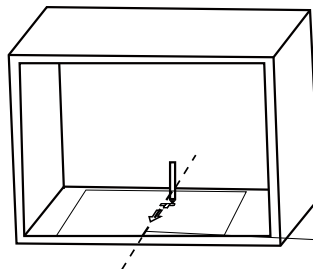


Prepare the cupboard

1. Put the template on the bottom of the cupboard.



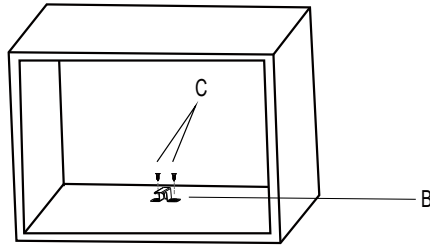
2. Make the marks on the bottom of the cupboard according to marks "a" on the template



A center line
B bracket
C screws

Installation instructions

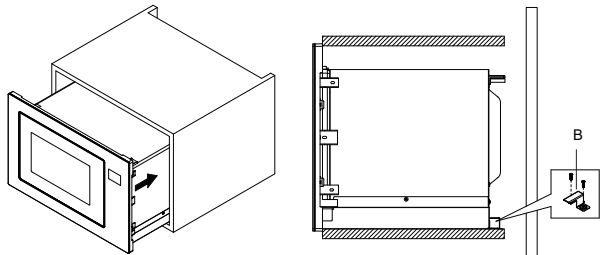
3. Remove the bottom cupboard template and fix the bracket with screws



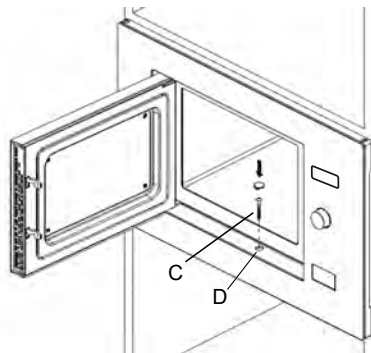
Install the oven

4. Install the oven into the cupboard

- Make sure the back of the oven is locked with bracket.
- Do not cut the power cord.



5. Open the door, fix the oven to the cupboard with screw (C), at the installation hole.
- Then fix the Trim-kit plastic cover to the installation hole (D).



Specifications

Rated Voltage/Frequency	230V~50Hz, 1450W
Output power	900W
Grill heater	1000W
Operating frequency	2450MHz
Outside Dimensions	595mm(W)x388mm(H)x401mm(D)
Oven Capacity	25 litres
Uncrated Weight	Approx. 18,55 kg
Noise level	Lc < 63 dB (A)
Turntable diameter	315 mm

Energy consumption

Product information for power consumption and maximum time to reach applicable low power mode.

Standby mode	0.8 W
The maximum time needed for the microwave oven to automatically reach the applicable low power mode or condition.	20 minutes



According to Waste of Electrical and Electronic Equipment (WEEE) directive, WEEE should be separately collected and treated. If at any time in future you need to dispose of this product please do NOT dispose of this product with household waste. Please send this product to WEEE collecting points where available.

Normal Trouble shooting	
Microwave oven interfering TV reception	Radio and TV reception may be interfered when microwave oven operating. It is similar to the interference of small electrical appliances, like mixer, vacuum cleaner, and electric fan. It is normal.
Dim oven light	In low power microwave cooking, oven light may become dim. It is normal.
Steam accumulating on door, hot air out of vents	In cooking, steam may come out of food. Most will get out from vents. But some may accumulate on cool place like oven door. It is normal.
Oven started accidentally with no food in.	It is forbidden to run the unit without any food inside. It is very dangerous.

Before you call for service

1. If the microwave oven will not perform at all, the information on the display does not appear or the display disappeared:

- Check to ensure that the oven is plugged in securely. If it is not, remove the plug from the outlet, wait 10 seconds and plug it in again securely.
- Check the premises for a blown circuit fuse or a tripped main circuit breaker. If these seem to be operating properly, test the outlet with another appliance.

2. If the microwave power will not function:

- Check to see whether the timer is set.
- Check to make sure that the door is securely closed to engage the safety interlocks. Otherwise, the microwave energy will not flow into the oven.

If none of the above rectify the situation, then contact the nearest authorized service agent.

The appliance for household use for heating food and beverages using electromagnetic energy, for indoor use only.

Problem	Possible cause	Solution
Oven can not be started.	Power cord not plugged in.	Unplug. Then plug again after 10 sec.
	Broken fuse.	Replace fuse or reset.
	Problem with electrical supply.	Test electrical supply with other electrical appliances.
Oven does not heat.	Door are not closed.	Close the door.
Glass turntable makes noise while oven is operating.	Dirty wheels and oven bottom.	Read »Care of your microwave« and clean the ovens dirty parts.

Guarantee & service

If you need information or if you have a problem, please contact the Hisense Customer Care Centre in your country you find its phone number in the worldwide guarantee leaflet). If there is no Customer Care Centre in your country, go to your local Hisense dealer or contact the Service department of Hisense domestic appliances.

For personal use only!

WISHES YOU A LOT OF PLEASURE WHILE USING YOUR APPLIANCE

Hisense
life reimagined

