

36" Electric Cooktop

- Radiant Cooktop with 5 Elements
- Steady Heat Elements
- Triple 12" / 9" / 6" Element
- Bridge Element
- Warming Function
- Premium Stainless Steel Trim
- Intuitive SmoothTouch™ Glass Controls



COLOR AVAILABILITY

- LSCE365ST – Black Glass w/Stainless Steel Frame

COOKTOP FEATURES

Cooktop Type	Radiant
Number of Elements	5 (Plus Bridge Element)
Element Size / Wattage	
Left Front	7" - 1,800W
Left Rear	7" - 1,800W
Center	Triple 12" / 9" / 6" - 3,000W / 2,200W / 1,100W
Right Front	Dual 9" / 6" - 3,000W / 1,400W
Right Rear	6" - 100W Warming Zone
Bridge	7" - 800W
Hot Surface LED Indicator	Yes
Auto Shut Off	Yes
Warm Function	Yes
Power Control	Steady Heat

CONTROLS

Cooktop Control Type	SmoothTouch™ Glass (Front)
Control Lock	Yes

CONVENIENCE

ADA Compliant	Yes
---------------	-----

SMART FEATURES

Wi-Fi Enabled	No
ThinQ® Technology	No
SmartDiagnosis™	No

FINISHES AND APPEARANCE

Cooktop Surface	Black Ceramic Glass
Cooktop Frame / Trim	Stainless Steel

TECHNICAL SPECS

Required Power Supply	240 / 208 V, 60 Hz, 3-Wire or 4-Wire
Minimum Circuit Rating	50 Amp
kW Rating at 208V	7.9 kW
kW Rating at 240V	10.5 kW
Power Cord / Cable	Not Included
Power Cable Location	Right Rear

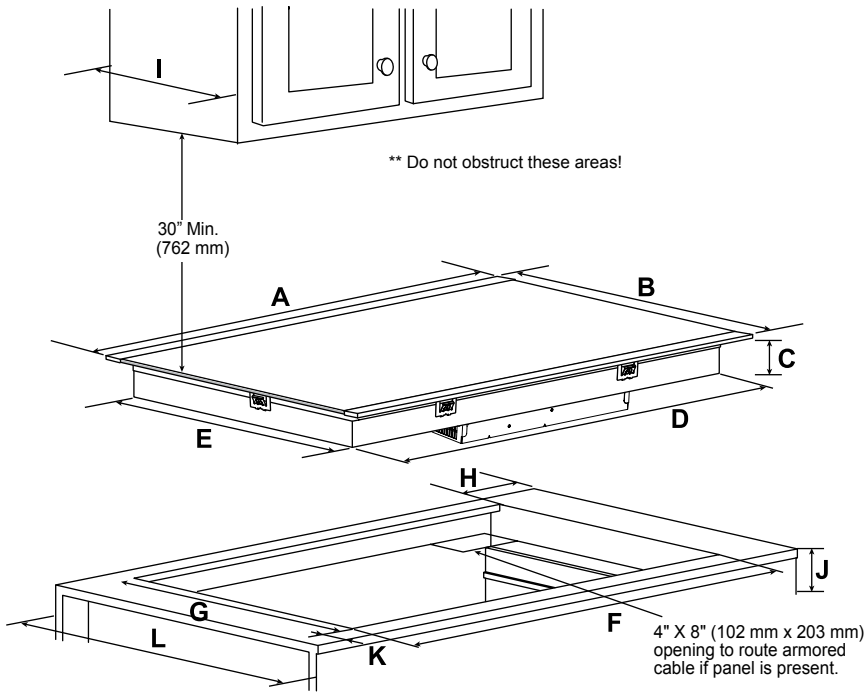
DIMENSIONS / CLEARANCES / WEIGHTS

Product Dimensions (W x H x D)	36 11/16" x 4" x 22 15/32"
Cutout Dimensions (W x D)	34 9/16" x 20 3/8"
Carton Dimensions (W x H x D)	40" x 6" x 25"
Approx. Weight (Product / Carton)	43 lbs. / 50 lbs.

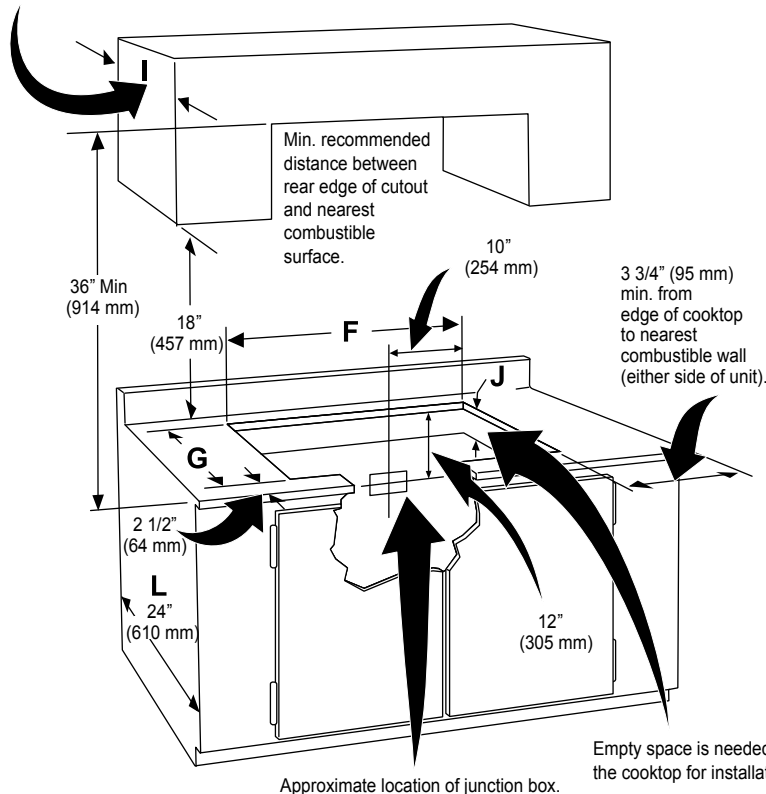
LIMITED WARRANTY

Parts and Labor	2 Years
Cooktop and Coils, Parts Only	5 Years

DIMENSIONS / CLEARANCES



Overhead cabinet should not exceed a maximum depth of 13" (330 mm).



DIMENSIONS / CLEARANCES

A	36 11/16" (932 mm)
B	22 15/32" (571 mm)
C	3 3/4" (95 mm)
D	33 27/32" (860 mm)
E	19 25/32" (502 mm)
F	34 9/16" Minimum (878 mm)
G	20 3/8" Minimum (517 mm)
H	13/16" (20 mm)
I	13" Maximum (330 mm)
J	5 23/32" Minimum (145 mm)
K	2 1/2" (64 mm)
L	24" (610 mm)

INSTALLATION NOTES

- Allow 2" (50 mm) space below the armored cable opening to clear the electric cable and allow space for installation of the junction box on the wall at the back of the cooktop.
- Make sure the cabinets and wall coverings around the cooktop can withstand the temperatures up to 200°F generated by the cooktop.
- To eliminate the risk of burns or fire by reaching over heated surfaces, cabinet storage space located above the cooktop should be avoided. If cabinet storage is provided, risk can be reduced by installing a range hood that projects horizontally a minimum of 5" (127 mm) beyond the face of the cabinets.
- It is very important to keep 2 3/4" (70 mm) distance between the cooktop and the oven.

Recommend space cooktop and oven

