

**PHILIPS**

**hue** personal  
wireless  
lighting

**Infuse M**  
**Xamento M**



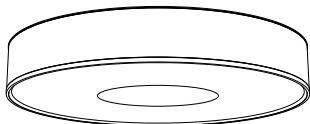
HUE serial number



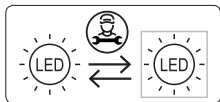
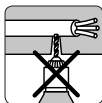
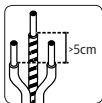
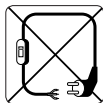
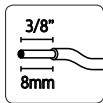
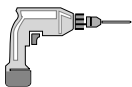
User manual  
Benutzerhandbuch  
Notice d'emploi  
Manual de usuario  
Manual do usuário  
Manuale d'uso

# Infuse M

Incl.

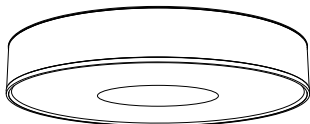


Excl.

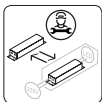
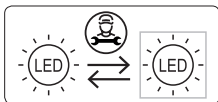
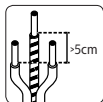
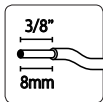
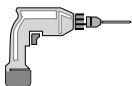


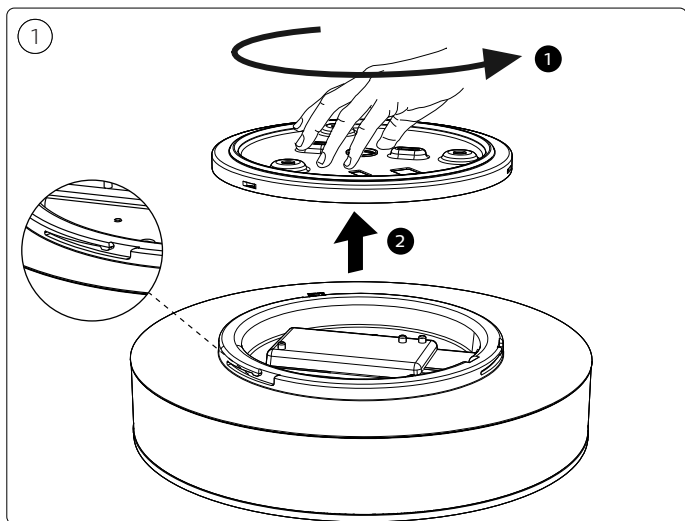
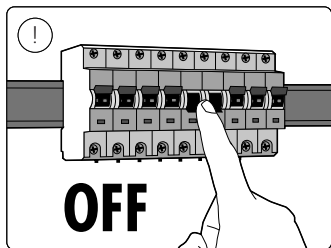
# Xamento M

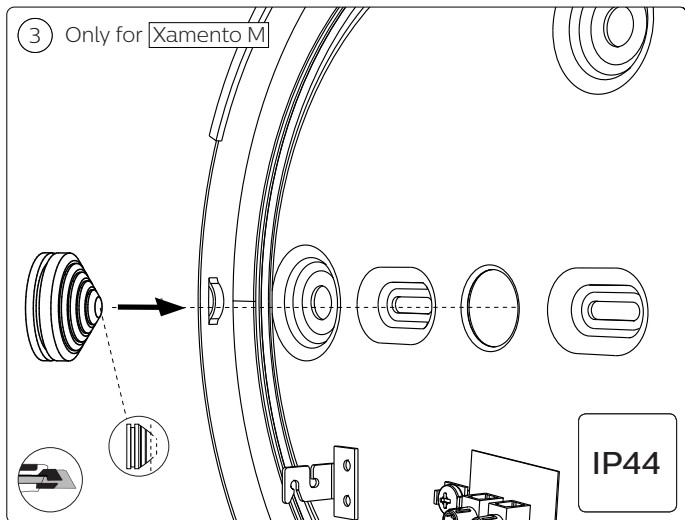
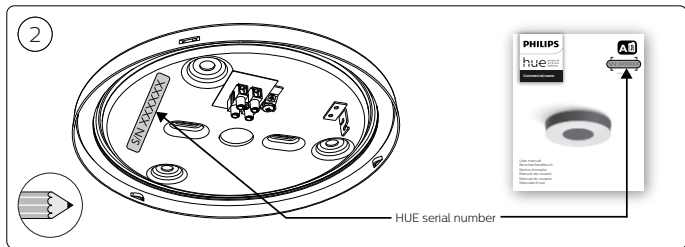
Incl.

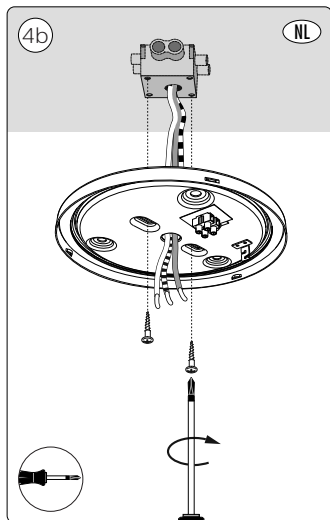
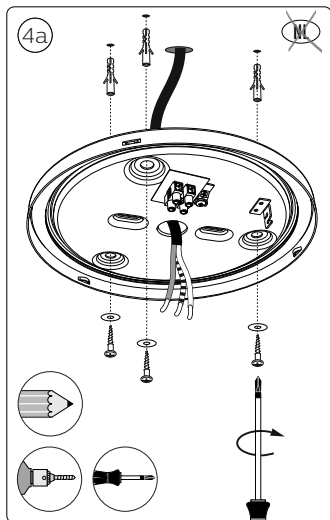


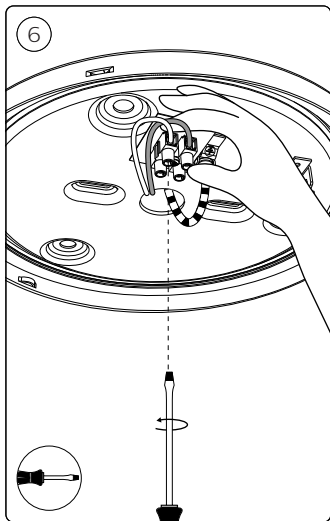
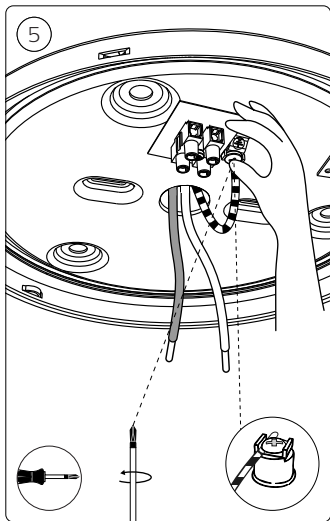
Excl.

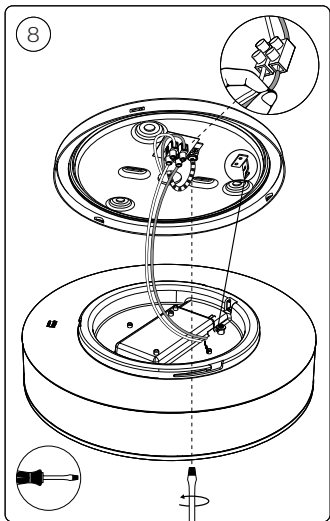
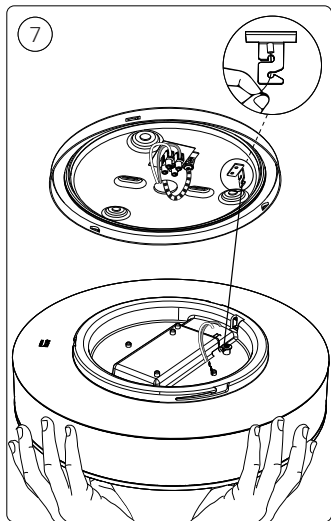






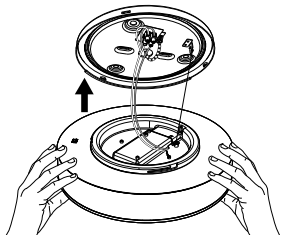




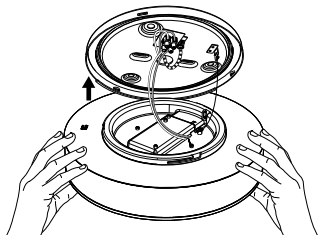




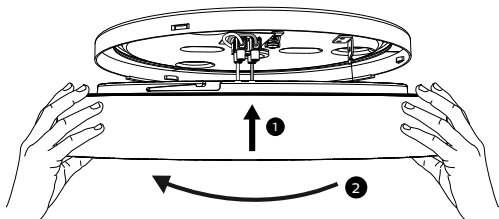
9a

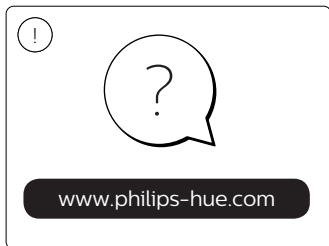
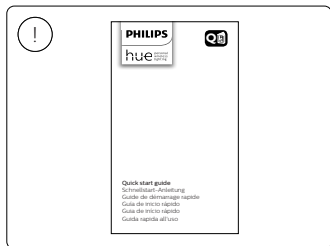
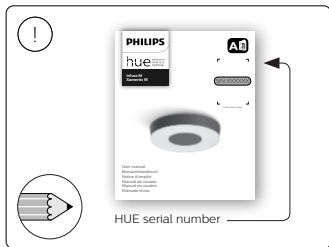
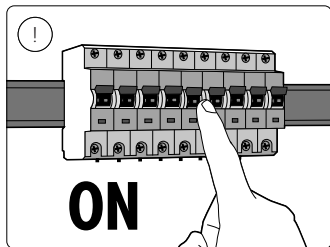


9b



9c









Signify  
I.B.R.S. / C.C.R.I. Numéro 10461  
5600 VB Eindhoven,  
the Netherlands  
☎00800-74454775

© 2021 Signify Holding  
All rights reserved

[www.philips-hue.com](http://www.philips-hue.com)

4422 954 80022  
Last update: 12/2021