

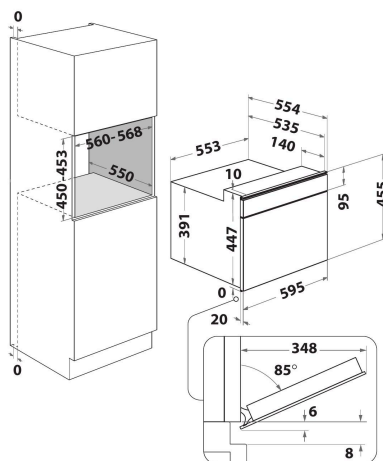
W7 MW461 UK

12NC: 859991544530

GTIN (EAN) code: 8003437396137

Whirlpool

SENSING THE DIFFERENCE



- 6TH Sense technology
- 6TH Sense CRISP Function with CRISP Plate
- 6th Sense Defrost
- Crisp Function
- Cavity 40 L
- Jet Defrost: fast reheating
- Forced Air
- Steam function
- Turbo Grill
- Steam&Boil (Built-in)
- CrispFry
- Bread Defrost function
- 900 W microwave
- Protruding handle
- 40 cm turntable
- Maximum dish diameter: 410 mm
- Full Touch Screen Control panel

Whirlpool built in microwave oven: stainless steel color - W7 MW461 UK

This Whirlpool built in Microwave Oven features: stainless steel color. Outstanding cavity size. Combination technology, providing the cooking flexibility of traditional ovens. Exclusive 6th SENSE technology, that automatically sets the time, temperature and energy consumption, during cooking. Crisp function, for unbeatably crisp quiches, pizzas and pies.

Crisp

Unbeatable crispness. This Whirlpool Microwave's Crisp function and dedicated pan ensures you can cook the crispiest pizza, pie or quiche, anytime.

Dual Crisp

Enjoy an unbeatable crispness outside and a delicious tenderness inside, with DualCrisp. An exclusive technology by Whirlpool. Two microwave emission points to completely enfold food and evenly cook it also from the bottom.

Steam

Healthy, steamed meals, anytime. Steam technology provides the healthiest, tastiest recipes, at the touch of a button.

6TH SENSE technology

Confident cooking. With 6TH SENSE technology, your microwave automatically sets the time, temperature and energy levels during the cooking process.

6TH SENSE technology W6 W7 Phoenix

No more guesswork. Simply pick your recipes, and let 6th SENSE cook them to perfection, every time. Up to 40 cooking combinations organized to fit your lifestyle and diet, for a full assisted cooking experience.

AssistedDisplay

The AssistedDisplay provides clear, common-sense instructions for easy microwave cooking. Complete with 18 capacitive touch sensors, dials with touch sensors, and organisable lists, the Assisted Display empowers consumers to achieve excellent results with step-by-step guidance, info, and alerts and savour the intuitive 6TH SENSE Cooking Combinations experience.

Steam&Boil

Harnessing the natural power of steam, this convenient programme keeps flavours and nutrients sealed in, and steams or boils food in a set of special accessories for easier preparation and faster, tastier results.

Crispfry

To cooks delicious dishes with a fried texture and taste, but with little or no oil so it is even healthier to use than a frying pan.

W7 MW461 UK

12NC: 859991544530

GTIN (EAN) code: 8003437396137

Whirlpool

SENSING THE DIFFERENCE

MAIN FEATURES

Product group	Microwave
Commercial code	W7 MW461 UK
Main colour of product	Stainless steel
Type of micro-wave oven	MW-Combi
Construction type	Built-in
Type of control	Electronic
Type of control settings	LCD
Additional cooking method Grill	Yes
Crisp	Yes
Steam	Yes
Additional cooking method Fan cooking	Yes
Clock	Yes
Automatic programmes	Yes
Height of the product	455
Width of the product	595
Depth of the product	560
Minimum niche height	450
Minimum niche width	556
Niche depth	550
Net weight (kg)	29.7
Cavity capacity (l)	40
Turntable	Yes
Turntable diameter (mm)	400
Integrated Cleaning system	No

TECHNICAL FEATURES

Current (A)	16
Voltage (V)	230
Frequency (Hz)	50
Length of Electrical Supply Cord (cm)	135
Plug type	UK
Timer	Yes
Grill power (W)	1600
Type of grill	Heating element
Cavity material	Stainless steel
Interior light	Yes
Additional cooking method Grill	Yes
Position of interior lights of the cavity	Right side
Maximum Air flow -	0
Minimum air flow -	0
Sound power at max. speed (2010/30/EU) -	0
Sound power at min. speed (2010/30/EU) -	0

PERFORMANCES

6th Sense / Dynamic Intelligence	6th Sense
Number of power levels	7
Maximum micro-wave power (W)	900
Bread defrost	Yes
Jet defrost	Yes
Jet start	No
Energy efficiency class - NEW (2010/30/EU) -	-